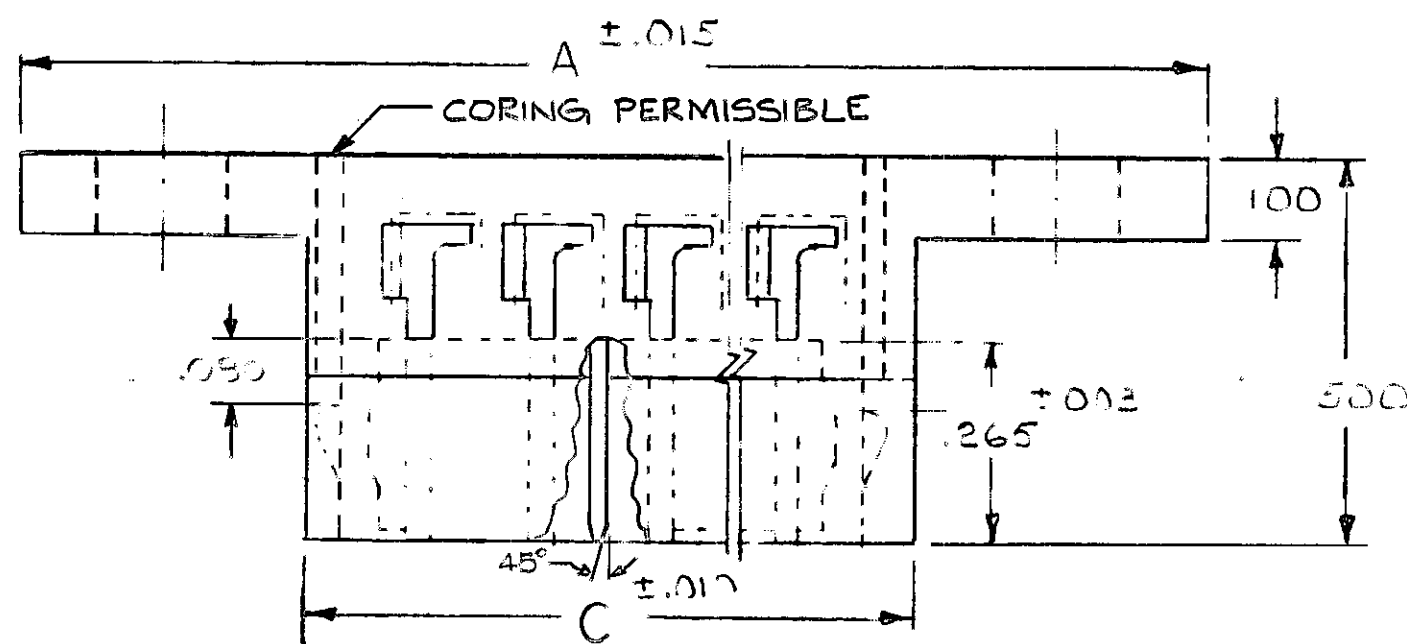


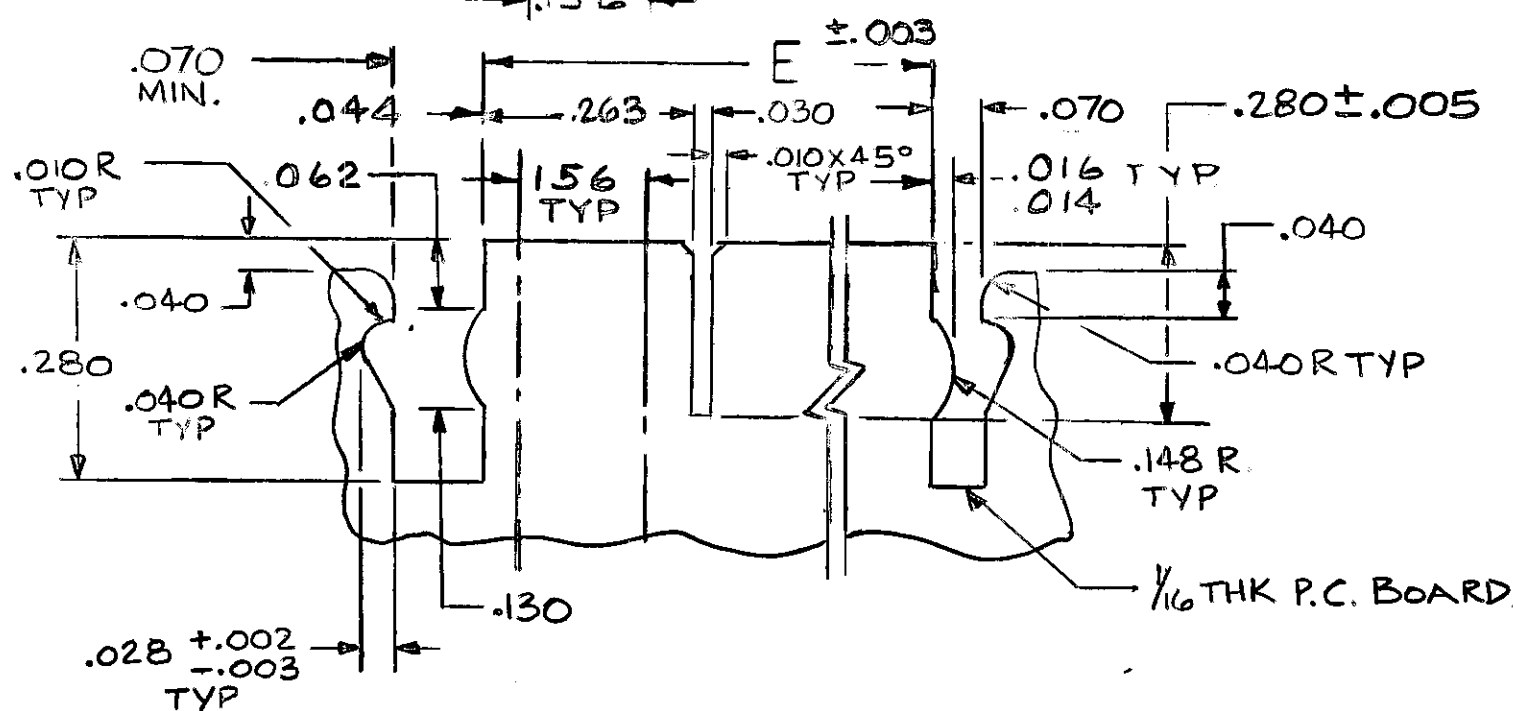
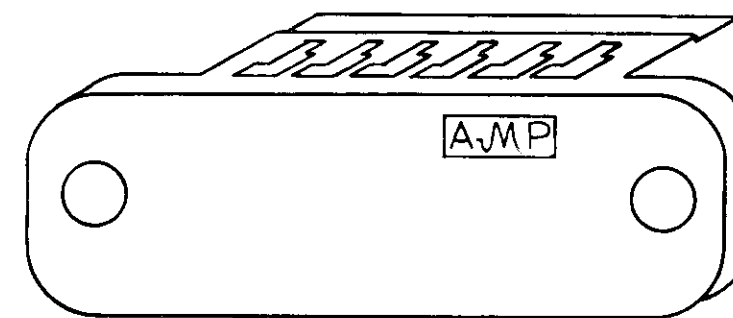
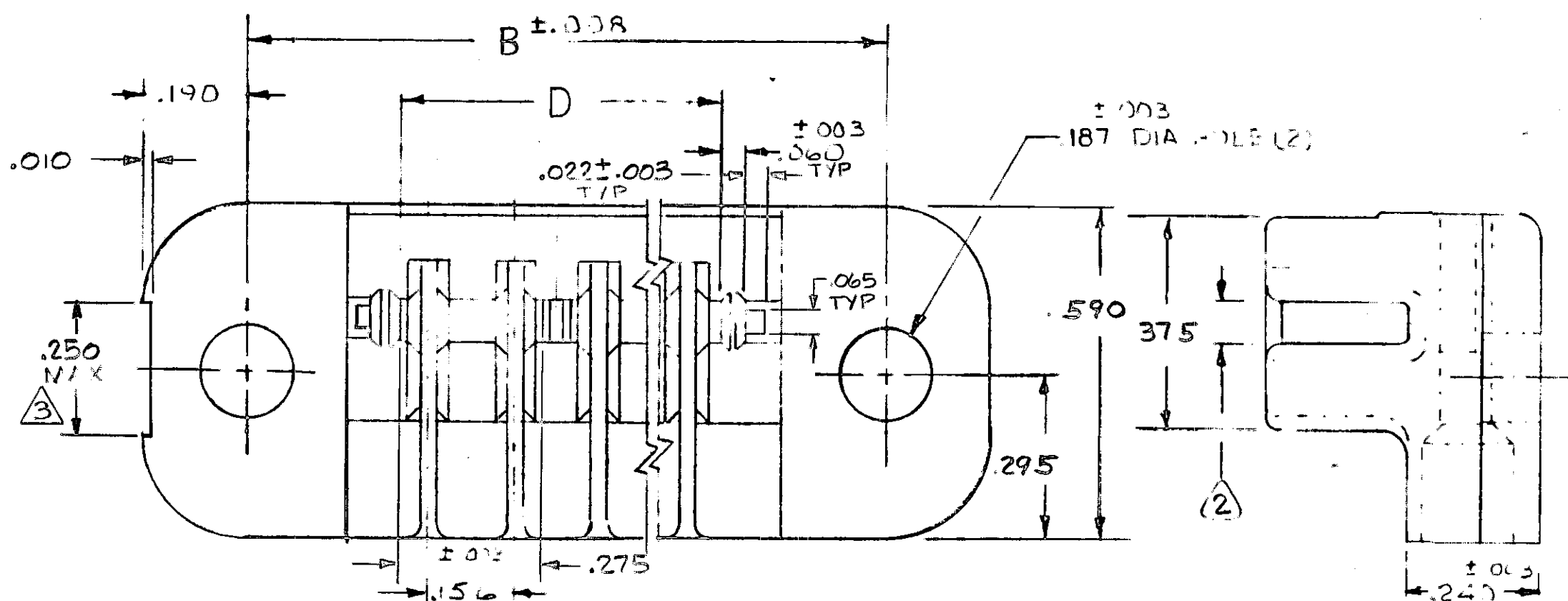
© COPYRIGHT 19 BY AMP INCORPORATED, HARRISBURG, PA.
ALL INTERNATIONAL RIGHTS RESERVED. AMP INCORPORATED PRODUCTS
COVERED BY U. S. AND FOREIGN PATENTS AND OR PATENTS PENDING.

Unpublished copy not to be reproduced without written permission of AMP

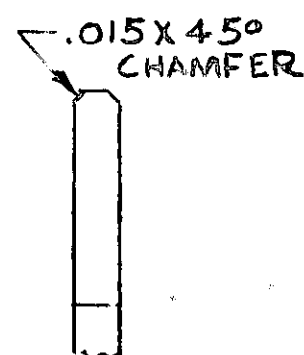
REVISIONS					
REV	ZONE	LTR	DESCRIPTION	DATE	APPROVED
✓		O	REL-1 PER 87-5125-101-02	9-5-85	HWK
✓		A	REV PER AD 1753	12-8-87	LEW
✓		B	REV PER AD 2044	12-8-87	LEW
✓		C	REV PER 0010-0551-94	6-9-71	HWK
✓		D	REV PER 0010-1143-95	11-95	PB



1 CARD EDGE AND MOUNTING HOLE DIMENSIONS TO BE CHECKED WITH HOUSING RESTRAINED AS MOUNTED
 2 FIT FOR .055- .070 P.C. BOARD
 3 SLOT OPTIONAL FIT FOR MOUNTING EAR



BOARD LAY OUT



1.337	1.350	1.560	1.940	2.320	9	650048-1
F	D	C	B	A	NO. OF POS	PART NO

UNLESS OTHERWISE SPECIFIED DIMENSIONS ARE IN INCHES TOLERANCES ON: DECIMALS .005 ANGLES .005	CONTRACT NO	AMP INCORPORATED Harrisburg Pa	
	DR <i>L. Wachman</i> 5/01/87	NAME HOUSING, DUO-TYNE FLAG WITH MOUNTING EARS.	
	CHK <i>Howard W. Dore</i> 5/18/87	SIZE CODE IDENT NO DRAWING NO C 00779 650048	
	MATERIAL NYLON	APPD <i>Howard W. Dore</i> 5/18/87	SCALE 1-1
FINISH	JSGN APPD	SHEET	
	OTHER APPD	CUSTOMER DR	