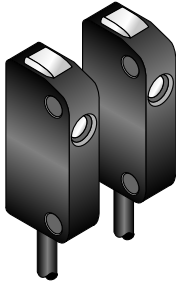


Datasheet

Miniature Self-Contained Opposed-Mode DC Photoelectric Sensors



- Self-contained dc sensors in miniature right-angle housings
- IEC IP54; NEMA 4 construction; hermetically-sealed optics
- 1.8 m (70 in) opposed range
- Choose models for light operate or dark operate; choose either NPN or PNP output models
- Choice of integral cable or quick-disconnect connector
- Mounting bracket is included



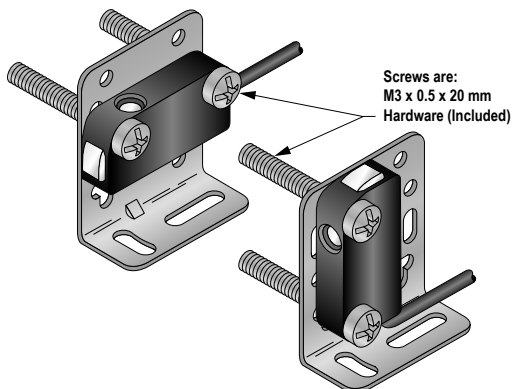
WARNING: Not To Be Used for Personnel Protection

Never use this device as a sensing device for personnel **protection**. Doing so could lead to serious injury or death. This device does not include the self-checking redundant circuitry necessary to allow its use in personnel safety applications. A sensor failure or malfunction can cause either an energized or de-energized sensor output condition.

Models

Models	Range	Cable ¹	Supply Voltage	NPN/ PNP	LO./ D.O.	
Q146E	1.8 m (70 in)	2 m (6.5 in)	10 V dc to 30 V dc	-	-	
Q146EQ		3-Pin Pico-style 150 mm (6 in) QD				
Q14AN6R		2 m (6.5 in)		NPN	LO.	
Q14AN6RQ		3-Pin Pico-style 150 mm (6 in) QD			D.O.	
Q14FN6R		2 m (6.5 in)			PNP	LO.
Q14FN6RQ		3-Pin Pico-style 150 mm (6 in) QD				D.O.
Q14AP6R		2 m (6.5 in)		PNP	LO.	
Q14AP6RQ		3-Pin Pico-style 150 mm (6 in) QD			D.O.	
Q14RP6R		2 m (6.5 in)			-	-
Q14RP6RQ		3-Pin Pico-style 150 mm (6 in) QD				

Mounting Orientation

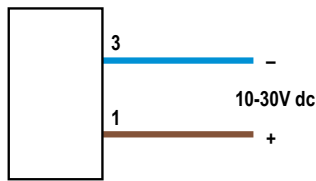


¹ Models with a quick disconnect require a mating cordset.

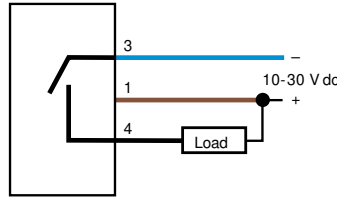


Wiring Diagrams

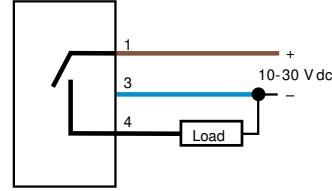
Emitters



NPN Receivers



PNP Receivers



Key

- 1 = Brown
- 3 = Blue
- 4 = Black

Quick disconnect (QD) wiring diagrams are functionally identical.

Specifications

Supply Voltage and Current

- 10 Vdc to 30 V dc (10% maximum ripple)
- Emitter: 15 mA
- Receiver: 15 mA (exclusive of load)

Supply Protection Circuitry

- Protected against reverse polarity

Output Configuration

- SPST solid-state dc switch;
- Choose NPN (current sinking) or PNP (current sourcing) models
- Choose light operate (N.O.) or dark operate (N.C.) models

Output Rating

- 150 mA maximum
- Off-state leakage current: <10 microamps at 30V dc
- On-state saturation voltage: <0.5 V at 10 mA dc; <1.0 V at 150 mA dc

Output Protection Circuitry

- Protected against output short-circuit, continuous overload, and false pulse on power-up

Output Response Time

- 8 ms ON, 4 ms OFF

Repeatability

- 1.0 ms

Sensing Beam

- Infrared, 880 nm

Indicators

- Receiver: Two LEDs, Green and Amber
- Green on = power to sensor is ON
- Green flashing = output is overloaded
- Amber on = light is sensed
- Amber flashing = marginal excess gain (1-1.5x) in light condition

Emitter: One GREEN LED indicates power to sensor is ON

Construction

- Housings are black ABS, Flared UL 94V0
- Lenses are hermetically-sealed glass
- Stainless steel M3 mounting hardware is included; stainless steel mounting bracket is included

Environmental Rating

- IEC IP54; NEMA 4

Connections

- 2 m (6.5 ft) or 9 m (30 ft) attached cable, or 150 mm (6 in) 3-pin Pico-style quick-disconnect fitting. QD cables are ordered separately.

Operating Conditions

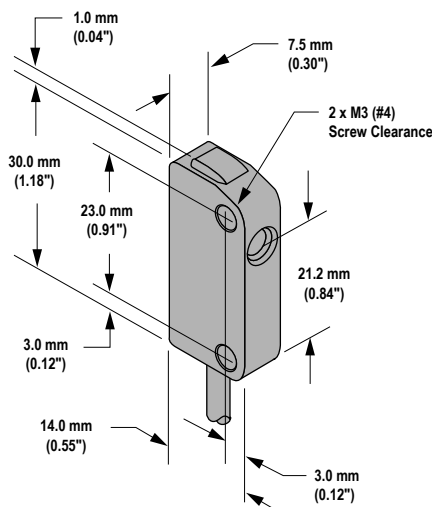
- 20 °C to +55 °C (-4 °F to +131 °F)
- 90% at +50 °C maximum relative humidity (non-condensing)

Certifications

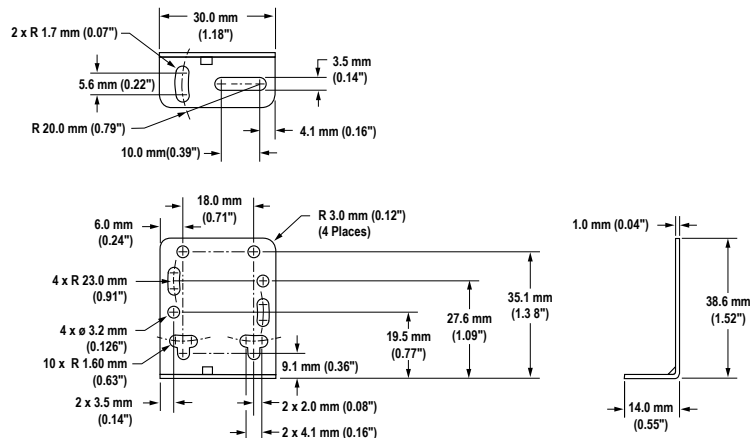


Dimensions

Q14

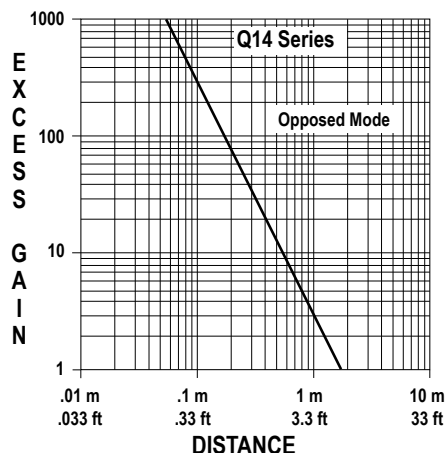


Mounting Bracket (Included)

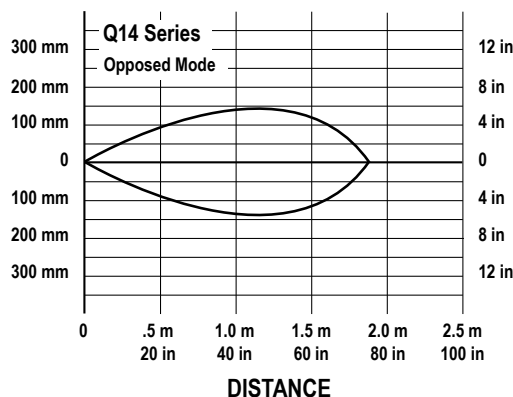


Performance Curves

Excess Gain Curve



Beam Pattern



Quick-Disconnect Cables

3-Pin Threaded M8/ Pico-Style Cordsets				
Model	Length	Style	Dimensions	Pinout (Female)
PKG3M-2	2 m (6.56 ft)	Straight		
PKG3M-5	5 m (16.40 ft)			
PKG3M-7	7 m (22.97 ft)			
PKG3M-9	9 m (29.53 ft)			
PKG3M-10	10 m (32.81 ft)			

Banner Engineering Corp. Limited Warranty

Banner Engineering Corp. warrants its products to be free from defects in material and workmanship for one year following the date of shipment. Banner Engineering Corp. will repair or replace, free of charge, any product of its manufacture which, at the time it is returned to the factory, is found to have been defective during the warranty period. This warranty does not cover damage or liability for misuse, abuse, or the improper application or installation of the Banner product.

THIS LIMITED WARRANTY IS EXCLUSIVE AND IN LIEU OF ALL OTHER WARRANTIES WHETHER EXPRESS OR IMPLIED (INCLUDING, WITHOUT LIMITATION, ANY WARRANTY OF MERCHANTABILITY OR FITNESS FOR A PARTICULAR PURPOSE), AND WHETHER ARISING UNDER COURSE OF PERFORMANCE, COURSE OF DEALING OR TRADE USAGE.

This Warranty is exclusive and limited to repair or, at the discretion of Banner Engineering Corp., replacement. IN NO EVENT SHALL BANNER ENGINEERING CORP. BE LIABLE TO BUYER OR ANY OTHER PERSON OR ENTITY FOR ANY EXTRA COSTS, EXPENSES, LOSSES, LOSS OF PROFITS, OR ANY INCIDENTAL, CONSEQUENTIAL OR SPECIAL DAMAGES RESULTING FROM ANY PRODUCT DEFECT OR FROM THE USE OR INABILITY TO USE THE PRODUCT, WHETHER ARISING IN CONTRACT OR WARRANTY, STATUTE, TORT, STRICT LIABILITY, NEGLIGENCE, OR OTHERWISE.

Banner Engineering Corp. reserves the right to change, modify or improve the design of the product without assuming any obligations or liabilities relating to any product previously manufactured by Banner Engineering Corp. Any misuse, abuse, or improper application or installation of this product or use of the product for personal protection applications when the product is identified as not intended for such purposes will void the product warranty. Any modifications to this product without prior express approval by Banner Engineering Corp will void the product warranties. All specifications published in this document are subject to change; Banner reserves the right to modify product specifications or update documentation at any time.

Specifications and product information in English supersede that which is provided in any other language. For the most recent version of any documentation, refer to: www.bannerengineering.com.