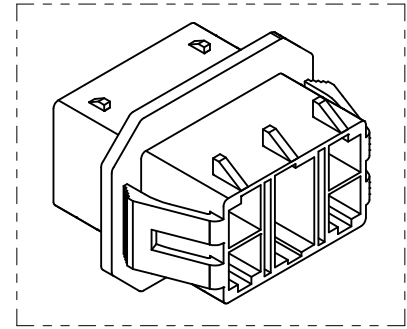
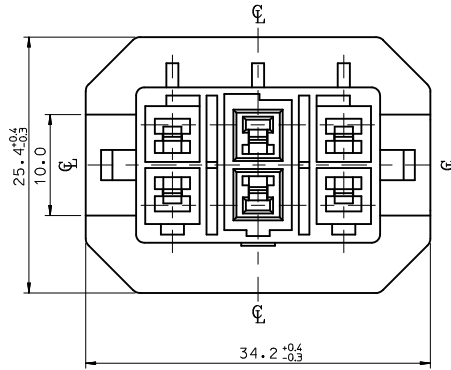
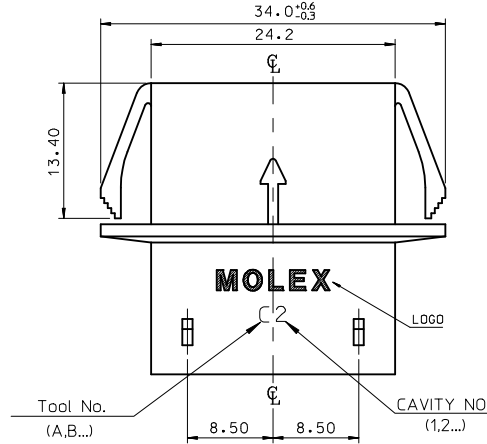
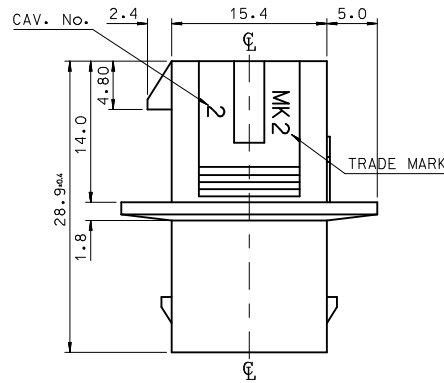


VIEW "A"

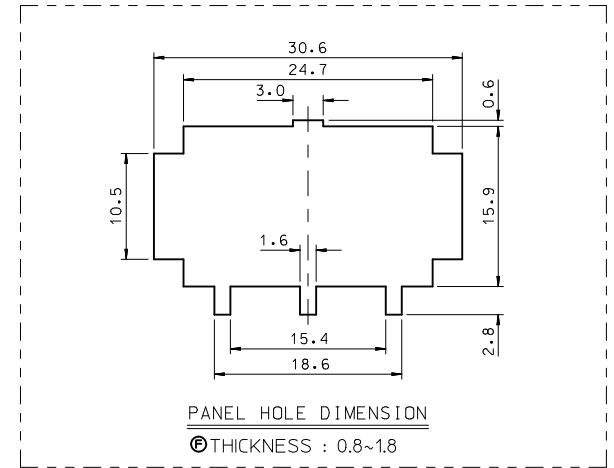


NOTES.

1. MATERIAL & COLOR : SEE TABLE
2. MATED HOUSING : 35181-020*
35181-021*
35181-022*
3. APPLICABLE TERMINAL : 35745-0*10 (3,4 CIRCUIT)
35746-0*10 (2,5 CIRCUIT)
35747-0*10 (1,6 CIRCUIT)
4. APPLICABLE T.P.A : 35182-039*
5. PRODUCT SPECIFICATION : PS-35180-002



VIEW "A"



NO	PRODUCT		MATERIAL
	PART NO	COLOR	DESCRIPTION
1	35180-0600	NATURAL	POLYESTER (PBT) (UL94V-0)
2	35180-0604	BLUE	
3	35180-0609	NATURAL	PC/PET (UL94V-0)
4	35180-2609	RED	
5	35180-3609	YELLOW	
6	35180-4609	BLUE	

REVISED
EC NO: KOR2010-0092
DRAWN: JHPARK01 2010/01/14
CHKD: WY. YANG 2010/01/14
APPR: YUNSIKIM 2010/01/14

QUALITY SYMBOLS
▽=0
∇=0

GENERAL TOLERANCES (UNLESS SPECIFIED)

	mm	INCH
4 PLACES	± ---	± ---
3 PLACES	± ---	± ---
2 PLACES	± 0.3	± ---
1 PLACE	± 0.3	± ---
ANGULAR ± 3 °		

DRAFT WHERE APPLICABLE MUST REMAIN WITHIN DIMENSIONS

DIMENSION STYLE
MM ONLY

DRAWN BY	DATE	TITLE
JS.KANG	1995/09/28	.070 MULTI W/W CONN MALE HSG-6P
CHECKED BY	DATE	
BK.CHOI	1995/09/28	MOLEX INCORPORATED
APPROVED BY	DATE	
CW.LEE	1995/09/28	DOCUMENT NO.
MATERIAL NO.	ENTER PART	
SIZE	THIS DRAWING CONTAINS INFORMATION THAT IS PROPRIETARY TO MOLEX INCORPORATED AND SHOULD NOT BE USED WITHOUT WRITTEN PERMISSION	

SCALE 1:1
DESIGN UNITS METRIC
THIRD ANGLE PROJECTION

MOLEX INCORPORATED
SD-35180-060*
SHEET NO. 1 OF 00