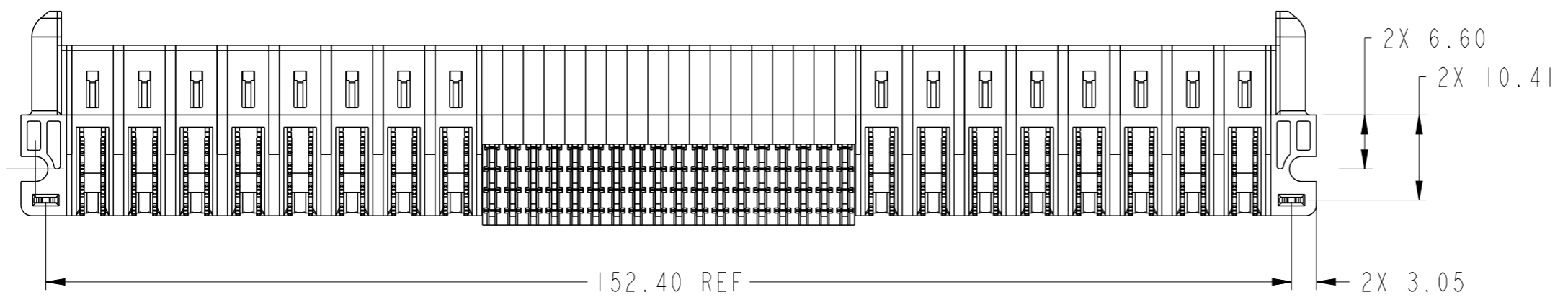
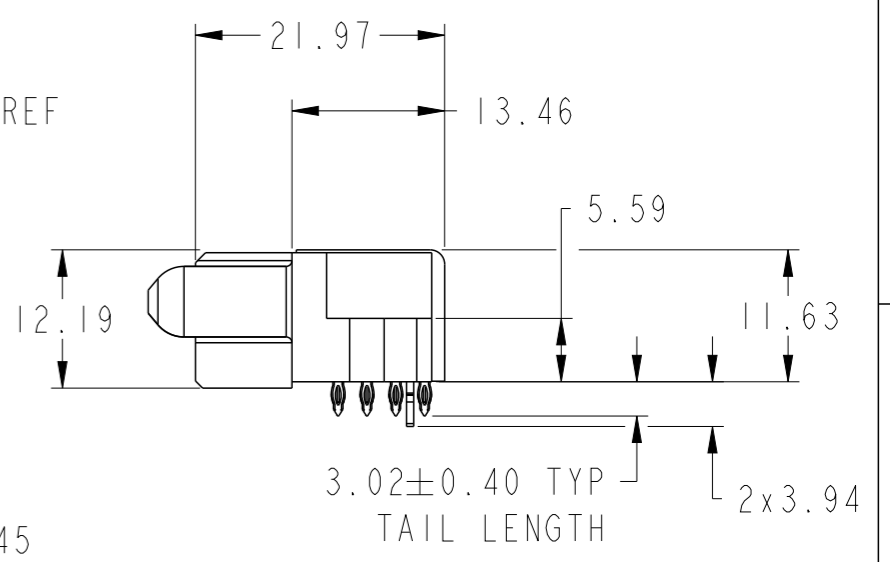
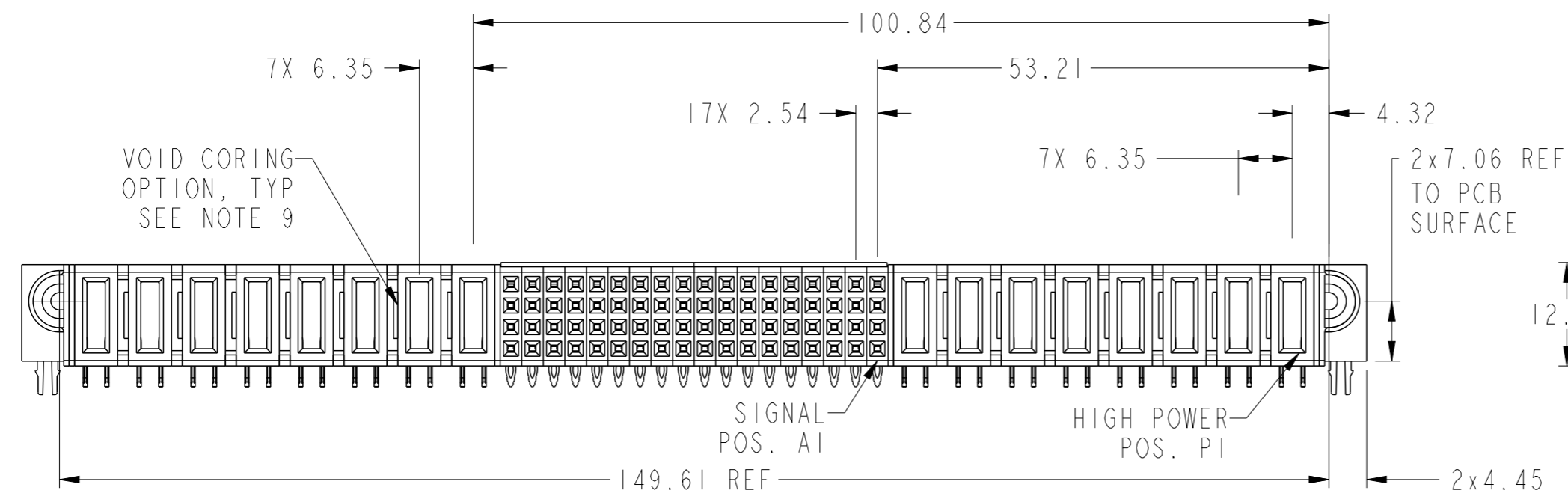
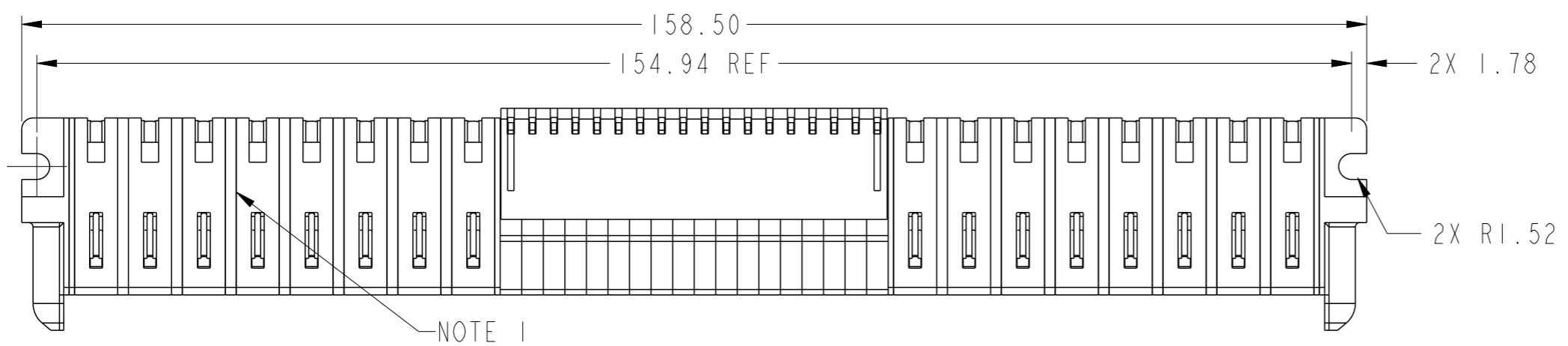


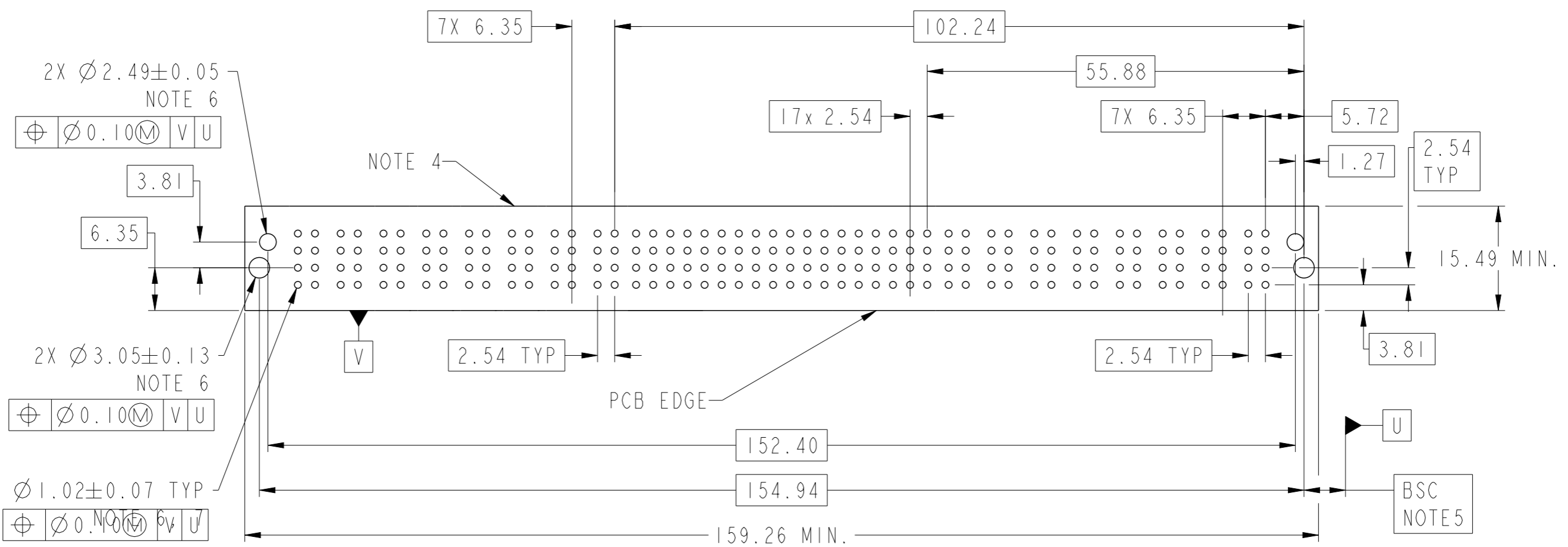
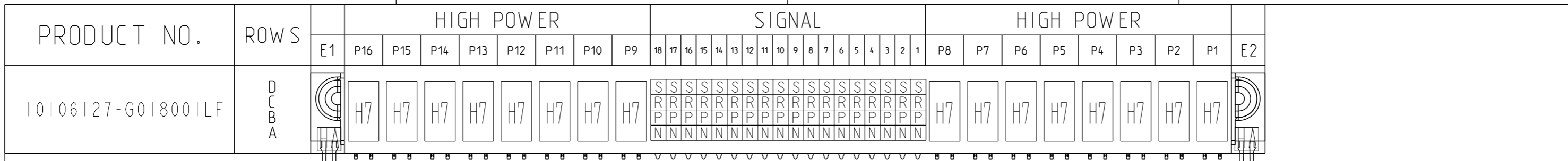
PRODUCT NUMBER SEE SHEET 2



Amphenol FCI

© 2016 AFCI

spec ref		dr	Peng-Bing Fu	2013/03/07	projection	MM	size	A3	scale	3:2
tolerance std		eng	Vicking Liu	2016/10/31			ecn no		ELX-DG-25195-1	
ISO 406 ISO 1101		chr	Fancy Zhang	2016/11/02			rel level		Released	
TOLERANCES UNLESS OTHERWISE SPECIFIED		appr	Pei-Ming Zheng	2016/11/02	product family		PwrBlade+		rev	
surface	linear	0.X		±0.5	<b>Amphenol FCI</b> 8HP + 72S + 8HP RA RECEPTACLE PF		dwg no 10106127-G018001		rev B	
		0.XX		±0.25						
	0.XXX		±0.10							
ISO 1302	angular	0°		±2°	cat. no.		Product - Customer Drw		sheet 1 of 3	



Amphenol  
FCi

© 2016 AFCI

CODE	DESCRIPTION
H7	STD HIGH POWER CONTACT(3.02)
HA	METAL HOLD DOWN
N	STD SIGNAL CONTACT, ROW A
P	STD SIGNAL CONTACT, ROW B
R	STD SIGNAL CONTACT, ROW C
S	STD SIGNAL CONTACT, ROW D

spec ref	dr	Peng-Bing Fu	2013/03/07	projection	MM	size	A3	scale	3:2
tolerance std	eng	Vicking Liu	2016/10/31			ecn no	ELX-DG-25195-1	rel level	Released
ISO 406 ISO 1101	chr	Fancy Zhang	2016/11/02						
surface	linear	0.X	±0.5		product family	PwrBlade+	dwg no	10106127-G018001	rev
		0.XX	±0.25						
ISO 1302	angular	0°	±2°						
TOLERANCES UNLESS OTHERWISE SPECIFIED				cat. no.		Product - Customer Drw		sheet 2 of 3	
Amphenol FCI				8HP + 72S + 8HP RA RECEPTACLE PF		B		STATUS:Released	

NOTES:

- 1) PRODUCT MARK:  
PART NUMBER AND DATE CODE TO BE MARKED ON THIS SURFACE .  
THE MARK CAN BE OMITTED IF THERE IS NOT ENOUGH SPACE ON THIS SURFACE.
- 2) MATERIALS:  
-HOUSING : HIGH TEMP THERMOPLASTIC WITH GLASS FIBER, UL94V-0, BLACK.  
-POWER CONTACT : HIGH CONDUCTIVITY COPPER ALLOY.  
-SIGNAL CONTACT : COPPER ALLOY.
- 3) PLATING SPECIFICATION : 10116351
- 4) DENOTES CONNECTOR KEEP OUT ZONE.
- 5) DATUM AND BASIC DIMENIONS ARE ESTABLISHED BY CUSTOMER.
- 6) ALL HOLE DIAMETERS ARE FINISHED HOLE SIZES.
- 7) 1.15+/-0.025MM DRILLED HOLE PLATED WITH 0.00762MM MIN SN  
OVER 0.0254-0.0762MM CU PLATING TO ACHIEVE A 1.02+/-0.07MM HOLE.
- 8) THIS PRODUCT MEETS EUROPEAN UNION DIRECTIVES AND OTHER COUNTRY  
REGULATIONS AS DESCRIBED IN GS-47-0004.
- 9) THE VOID CORING IN BETWEEN POWER MODULES, SIGNAL MODULES AND  
END MODULES ARE OPTIONAL AND THE SHAPE MAY BE DIFFERENT FOR  
OPTIMIZE THE MOLDING PROCESS. THE VOID CORING WILL NOT EFFECT  
TO PRODUCT FUNCTION.
- 10) PRODUCT SPECIFICATION : GS-12-658.  
APPLICATION SPECIFICATION : GS-20-141.  
PRODUCT PACKAGE SPECIFICATION: GS-14-1502.

Amphenol  
FCi

© 2016 AFCI

spec ref		dr	Peng-Bing Fu	2013/03/07	projection	MM	size	A3	scale	3:2	
tolerance std		eng	Vicking Liu	2016/10/31		←→	ecn no		ELX-DG-25195-1		
ISO 406 ISO 1101		chr	Fancy Zhang	2016/11/02			product family		PwrBlade+		rel level
surface		appr	Pei-Ming Zheng	2016/11/02	Amphenol FCi		8HP + 72S + 8HP		dwg no		10106127-G018001
ISO 1302		TOLERANCES UNLESS OTHERWISE SPECIFIED		RA RECEPTACLE PF		cat. no.		Product - Customer Drw		sheet 3 of 3	
linear	0.X	±0.5		Product - Customer Drw		Product - Customer Drw		Product - Customer Drw		rev	B
	0.XX	±0.25									
	0.XXX	±0.10									
angular	0°	±2°									