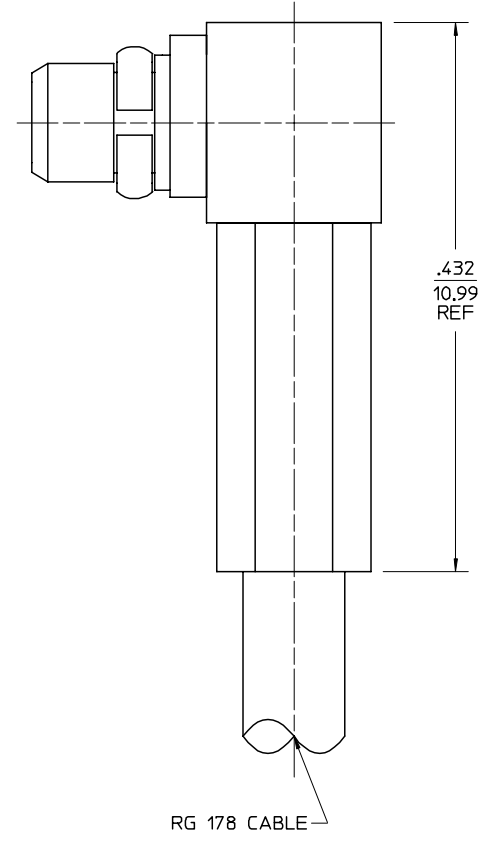
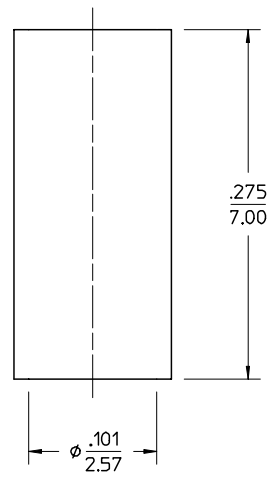
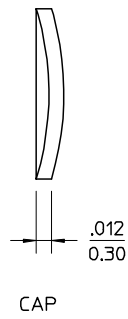
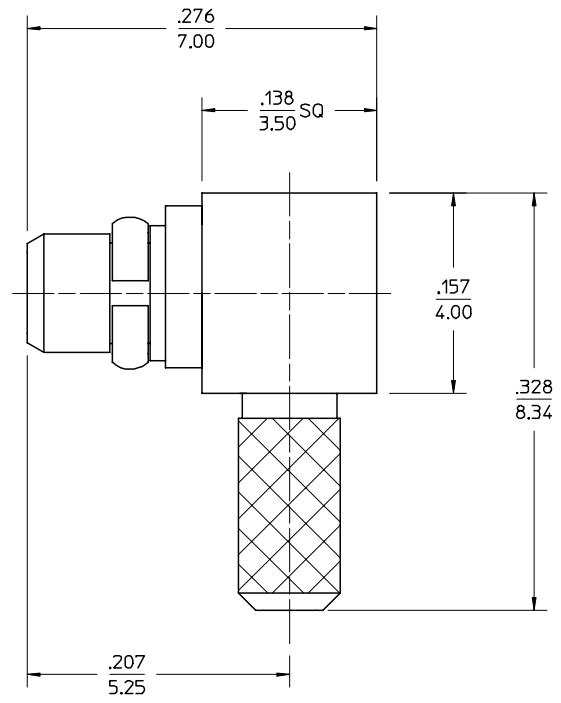


MATERIALS AND FINISHES:

BODY, HOUSING, CRIMP TUBE,
BRASS, GOLD PLATED

CONTACT, SNAP RING
BERYLLIUM COPPER, GOLD PLATED

INSULATOR
TEFLON



AS-89678-0700	CABLE ASSEMBLY	SD-73415-1951	PER COMMERCIAL REQUIREMENTS
PS-89675-1930	ELECTRO/MECH PERFORMANCE	SD-73415-1950	PER MILITARY REQUIREMENTS
SPECIFICATION	DESCRIPTION	PART NUMBER	PLATING

CHG: ADD ASSY INTR. EC NO RF02-XXX DRWN: LYNN CHK: JOHNSON APPR: MISEN CHG: NEW RELEASE	EC NO RF-0390 DRWN: JACK 00/04/25 CHK: JOHNSON APPR: MISEN	DESCRIPTION	UNLESS OTHERWISE SPECIFIED DIMS ARE INCHES AND ANGLES ARE DEGREES.
			<ol style="list-style-type: none"> ✓ 63 ALL OVER. NO CHATTER OR NON-UNIFORM SURFACE FINISH ALLOWED. PARTS TO BE FREE OF BURRS & SHARP EDGES .005 MAX BREAK. EXTERNAL THREADS TO BE ROLLED OR SINGLE POINT. DIAMETERS TO BE CONCENTRIC WITHIN .003 TIR.
B	A	REV	

- UNLESS OTHERWISE SPECIFIED DIMS ARE INCHES AND ANGLES ARE DEGREES.
- ✓ 63 ALL OVER.
 - NO CHATTER OR NON-UNIFORM SURFACE FINISH ALLOWED.
 - PARTS TO BE FREE OF BURRS & SHARP EDGES .005 MAX BREAK.
 - EXTERNAL THREADS TO BE ROLLED OR SINGLE POINT.
 - DIAMETERS TO BE CONCENTRIC WITHIN .003 TIR.

QUALITY SYMBOLS	GENERAL TOLERANCES: (UNLESS SPECIFIED)	SCALE	DESIGN UNITS
MAJOR	mm INCH	DRAWN BY & DATE	THIRD ANGLE PROJECTION
CRITICAL	4 PLACES * — * —	JACK 2000/04/25	<input type="checkbox"/> mm INCH <input checked="" type="checkbox"/> INCH mm <input type="checkbox"/> mm ONLY
	3 PLACES * — * —	CHECKED BY & DATE	TITLE:
	2 PLACES * .13 * —	APPROVED BY & DATE	MMCX PLUG, R/A REVERSE CABLE RG178
	1 PLACE * .25 * —	DESIGN REVIEW	MMCX-PC/RA
	ANGULAR: ±2°	XXX 00/00/00	MATERIAL NO. SEE NOTE
	DRAFT WHERE APPLICABLE MUST REMAIN WITHIN DIMENSIONS		DRAWING NO. SD-73415-195
			SHEET NO. 1 of 1

THIS DRAWING CONTAINS INFORMATION THAT IS PROPRIETARY TO MOLEX INCORPORATED AND SHOULD NOT BE USED WITHOUT WRITTEN PERMISSION.		SIZE B
--------------------------------------------------------------------------------------------------------------------------------	--	--------