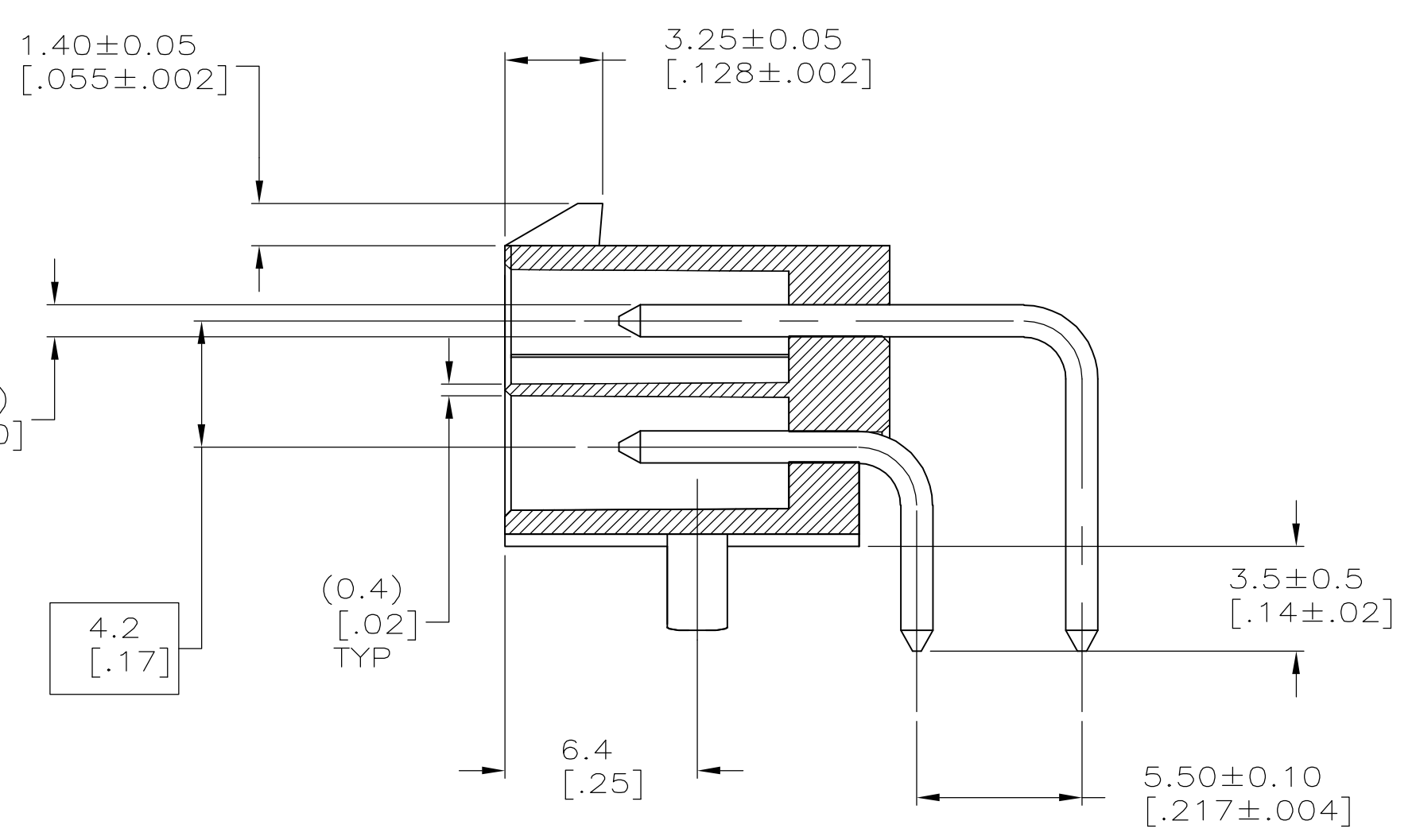
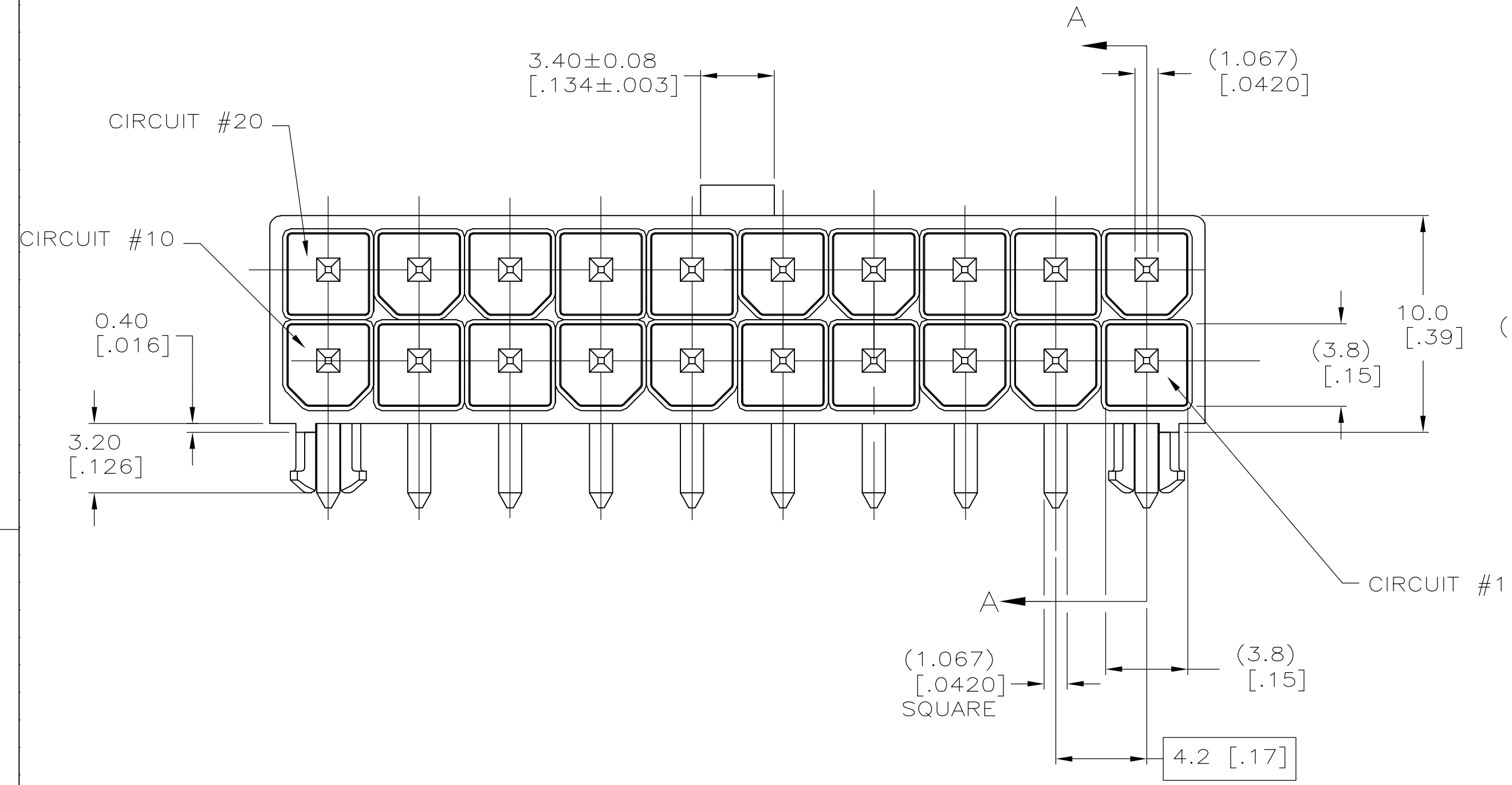
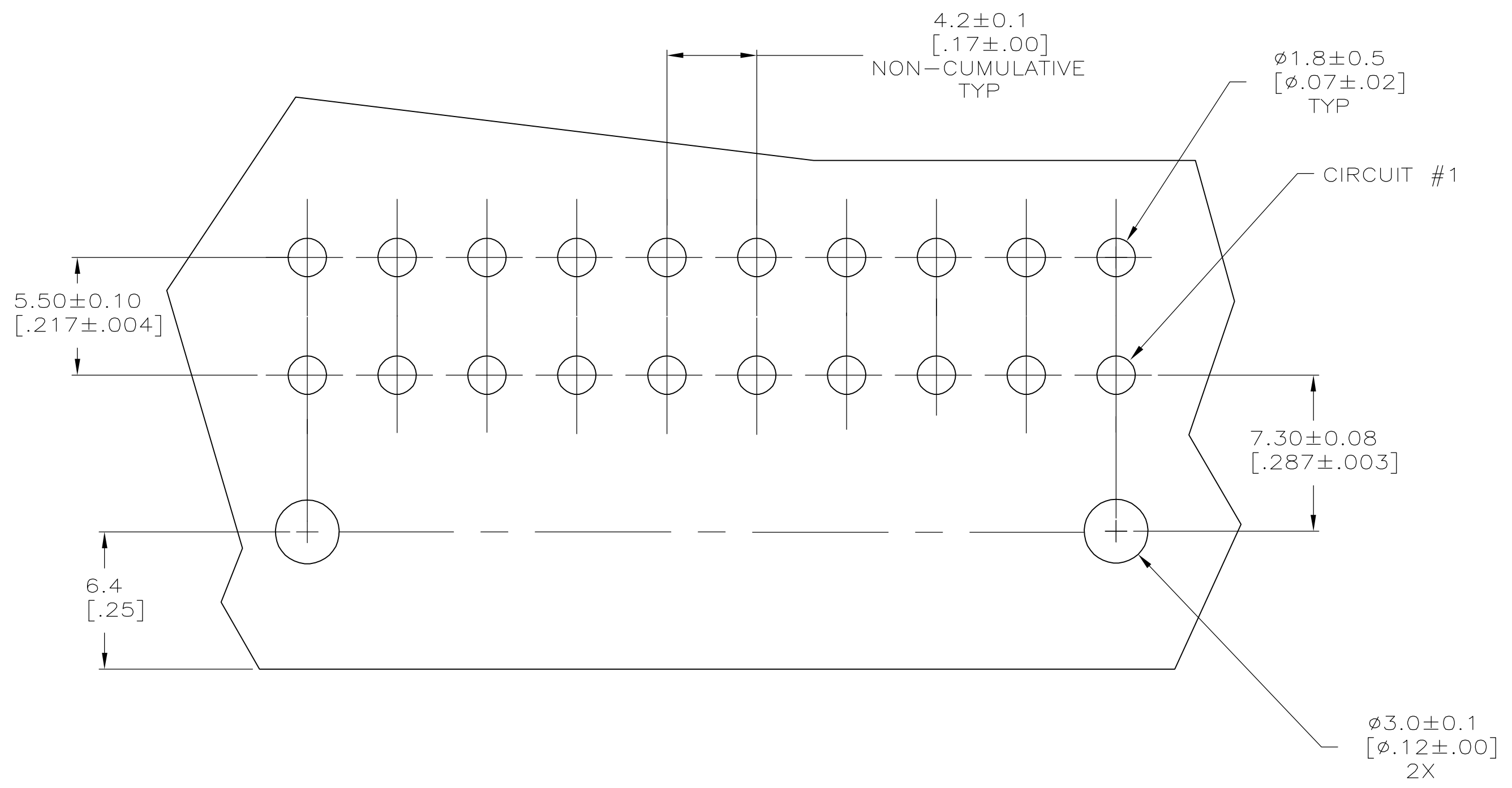
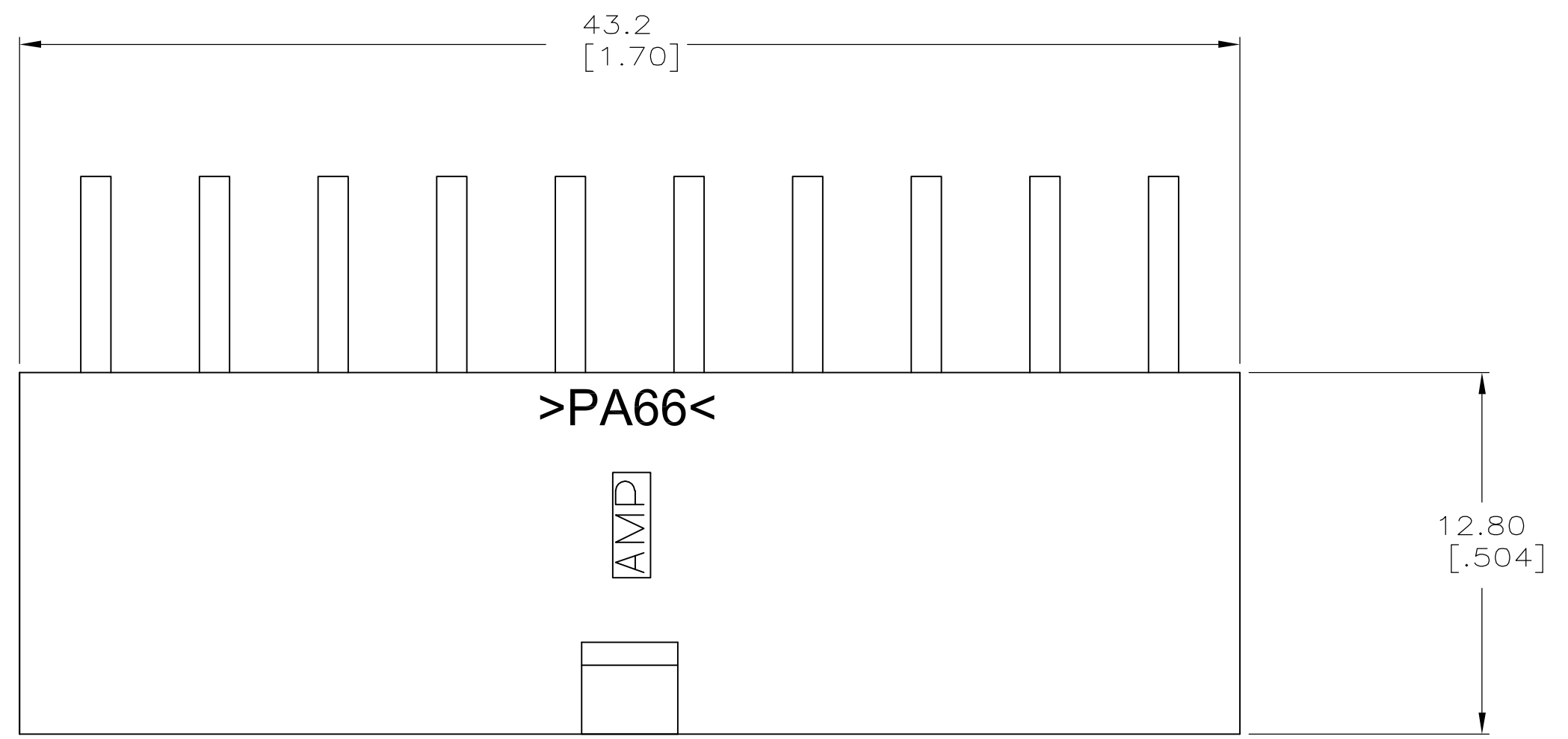


- ⚠ MATERIAL: HOUSING - NYLON, UL94V-2 (COLOR - NATURAL).
PIN - 1.067mm² [.0017in²] COPPER ALLOY.
- 2. PINS TO COMPLY WITH SOLDERABILITY SPEC 109-11-3.
- ⚠ 0.00381 [.000150] MINIMUM TIN LEAD OVER 0.00127 [.000050] MINIMUM NICKEL, ENTIRE LENGTH OF PIN.
- ⚠ NOTE DELETED.
- ⚠ 0.00381 [.000150] MINIMUM TIN OVER 0.00127 [.000050] MINIMUM NICKEL, ENTIRE LENGTH OF PIN.



SUPERSEDED BY 1-794449-1

⚠	⚠	⚠	⚠	1-794449-1
⚠	⚠	⚠	⚠	794449-1
MATERIAL		FINISH		ASSEMBLY
PIN		HOUSING		

METRIC

THIS DRAWING IS A CONTROLLED DOCUMENT.

DIMENSIONS: mm [INCHES]	TOLERANCES UNLESS OTHERWISE SPECIFIED:	DIN S. HOOVER 02-MAR-2005	Tyco Electronics Corporation Harrisburg, Pa 17105-3608
0 PL ±	1 PL ± 0.2 [.01]	CMK D. COLEY 02-MAR-2005	
	2 PL ± 0.13 [.005]	APVD D. COLEY 02-MAR-2005	
	3 PL ±	NAME	
	4 PL ±	PRODUCT SPEC	ASSEMBLY, HEADER,
	ANGLES ± ± 0° 30'	108-1646	RIGHT ANGLE, 20 POSITION, W/PEGS,
MATERIAL SEE CHART	FINISH SEE CHART	APPLICATION SPEC	94V-2, AMP-DUAC POWER CONNECTOR
		114-6067	SIZE
			WEIGHT
			SCALE 5:1
			SHEET 1 OF 1
			REV E

CUSTOMER DRAWING