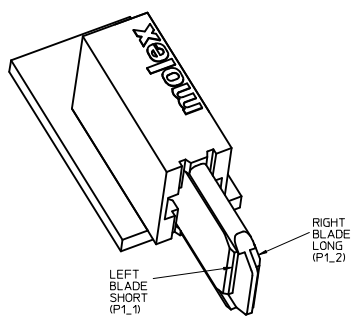
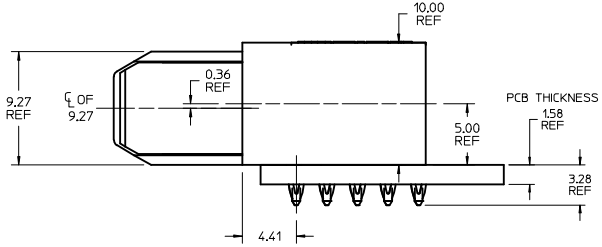
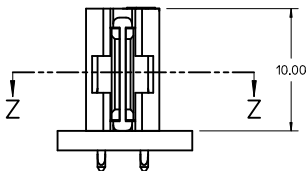
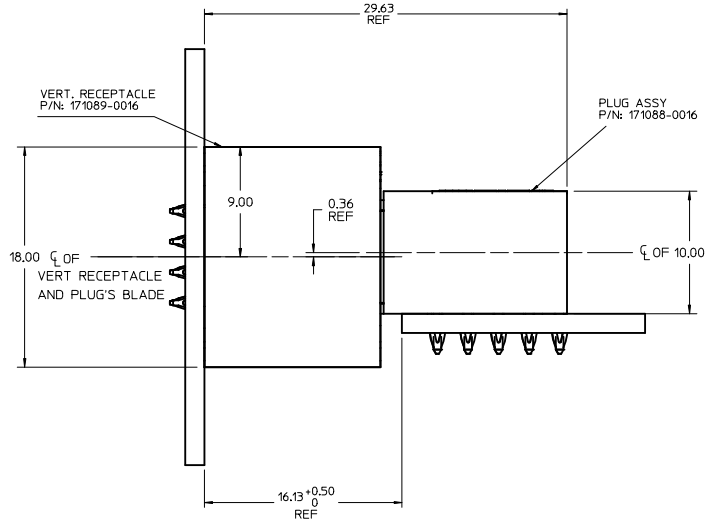
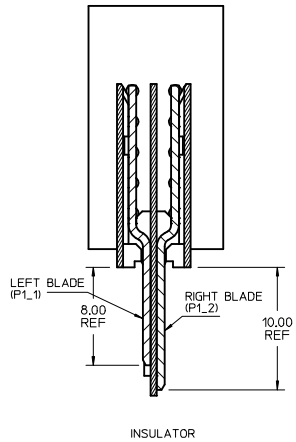
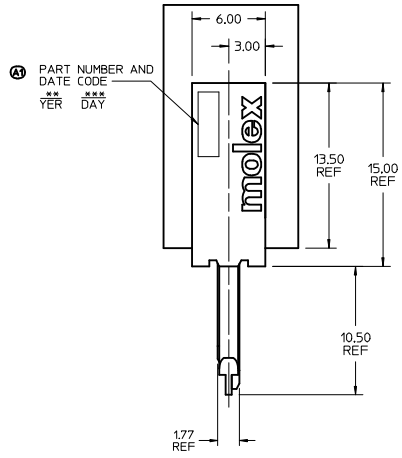


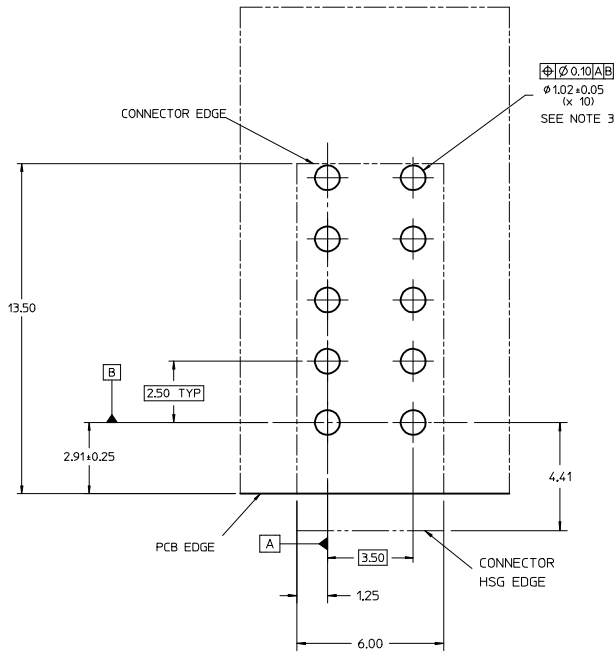
3D MODEL NO: TM-171088-0016

SECTION Z-Z

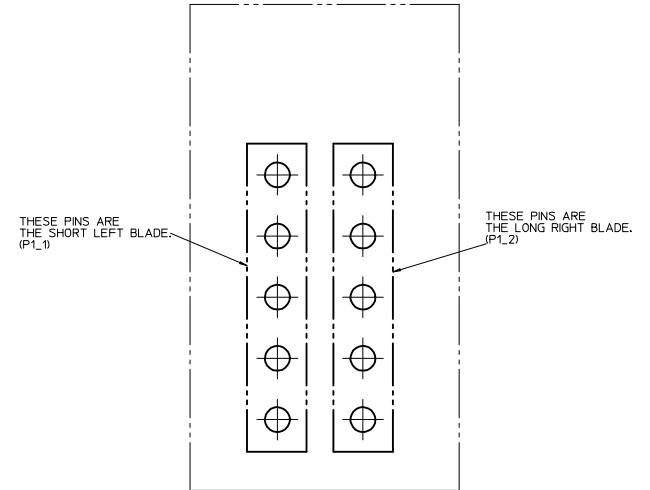
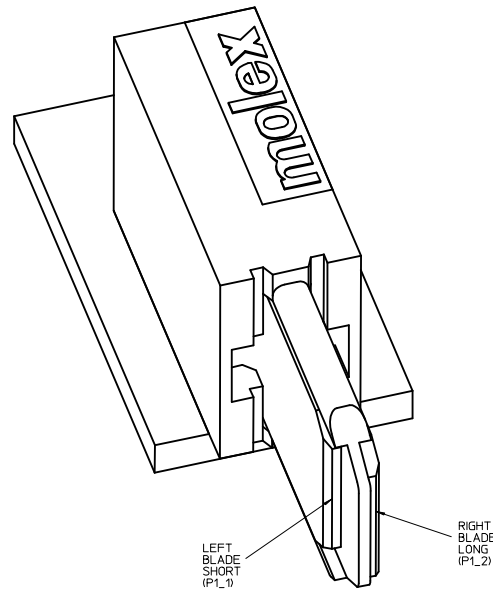


- NOTES:
- MATERIAL:
 - HOUSINGS: LCP UL94, V-0, COLOR : BLACK
 - TERMINALS: HIGH CONDUCTIVITY COPPER ALLOY
 - PLATING: 127 MICROMETER (50 MICROINCH) NICKEL OVERALL WITH 2.54 MICROMETER (100 MICROINCH) SELECTIVE TIN ON TAILS AND 0.762 MICROMETER (30 MICROINCH) SELECTIVE GOLD ON CONTACT AREA
 - PACKAGING: ASSEMBLIES TO BE TRAY PACKED PER PACKAGING SPEC: TBD
 - PLATED THRU HOLE SIZE, REFER TO PS-171088-0000 FOR DETAILS
 - PRODUCT SPEC: PS-171088-0000
 - APPLICATION SPEC: AS-46436-100
 - PRODUCT TO MEET ROHS REQUIREMENTS
 - ASSEMBLY MATES TO MOLEX RECEPTACLE ASSEMBLY P/N 171089-0016
 - TAIL DESIGN: COMPLIANT PIN

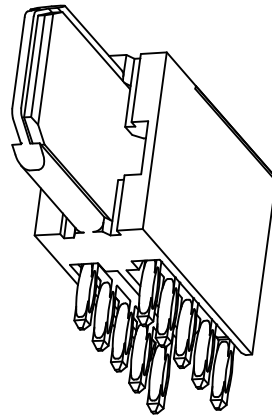
ADD DATE CODE IEC NO: UICP2014-0186 DRAWN: CGH CHYKDEANG APPR: KHLIM	QUALITY SYMBOLS ∇=0 ∇=0 ∇=0	GENERAL TOLERANCES (UNLESS SPECIFIED)		DIMENSION STYLE MM ONLY	SCALE 5:1	DESIGN UNITS METRIC	THIRD ANGLE PROJECTION
		4 PLACES ± --- ± --- 3 PLACES ± --- ± --- 2 PLACES ± 0.25 ± --- 1 PLACE ± 0.25 ± --- 0 PLACE ± --- ± ---	mm INCH	DRAWN BY VLIN	DATE 2012/10/12	CHECKED BY SHONG	DATE 2013/04/25
ANGLULAR ±1/2° DRAFT WHERE APPLICABLE MUST REMAIN WITHIN DIMENSIONS	MATERIAL NO. 171088-0016		DOCUMENT NO. SD-171088-0016		SHEET NO. 1 OF 2		



RECOMENDED PCB LAYOUT AND KEEP OUT ZONE



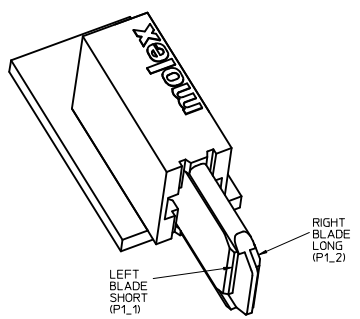
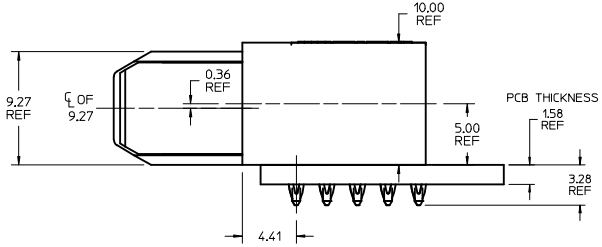
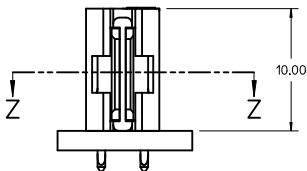
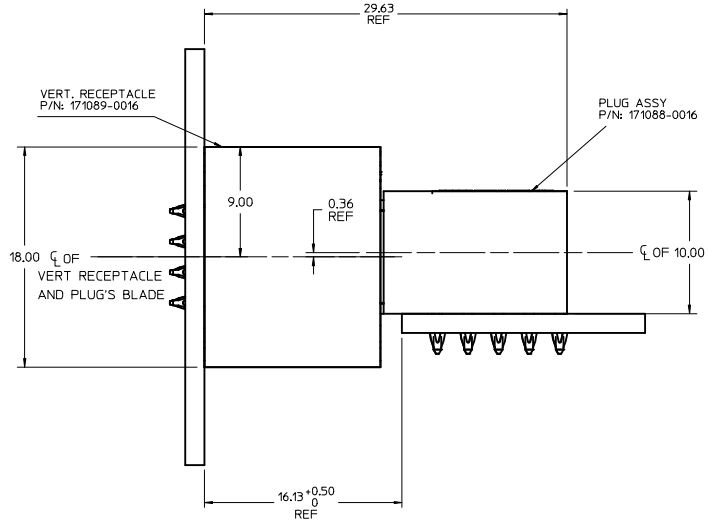
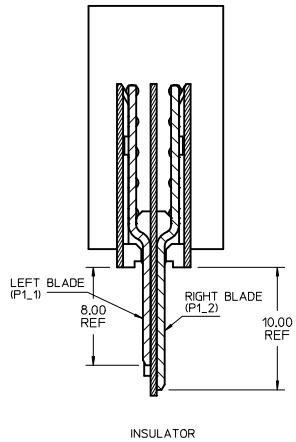
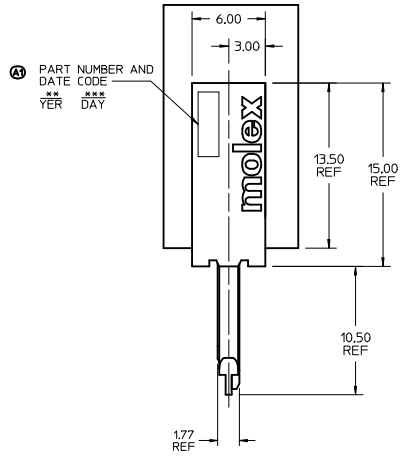
PCB PIN ASSIGNMENT



SEE SHEET1 IEC NO: UCP2014-0186 DRAWN:COH 2013/07/16 CHECKED:ANG 2013/07/26 APPR:KHLIM 2013/07/31 REV: A1	QUALITY SYMBOLS	GENERAL TOLERANCES (UNLESS SPECIFIED)	DIMENSION STYLE	SCALE	DESIGN UNITS	THIRD ANGLE PROJECTION	
	▽=0	mm INCH	MM ONLY	10:1	METRIC	☉	
	▽=0	4 PLACES ± --- ± ---	DRAWN BY DATE	VLIN 2012/10/12	TITLE		TEN60 SPLIT POWER PLUG ASSY
	▽=0	3 PLACES ± --- ± ---	CHECKED BY DATE	SHONG 2013/04/25	APPROVED BY DATE		1SP
	ANGULAR ±1/2°	DRAFT WHERE APPLICABLE MUST REMAIN WITHIN DIMENSIONS	MATERIAL NO.	DOCUMENT NO.	SHEET NO.		
			171088-0016	SD-171088-0016	2 OF 2		
THIS DRAWING CONTAINS INFORMATION THAT IS PROPRIETARY TO MOLEX INCORPORATED AND SHOULD NOT BE USED WITHOUT WRITTEN PERMISSION							

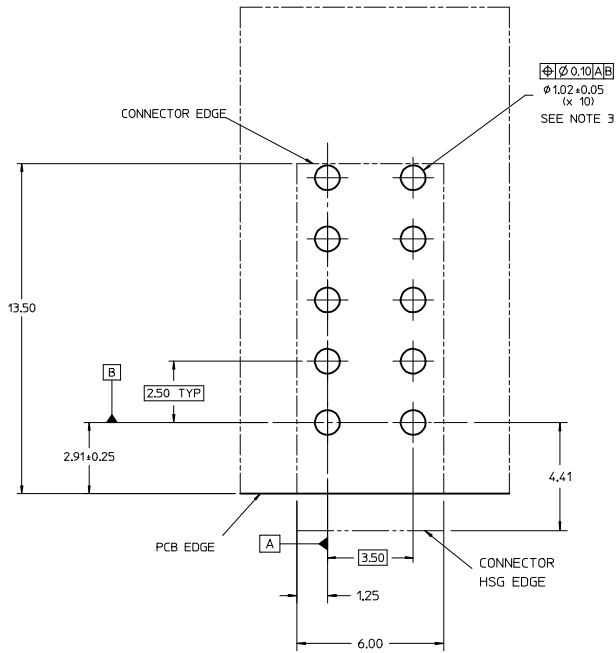
3D MODEL NO: TM-171088-0016

SECTION Z-Z

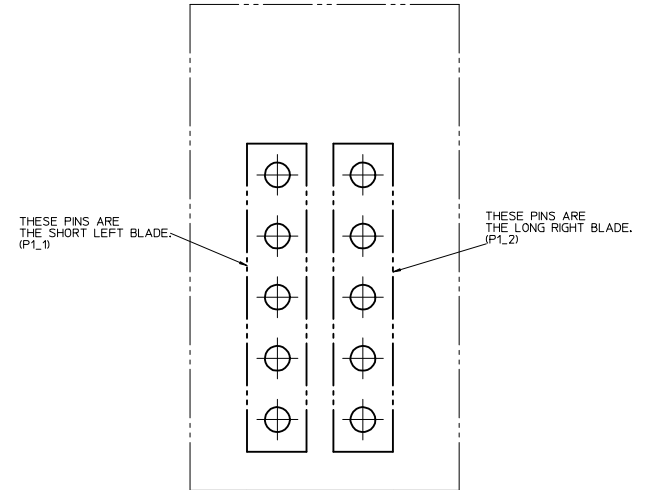
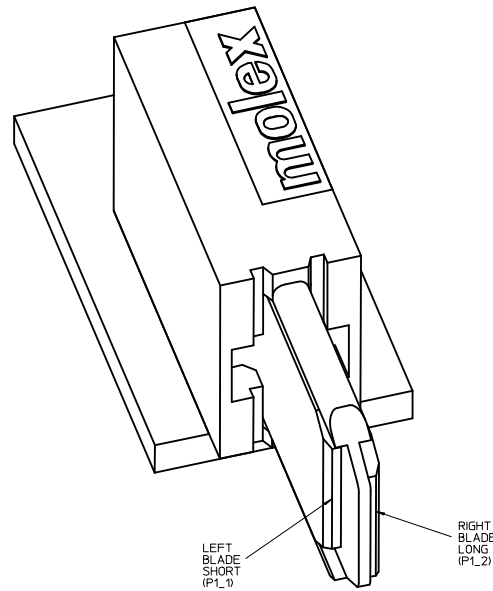


- NOTES:
- MATERIAL:
 - HOUSINGS: LCP UL94, V-0, COLOR : BLACK
 - TERMINALS: HIGH CONDUCTIVITY COPPER ALLOY
 - PLATING: 127 MICROMETER (50 MICROINCH) NICKEL OVERALL WITH 2.54 MICROMETER (100 MICROINCH) SELECTIVE TIN ON TAILS AND 0.762 MICROMETER (30 MICROINCH) SELECTIVE GOLD ON CONTACT AREA
 - PACKAGING: ASSEMBLIES TO BE TRAY PACKED PER PACKAGING SPEC: TBD
 - PLATED THRU HOLE SIZE, REFER TO PS-171088-0000 FOR DETAILS
 - PRODUCT SPEC: PS-171088-0000
 - APPLICATION SPEC: AS-46436-100
 - PRODUCT TO MEET ROHS REQUIREMENTS
 - ASSEMBLY MATES TO MOLEX RECEPTACLE ASSEMBLY P/N 171089-0016
 - TAIL DESIGN: COMPLIANT PIN

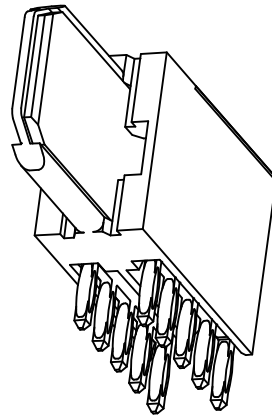
ADD DATE CODE IEC NO: UICP2014-0186 DRAWN: CGH CHYKDEANG APPR: KHLIM	QUALITY SYMBOLS ∇=0 ∇=0 ∇=0	GENERAL TOLERANCES (UNLESS SPECIFIED) mm INCH		DIMENSION STYLE MM ONLY	SCALE 5:1	DESIGN UNITS METRIC	THIRD ANGLE PROJECTION
		4 PLACES ± --- ± --- 3 PLACES ± --- ± --- 2 PLACES ± 0.25 ± --- 1 PLACE ± 0.25 ± --- 0 PLACE ± --- ± ---	DRAWN BY VLIN	DATE 2012/10/12	CHECKED BY DATE	APPROVED BY SHONG	DATE 2013/04/25
ANGULAR ±1/2° DRAFT WHERE APPLICABLE MUST REMAIN WITHIN DIMENSIONS	SIZE D		THIS DRAWING CONTAINS INFORMATION THAT IS PROPRIETARY TO MOLEX INCORPORATED AND SHOULD NOT BE USED WITHOUT WRITTEN PERMISSION				



RECOMENDED PCB LAYOUT AND KEEP OUT ZONE

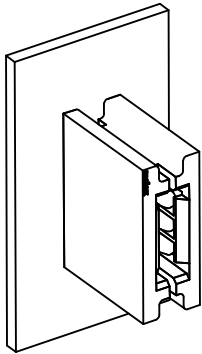
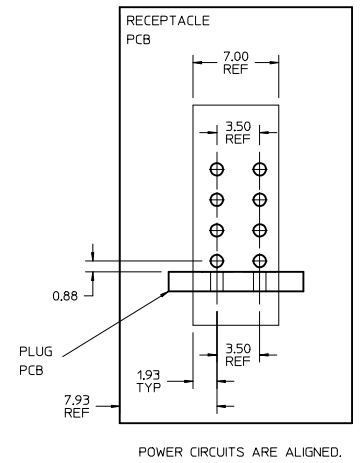
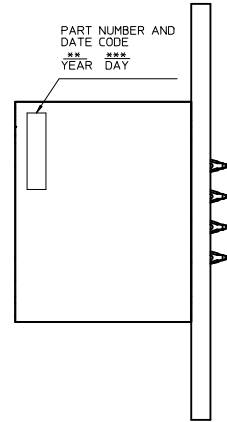
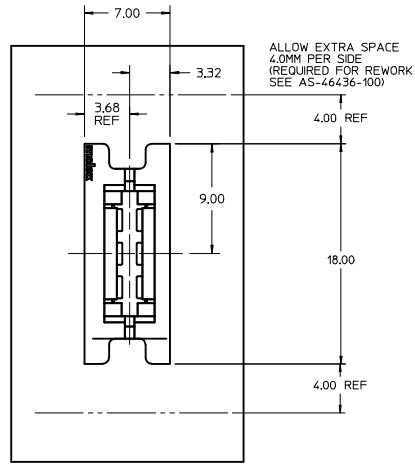
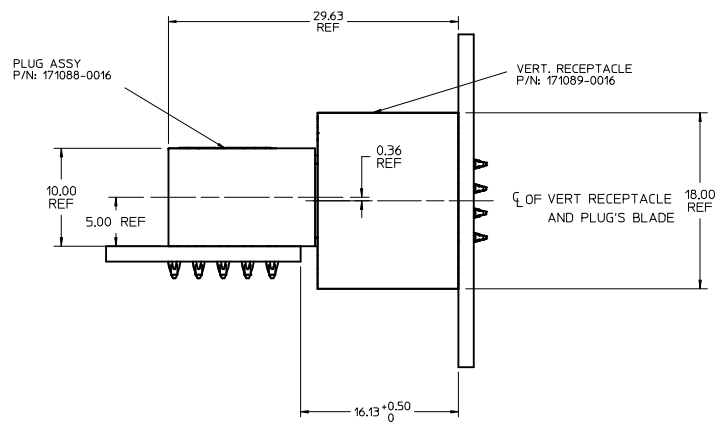
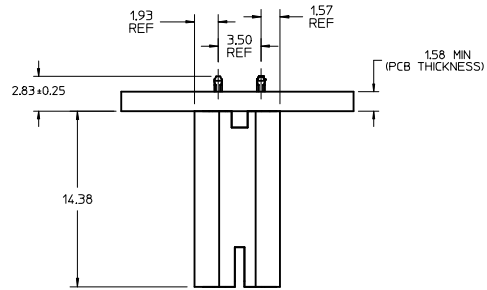


PCB PIN ASSIGNMENT



SEE SHEET1 IEC NO: UCP2014-0186 DRAWN:COH 2013/07/16 CHECKED:ANG 2013/07/26 APPR:KHLIM 2013/07/31 REV: A1	QUALITY SYMBOLS	GENERAL TOLERANCES (UNLESS SPECIFIED)	DIMENSION STYLE	SCALE	DESIGN UNITS	THIRD ANGLE PROJECTION
	▽=0	mm INCH	MM ONLY	10:1	METRIC	
	▽=0	4 PLACES ± --- ± ---	DRAWN BY DATE	VLIN 2012/10/12	TITLE	
	▽=0	3 PLACES ± --- ± ---	CHECKED BY DATE	SHONG 2013/04/25	TEN60 SPLIT POWER PLUG ASSY 1SP	
	ANGULAR ±1/2°	DRAFT WHERE APPLICABLE MUST REMAIN WITHIN DIMENSIONS	MATERIAL NO.	DOCUMENT NO.	SHEET NO.	
			171088-0016	SD-171088-0016	2 OF 2	
THIS DRAWING CONTAINS INFORMATION THAT IS PROPRIETARY TO MOLEX INCORPORATED AND SHOULD NOT BE USED WITHOUT WRITTEN PERMISSION						

3D MODEL NO.: TM-171088-0016



- NOTES:
- MATERIAL:
 - HOUSINGS: LCP UL94, V-0, COLOR: BLAC
 - TERMINALS: COPPER ALLOY
 - PLATING: 1.27 MICROMETER (50 MICROINCH) NICKEL OVERALL WITH 2.54 MICROMETER (100 MICROINCH) SELECTIVE GOLD ON CONTACT AREA AND 0.762 MICROMETER (30 MICROINCH) SELECTIVE GOLD ON CONTACT AREA
 - PACKAGING: ASSEMBLIES TO BE TRAY PACKED PER PACKAGING SPEC PK-171089-0001
 - PLATED THRU HOLE SIZE, REFER TO PS-171088-0000 FOR DETAILS
 - PRODUCT SPEC: PS-171088-0000
 - APPLICATION SPEC: AS-46436-100
 - PRODUCT TO MEET RoHS REQUIREMENTS
 - ASSEMBLY MATES TO MOLEX PLUG ASSEMBLY P/N 171088-0016
 - TAIL DESIGN: COMPLIANT PIN
 - POWER CONTACTS ARE LUBRICATED

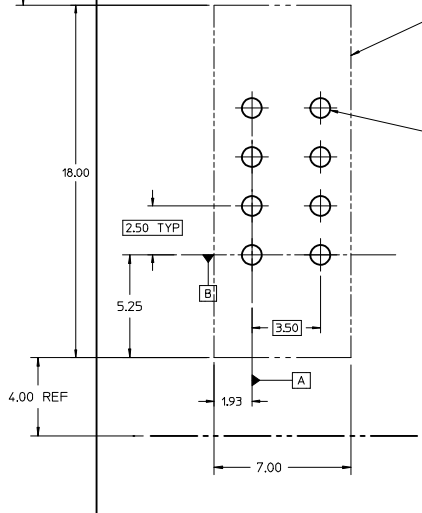
REVISE NOTE IEC NO: UCP2016-0212 DRAWN: JUILIN 2015/09/30 CHECKED: LIN 2015/09/30 APPR: APATEL 2015/10/08	QUALITY SYMBOLS	GENERAL TOLERANCES (UNLESS SPECIFIED)	DIMENSION STYLE	SCALE	DESIGN UNITS	THIRD ANGLE PROJECTION
	▽=0	mm INCH	MM ONLY	5:1	METRIC	☉
	▽=0	4 PLACES ± --- ± ---	DRAWN BY DATE	TITLE		
	▽=0	3 PLACES ± --- ± ---	VLIN 2012/10/12	TEN60SP VERT ASSY J-1SP-J		
▽=0	2 PLACES ± 0.25 ± ---	CHECKED BY DATE	molex			
▽=0	1 PLACE ± 0.25 ± ---	APPROVED BY DATE	DOCUMENT NO.			
▽=0	0 PLACE ± --- ± ---	SHONG 2013/04/25	SD-171089-0016			
	ANGULAR ±1/2°	MATERIAL NO.	SHEET NO.			
	DRAFT WHERE APPLICABLE MUST REMAIN WITHIN DIMENSIONS	171089-0016	1 OF 2			
		SIZE D	THIS DRAWING CONTAINS INFORMATION THAT IS PROPRIETARY TO MOLEX INCORPORATED AND SHOULD NOT BE USED WITHOUT WRITTEN PERMISSION			

ALLOW EXTRA SPACE
4.00mm PER SIDE
(REQUIRED FOR REWORK)

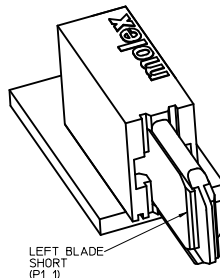
4.00 REF

CONNECTOR EDGE

SEE NOTE3
 $\phi 1.02 \pm 0.05 (\times 8)$
 $\phi 1 \phi 0.10 [A] [B]$



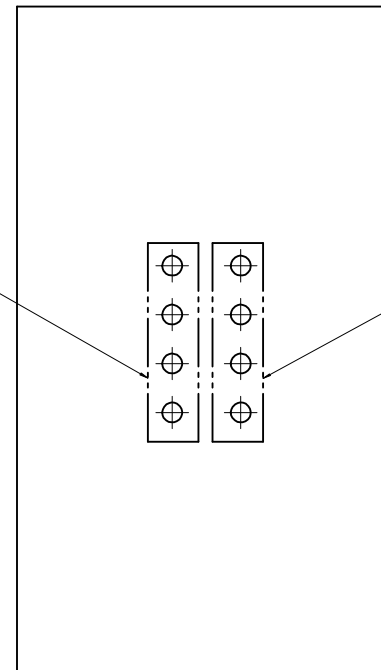
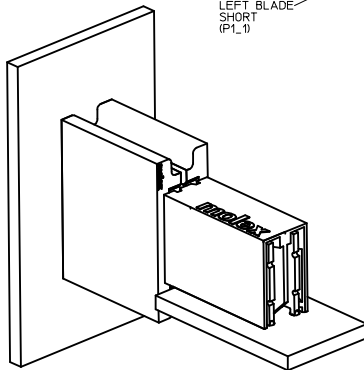
RECOMMENDED PCB LAYOUT
AND KEEP OUT ZONE



LEFT BLADE
SHORT
(P1_1)

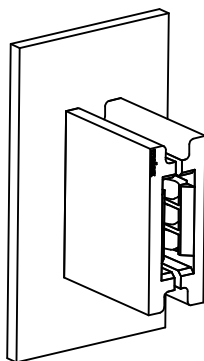
RIGHT BLADE
LONG
(P1_2)

THESE PINS CONNECT
TO RIGHT LONG BLADE
(P1_2).



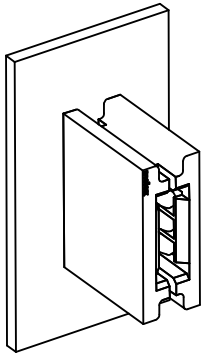
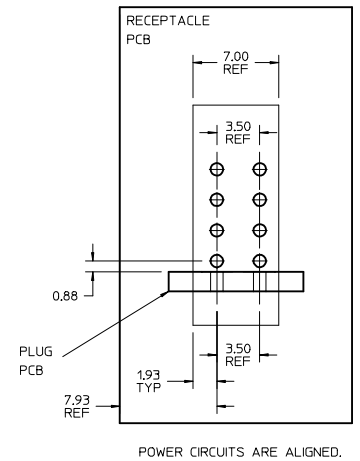
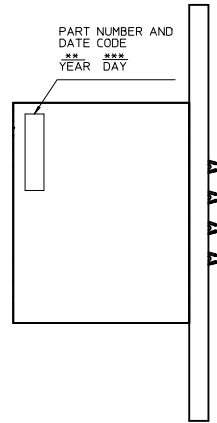
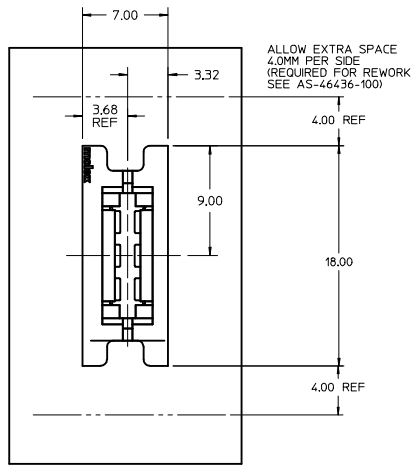
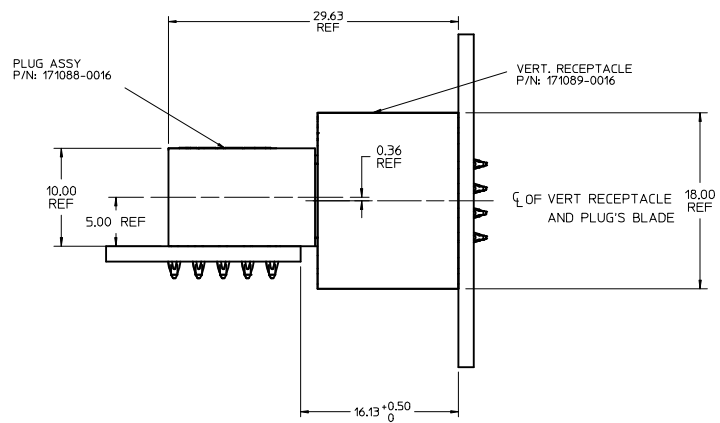
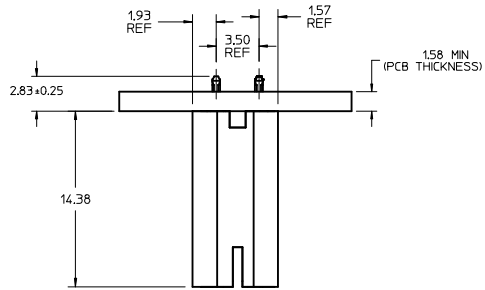
THESE PINS CONNECT
TO LEFT SHORT BLADE
(P1_1).

PIN ASSIGNMENT



ENTER DESCRIPTION IEC NO. UCF2016-0212 DRAWN: OUILLES 2015/09/30 CHKD: YLIN 2015/09/30 APPR: APATEL 2015/10/08	QUALITY SYMBOLS ▽=0 ▽=0 ▽=0	GENERAL TOLERANCES (UNLESS SPECIFIED)		DIMENSION STYLE MM ONLY	SCALE 8:1	DESIGN UNITS METRIC	THIRD ANGLE PROJECTION
		4 PLACES ± --- ± --- 3 PLACES ± --- ± --- 2 PLACES ± 0.25 ± --- 1 PLACE ± 0.25 ± --- 0 PLACE ± --- ± ---	mm INCH ± --- ± --- ± 0.25 ± --- ± 0.25 ± --- ± --- ± ---	DRAWN BY YLIN	DATE 2012/10/12	CHECKED BY DATE	TITLE TEN60SP VERT ASSY J-1SP-J
DRAFT WHERE APPLICABLE MUST REMAIN WITHIN DIMENSIONS		ANGULAR ±1/2°		MATERIAL NO. 171089-0016	DOCUMENT NO. SD-171089-0016	SHEET NO. 2 OF 2	
THIS DRAWING CONTAINS INFORMATION THAT IS PROPRIETARY TO MOLEX INCORPORATED AND SHOULD NOT BE USED WITHOUT WRITTEN PERMISSION							

3D MODEL NO.: TM-171088-0016



- NOTES:
- MATERIAL:
 - HOUSINGS: LCP UL94, V-0, COLOR: BLAC
 - TERMINALS: COPPER ALLOY
 - PLATING: 1.27 MICROMETER (50 MICROINCH) NICKEL OVERALL WITH 2.54 MICROMETER (100 MICROINCH) SELECTIVE GOLD ON CONTACT AREA AND 0.762 MICROMETER (30 MICROINCH) SELECTIVE GOLD ON CONTACT AREA
 - PACKAGING: ASSEMBLIES TO BE TRAY PACKED PER PACKAGING SPEC PK-171089-0001
 - PLATED THRU HOLE SIZE, REFER TO PS-171088-0000 FOR DETAILS
 - PRODUCT SPEC: PS-171088-0000
 - APPLICATION SPEC: AS-46436-100
 - PRODUCT TO MEET RoHS REQUIREMENTS
 - ASSEMBLY MATES TO MOLEX PLUG ASSEMBLY P/N 171088-0016
 - TAIL DESIGN: COMPLIANT PIN
 - POWER CONTACTS ARE LUBRICATED

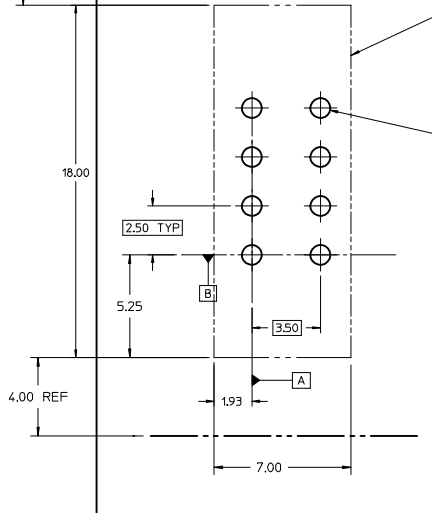
REVISE NOTE IEC NO: UCP2016-0212 DRAWN: JUILIN 2015/09/30 CHECKED: LIN 2015/09/30 APPR: APATEL 2015/10/08	QUALITY SYMBOLS	GENERAL TOLERANCES (UNLESS SPECIFIED)	DIMENSION STYLE	SCALE	DESIGN UNITS	THIRD ANGLE PROJECTION
	▽=0	mm INCH	MM ONLY	5:1	METRIC	☉
	▽=0	4 PLACES ± --- ± ---	DRAWN BY DATE	TITLE		
	▽=0	3 PLACES ± --- ± ---	VLIN 2012/10/12	TEN60SP VERT ASSY J-1SP-J		
▽=0	2 PLACES ± 0.25 ± ---	CHECKED BY DATE	molex			
▽=0	1 PLACE ± 0.25 ± ---	APPROVED BY DATE	DOCUMENT NO.			
▽=0	0 PLACE ± --- ± ---	SHONG 2013/04/25	SD-171089-0016			
	ANGULAR ±1/2°	MATERIAL NO.	SHEET NO.			
	DRAFT WHERE APPLICABLE MUST REMAIN WITHIN DIMENSIONS	171089-0016	1 OF 2			
		SIZE D	THIS DRAWING CONTAINS INFORMATION THAT IS PROPRIETARY TO MOLEX INCORPORATED AND SHOULD NOT BE USED WITHOUT WRITTEN PERMISSION			

ALLOW EXTRA SPACE
4.00mm PER SIDE
(REQUIRED FOR REWORK)

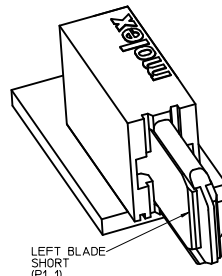
4.00 REF

CONNECTOR EDGE

SEE NOTE3
Ø1.02±0.05 (x8)
⊕1.02±0.10(A)B



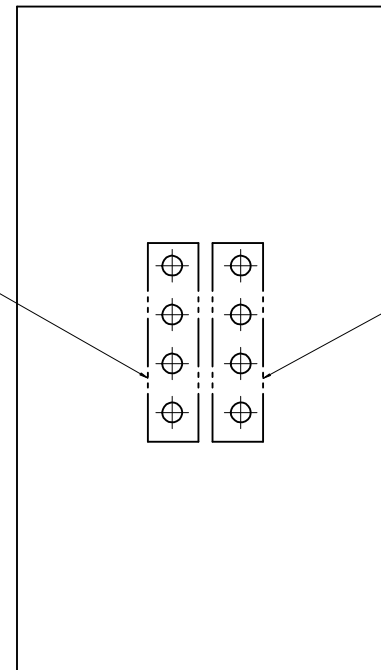
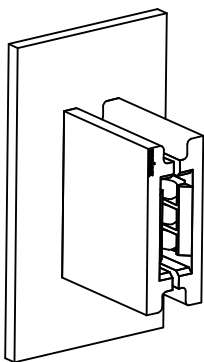
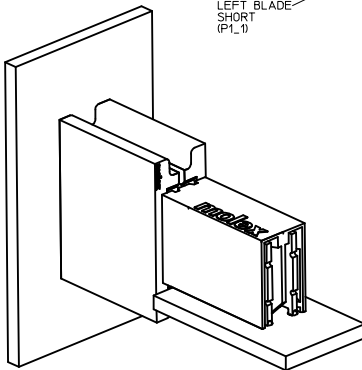
RECOMMENDED PCB LAYOUT
AND KEEP OUT ZONE



LEFT BLADE
SHORT
(P1_1)

RIGHT BLADE
LONG
(P1_2)

THESE PINS CONNECT
TO RIGHT LONG BLADE
(P1_2).



THESE PINS CONNECT
TO LEFT SHORT BLADE
(P1_1).

PIN ASSIGNMENT

ENTER DESCRIPTION IEC NO. UCF2016-0212 DRAWN: OUILLES 2015/09/30 CHKD: YLIN 2015/09/30 APPR: APATEL 2015/10/08	QUALITY SYMBOLS	GENERAL TOLERANCES (UNLESS SPECIFIED)	DIMENSION STYLE	SCALE	DESIGN UNITS	THIRD ANGLE PROJECTION
	▽=0	mm INCH	MM ONLY	8:1	METRIC	☉
	▽=0	4 PLACES ± --- ± ---	DRAWN BY DATE	TITLE		
	▽=0	3 PLACES ± --- ± ---	VLIN 2012/10/12	TEN60SP VERT ASSY J-1SP-J		
	2 PLACES ± 0.25 ± ---	CHECKED BY DATE	molex			
	1 PLACE ± 0.25 ± ---	APPROVED BY DATE	DOCUMENT NO.			SHEET NO.
	0 PLACE ± --- ± ---	SHONG 2013/04/25	171089-0016			SD-171089-0016 2 OF 2
	ANGULAR ±1/2°	DRAFT WHERE APPLICABLE MUST REMAIN WITHIN DIMENSIONS	THIS DRAWING CONTAINS INFORMATION THAT IS PROPRIETARY TO MOLEX INCORPORATED AND SHOULD NOT BE USED WITHOUT WRITTEN PERMISSION			