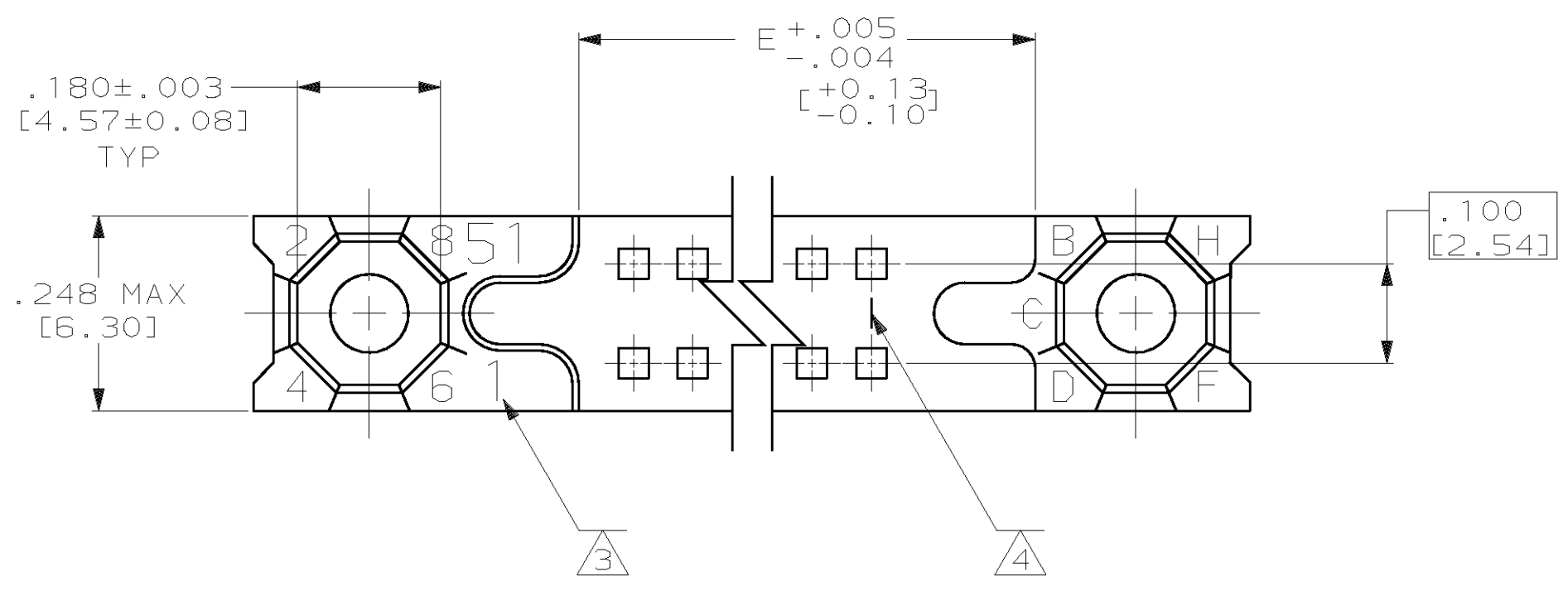
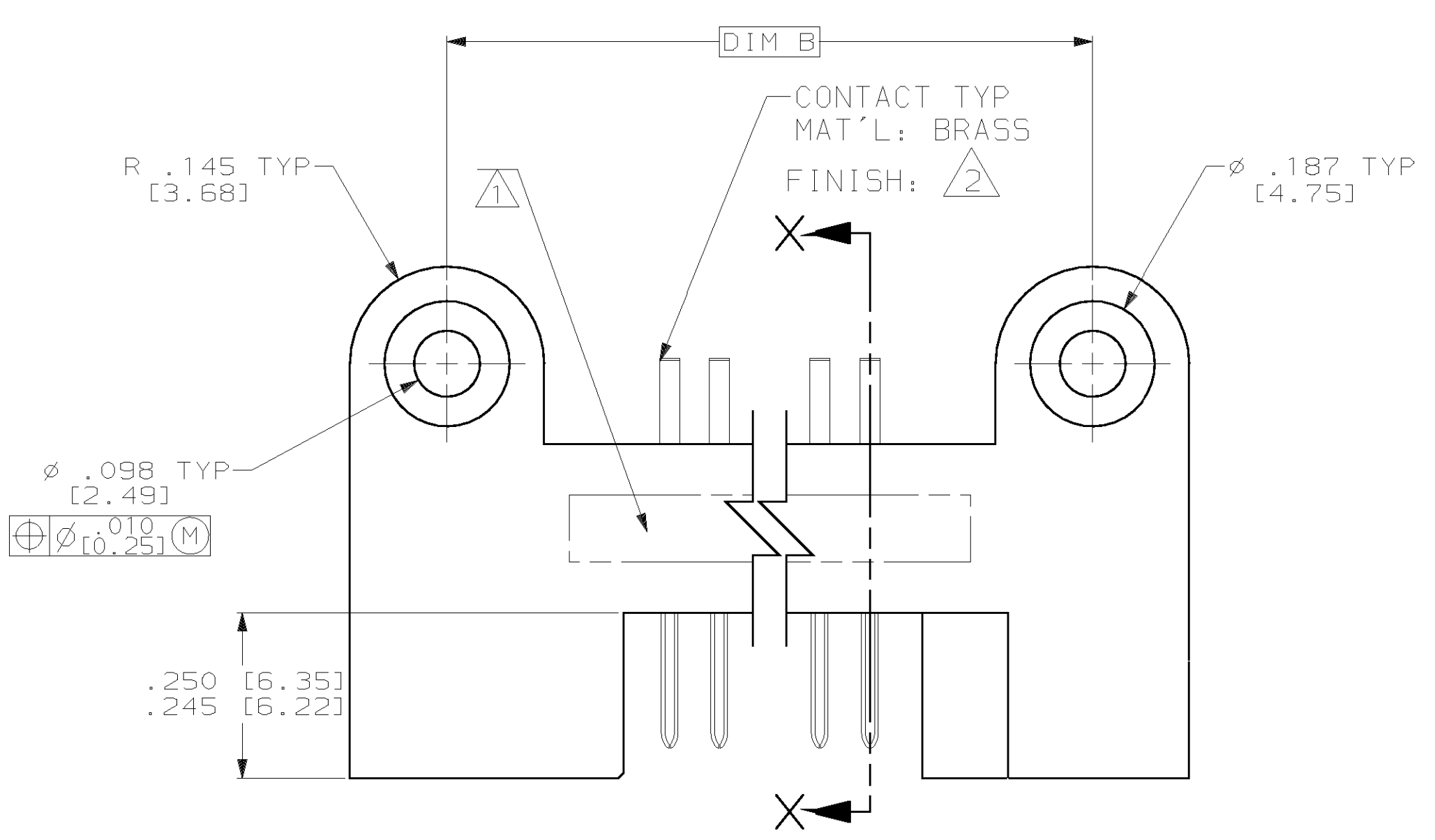
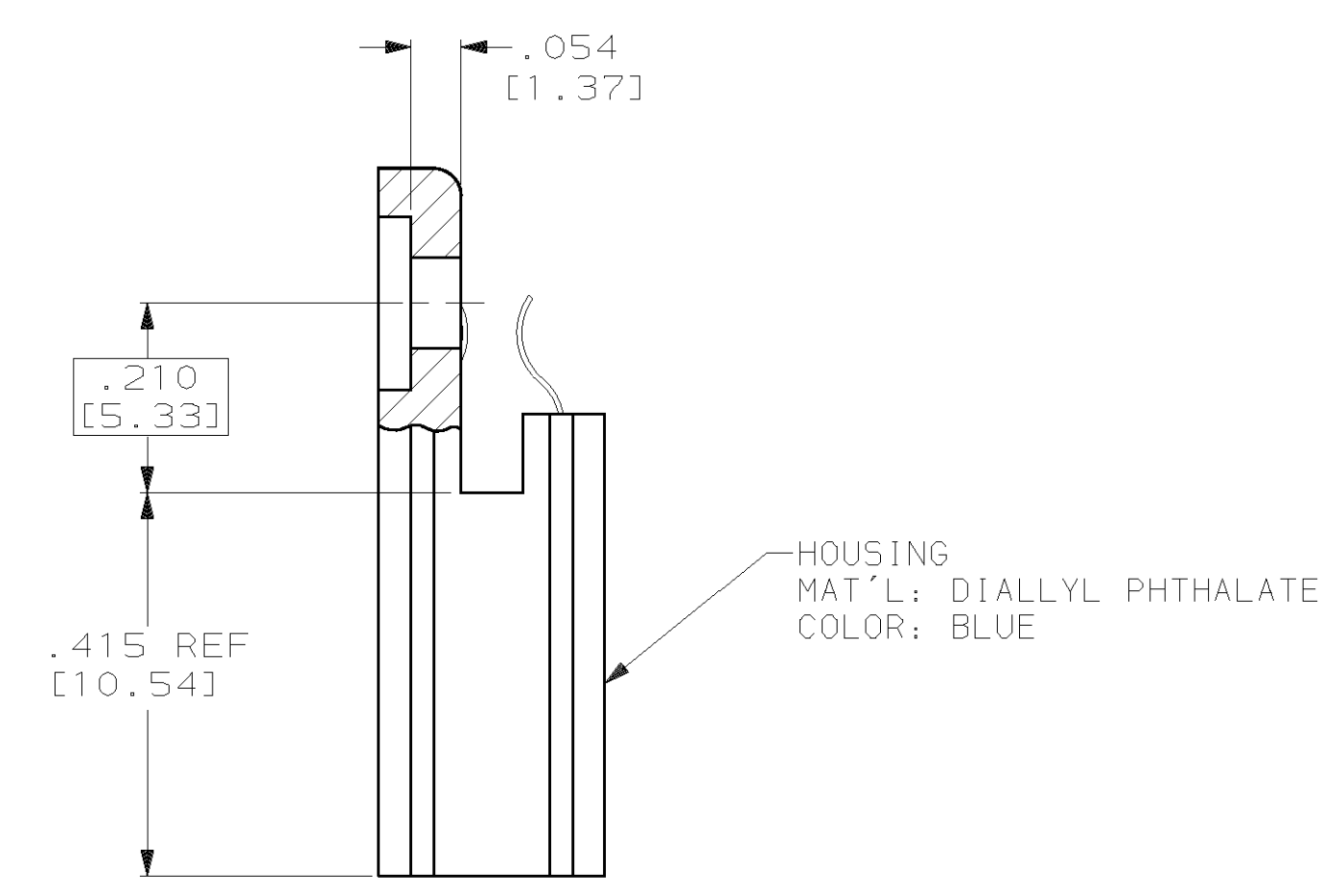
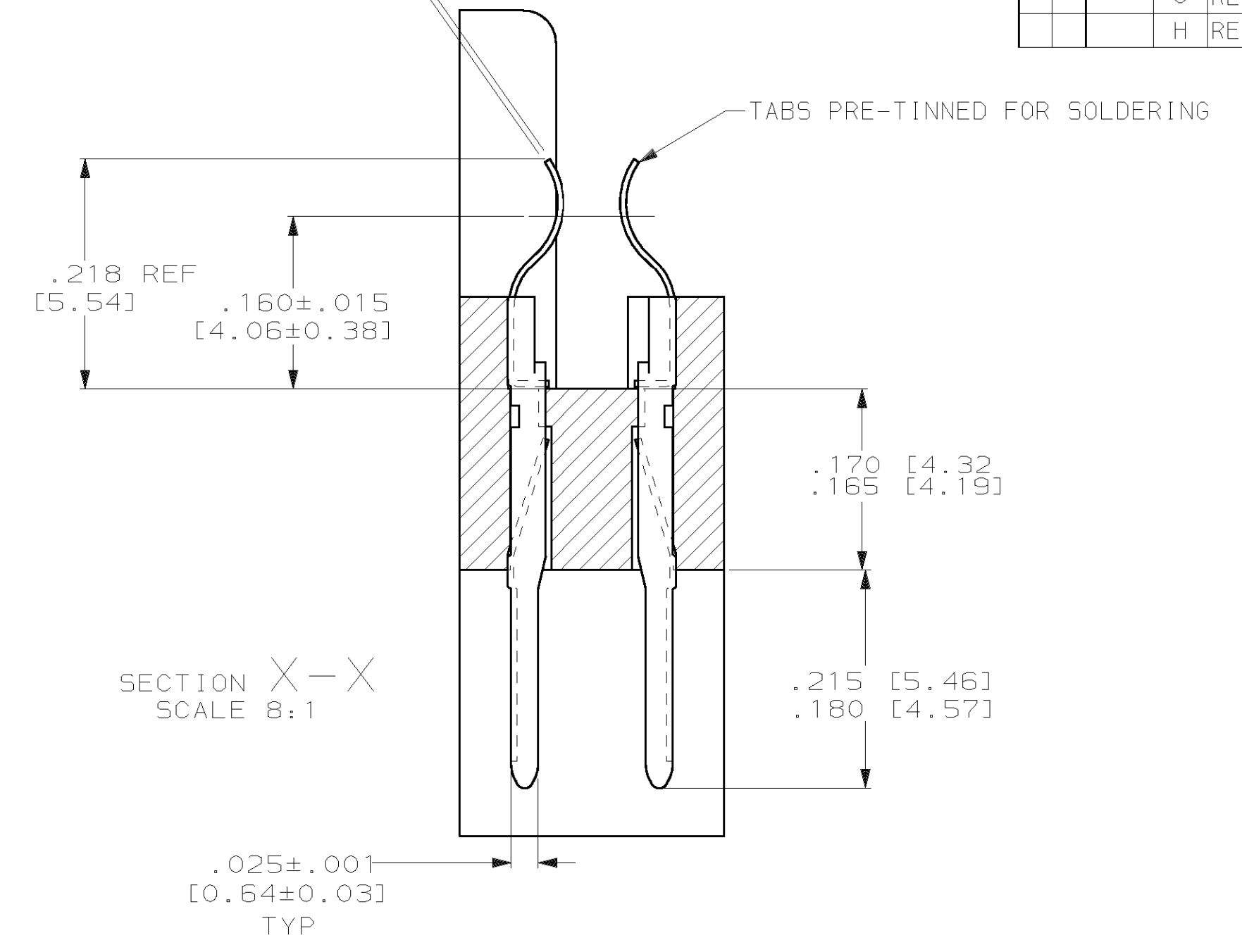
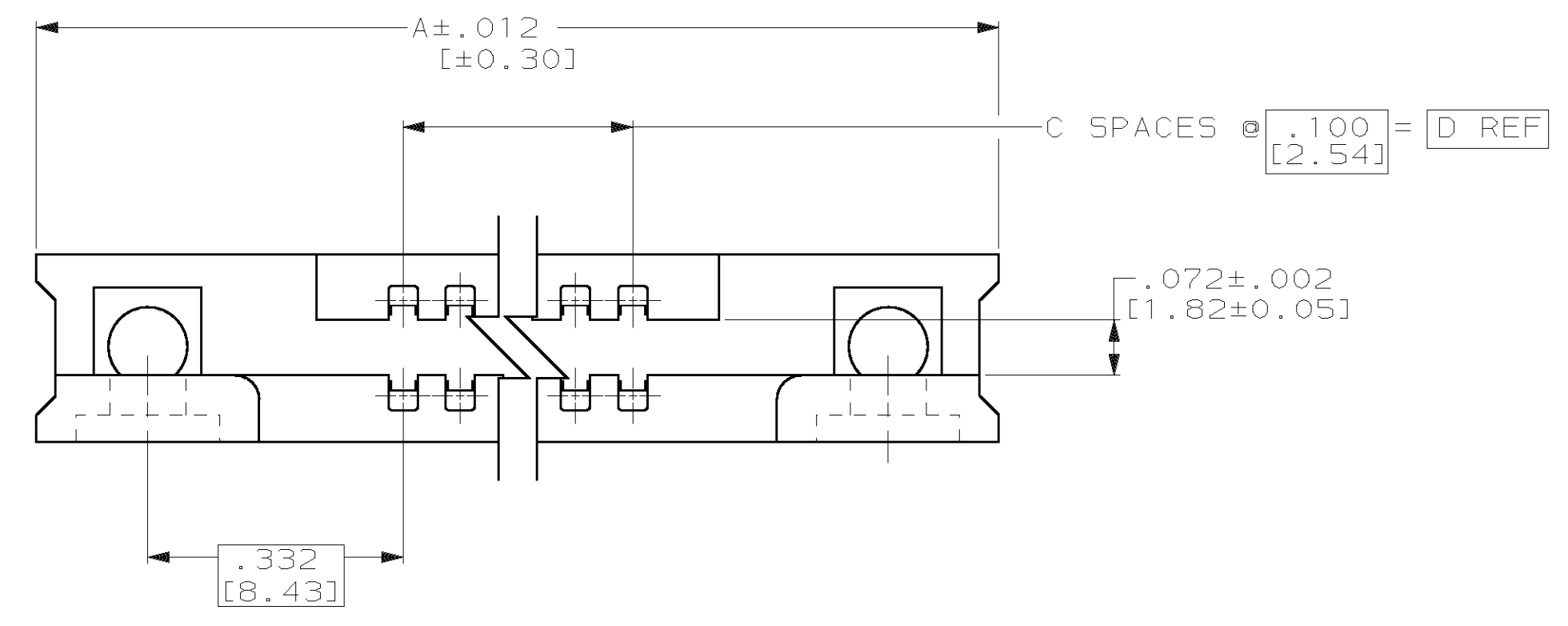


PROD CODE	LOC	DIST	P	F	ZONE	LTR	DESCRIPTION	DATE	APPD
5368	DF	FO							
							REV & REDRAWN; 0600-4188-95	CT 5-97	DM
							REV PER 0600-5641-96	TT 09-97	DM
							REV PER 0600-8454-99	JEB 01-00	DM

TAB .006 THICK X .030 WIDE  
 [0.14] [0.76]



	36 - 1	3.675 [93.35]	3.400 [86.36]	34	4.065 [103.25]	4.355 [110.62]	70	583580-9
OBSOLETE	21 - 1	2.175 [55.25]	1.900 [48.26]	19	2.565 [65.15]	2.855 [72.52]	40	583580-8
	16 - 1	1.675 [42.55]	1.400 [35.56]	14	2.065 [52.45]	2.355 [59.82]	30	583580-7
	51 - 1	5.175 [131.45]	4.900 [124.46]	49	5.565 [141.35]	5.855 [148.72]	100	583580-6
OBSOLETE	46 - 1	4.675 [118.75]	4.400 [111.76]	44	5.065 [128.65]	5.355 [136.02]	90	583580-5
	31 - 1	3.175 [80.65]	2.900 [73.66]	29	3.565 [90.55]	3.855 [97.92]	60	583580-4
OBSOLETE	56 - 1	5.675 [144.15]	5.400 [137.16]	54	6.065 [154.05]	6.355 [161.42]	110	583580-3
	41 - 1	4.175 [106.05]	3.900 [99.06]	39	4.565 [115.95]	4.855 [123.32]	80	583580-2
	26 - 1	2.675 [67.95]	2.400 [60.96]	24	3.065 [77.85]	3.355 [85.22]	50	583580-1

CAVITY IDENTIFICATION	E	D	C	B	A	NO OF POSN	PART NUMBER
DO NOT SCALE PRINT. UNLESS SPECIFIED DIMENSIONS IN INCHES [mm] TOLERANCES ON : 2 PLC DEC ± — 3 PLC DEC ± .005 [0.13] ANGLES ± —							
MATERIAL							
FINISH							

- ① AMP, AMP PART NO. AND DATE CODE MARKED IN THIS AREA.
- ② FINISH: .000030 [0.00076] GOLD IN CONTACT AREA, .000100 [0.00254] TIN-LEAD ON TAILS, OVER .000050 [0.00127] NICKEL, OVER ENTIRE CONTACT.
- ③ CAVITY IDENT NUMBERS MARKED OR MOLDED IN THIS AREA. (SEE TABLE)
- ④ LINES INDICATING EVERY FIFTH CAVITY MARKED OR MOLDED ON MATING FACE.

**AMP** AMP Incorporated  
 Harrisburg, PA 17105-3508

PIN HEADER ASSEMBLY, 1000 SERIES BOX

SIZE **D** CAGE CODE **00779** DRAWING NO **583580**  
 SCALE 5:1 SHEET 1 OF 1