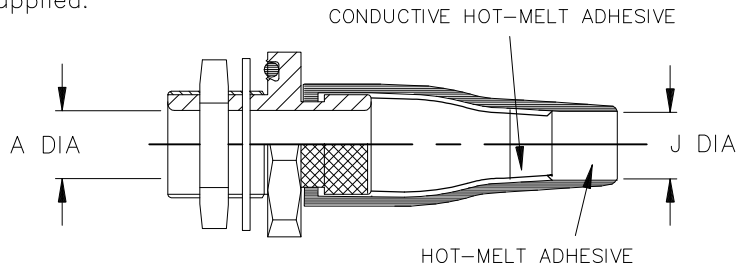
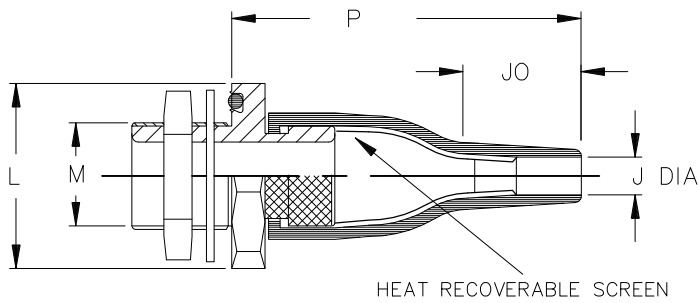


| REVISIONS | | | | | |
|-----------|-----|-------------------------------|-----------|-----|------|
| P | LTR | DESCRIPTION | DATE | DWN | APVD |
| 2 | | RELEASED AS PER ECO-17-009529 | 30JUN2017 | PV | MP |

a) Part as supplied.

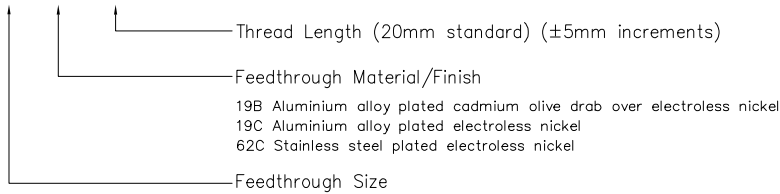


b) Part after unrestricted recovery.



NOTES:

TCFS-XX-XXX-0XX-25CW



Moulded Part Material: -25C (Black); Elastomer/Silver Composites, Fluid Resistant

Kits to include cleaning tissue, 1 piece 100 grit emery cloth & 1 piece of atom.

Kit to be used in conjunction with TCFS installation procedure.

Dimensions in mm [inches for reference]

| Part No. | A MIN | J | | M THREAD | A/F NUT | L NOM | P ±10% b | JO REF b |
|----------|-------------|-----------|------------|-------------|------------|-----------|----------------|----------------|
| | | MIN a | MAX b | | | | | |
| TCFS-12 | 7.4 [.29] | 8 [.31] | 5.0 [.20] | M12 X 1.5 | 17 [.67] | 24 [.94] | 50 [1.97] | 15 [.59] |
| TCFS-16 | 10.1 [.40] | 13 [.51] | 6.0 [.24] | M16 X 1.5 | 22 [.87] | 29 [1.14] | 65 [2.56] | 17 [.67] |
| TCFS-20 | 14.1 [.56] | 15 [.59] | 7.2 [.28] | M20 X 1.5 | 27 [1.06] | 34 [1.34] | 77 [3.03] | 20 [.79] |
| TCFS-24 | 19.1 [.75] | 19 [.75] | 8.5 [.33] | M24 X 1.5 | 30 [1.18] | 38 [1.50] | 90 [3.54] | 25 [.98] |
| TCFS-30 | 24.1 [.95] | 24 [.94] | 10.0 [.39] | M30 X 1.5 | 36 [1.42] | 47 [1.85] | 115 [4.53] | 30 [1.18] |
| TCFS-36 | 30.1 [1.19] | 33 [1.30] | 15.8 [.62] | M36 X 1.5 | 41 [1.61] | 52 [2.05] | 140 [5.51] | 30 [1.18] |

RELEASED FOR PUBLICATION

ALL RIGHTS RESERVED.

THIS DRAWING IS UNPUBLISHED.

COPYRIGHT 2016 By TE Connectivity

| | | | | | | |
|--|------------------|---------------|----------|-----------|--------|----------------------|
| DIMENSIONS: mm [INCHES] | DWN P. VU | 17OCT2016 | MATERIAL | SEE NOTES | FINISH | SEE NOTES |
| | CHK N. NAGAR | 17OCT2016 | | | | |
| TOLERANCES UNLESS OTHERWISE SPECIFIED: | APVD M. POPE | 17OCT2016 | | | | |
| 0 PLC ± - | PRODUCT SPEC | NAME | | | | ADAPTOR ASSEMBLY |
| 1 PLC ± - | — | SIZE | | | | A4 |
| 2 PLC ± - | APPLICATION SPEC | CAGE CODE | | | | 00779 |
| 3 PLC ± - | — | DRAWING NO | | | | TCFS-XX-XXX-0XX-25CW |
| 4 PLC ± - | — | RESTRICTED TO | | | | — |
| ANGLES ± - | WEIGHT | SCALE | | | | DNS |
| | | SHEET | | | | 1 OF 1 |
| CUSTOMER DRAWING | | REV | | | | 2 |