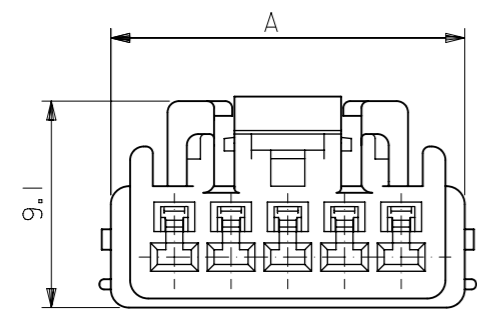
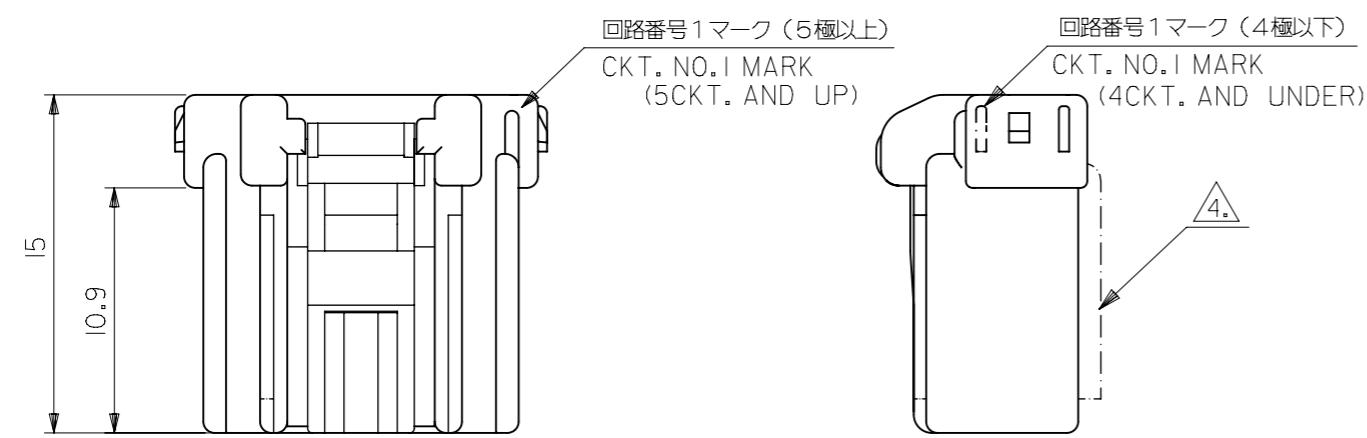
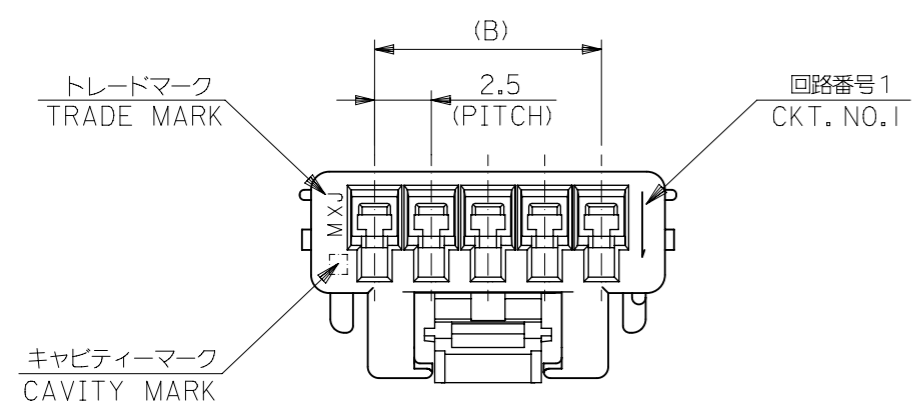


SHAPE OF
500592-050*



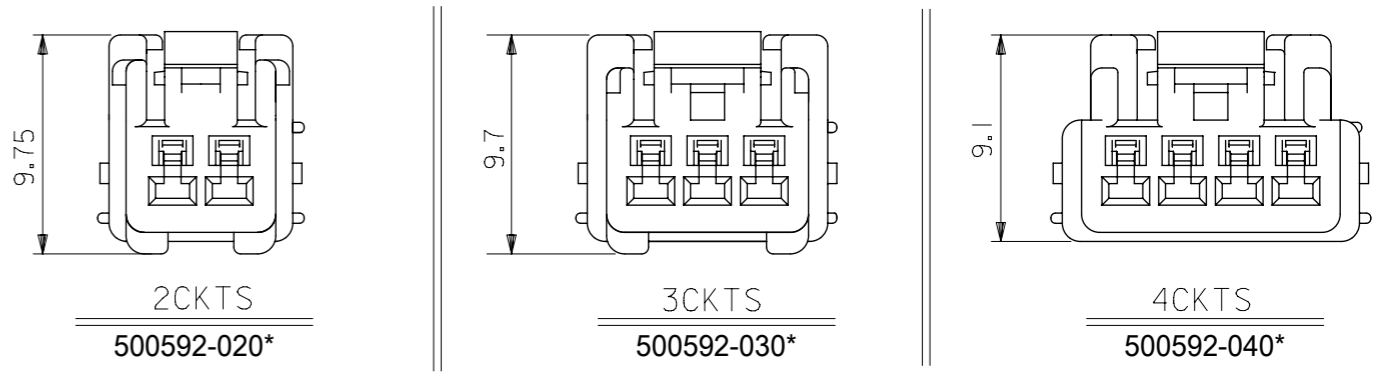
- 注記
NOTES
1. 適合ターミナル : 50397シリーズ
APPLICABLE TERMINAL : 50397 SERIES
 2. 適合リテーナー : 500817シリーズ
APPLICABLE RETAINER : 500817 SERIES
 3. 嵌合相手 : 500593シリーズ
MATE WITH : 500593 SERIES
 4. 2及び3極に適用。
APPLY 2&3 CIRCUITS.
 5. 材質 : PBT (UL94V-0)
MATERIAL : PBT(UL94V-0)

6. MATERIAL NO. は以下の内容を示す。
MATERIAL NO. :

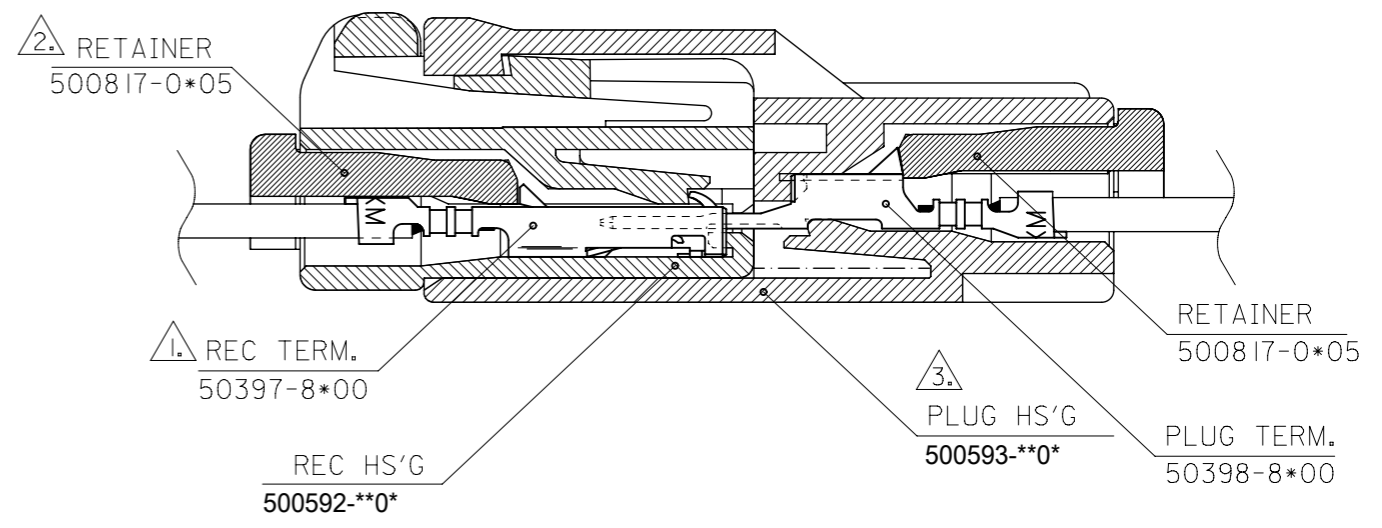
- 500592-**0*
- 極数 ← 色
CKT COLOR
- 0: 自然色 NATURAL
 - 1: 黒 BLACK
 - 2: 赤 RED
 - 3: 黄色 YELLOW
 - 4: 青 BLUE
 - 6: 緑 GREEN

PRE-RELEASE
REFERENCE
USE ONLY

4極以下での極数レイアウト図
LAYOUT OF 2/3/4CKTS.



ターミナル装着状態図
TERMINAL ASSEMBLY DRAWING



THIS DRAWING CONTAINS INFORMATION THAT IS PROPRIETARY TO MOLEX ELECTRONIC TECHNOLOGIES, LLC AND SHOULD NOT BE USED WITHOUT WRITTEN PERMISSION		500592-**0*		MODEL NO.	
DIMENSION UNITS mm	SCALE NTS	CURRENT REV DESC: OBSOLETE PART NUMBERS AS PER PCN#512131.			
GENERAL TOLERANCES (UNLESS SPECIFIED)		<p>molex</p> <p>2.5MM WIRE TO WIRE CONN RECEPTACLE HOUSING</p> <p>PRODUCT CUSTOMER DRAWING</p>			
ANGULAR TOL	± 3.0 °				
4 PLACES	± 0.2	EC NO: 727779	2022/10/26	<p>DOCUMENT NUMBER</p> <p>SD-500592-001</p> <p>DOC TYPE DOC PART REVISION</p> <p>PSD 001 C</p>	
3 PLACES	± 0.25	DRWN: ANIKES1	2022/11/29		
2 PLACES	± 0.3	CHK'D: GGA	2022/11/29		
1 PLACE	±	APPR: GGA	2022/11/29	<p>INITIAL REVISION:</p> <p>DRWN: TODA 2004/06/11</p> <p>APPR: YOITO 2004/06/16</p>	
0 PLACES	±				
DRAFT WHERE APPLICABLE MUST REMAIN WITHIN DIMENSIONS	THIRD ANGLE PROJECTION	DRAWING	SERIES	MATERIAL NUMBER	CUSTOMER
		A3-SIZE	500592	SEE TABLE	GENERAL MARKET
		SHEET NUMBER		1 OF 2	

10

9

8

7

6

5

4

3

2

1

F

F

E

E

D

D

C

C

B

B

A

A

500593-080*	500817-0805	17.5	23.1	8	---	---	---	---	500592-0800	
↑ -070*	↑ -0705	15	20.6	7	---	---	---	---	↑ -0700	
-060*	-0605	12.5	18.1	6	---	---	---	---	-0600	
-050*	-0505	10	15.6	5	---	---	---	---	-0500	500592-***
-040*	-0405	7.5	13.1	4	---	500592-0403	---	---	-0400	
↓ -030*	↓ -0305	5	10.6	3	500592-0304	---	---	---	↓ -0300	
500593-020*	500817-0205	2.5	8.1	2	500592-0204	500592-0203	500592-0202	500592-0201	500592-0200	
MATE WITH	CONFORTABLE-RETAINER	B	A	CKT.	BLUE	YELLOW	RED	BLACK	NATURAL	MODEL NO.

PRE-RELEASE
 REFERENCE ONLY
 USE ONLY

THIS DRAWING CONTAINS INFORMATION THAT IS PROPRIETARY TO MOLEX ELECTRONIC TECHNOLOGIES, LLC AND SHOULD NOT BE USED WITHOUT WRITTEN PERMISSION

DIMENSION UNITS	SCALE	CURRENT REV DESC: OBSOLETE PART NUMBERS AS PER PCN#512131.	molex		
mm	NTS				
GENERAL TOLERANCES (UNLESS SPECIFIED)			2.5MM WIRE TO WIRE CONN RECEPTACLE HOUSING		
ANGULAR TOL	± 3.0 °	EC NO: 727779	PRODUCT CUSTOMER DRAWING		
4 PLACES	± 0.2	DRWN: ANIKES1 2022/10/26	DOCUMENT NUMBER		
3 PLACES	± 0.25	CHK'D: GGA 2022/11/29	SD-500592-001		
2 PLACES	± 0.3	APPR: GGA 2022/11/29	DOC TYPE	DOC PART	REVISION
1 PLACE	±	INITIAL REVISION:	PSD	001	C
0 PLACES	±	DRWN: TODA 2004/06/11	SHEET NUMBER		
DRAFT WHERE APPLICABLE MUST REMAIN WITHIN DIMENSIONS		APPR: YOITO 2004/06/16	MATERIAL NUMBER	CUSTOMER	2 OF 2
THIRD ANGLE PROJECTION		DRAWING	SERIES		
		A3-SIZE	500592	SEE TABLE	GENERAL MARKET

DOCUMENT STATUS	P1	RELEASE DATE	2022/11/29	12:45:08
-----------------	----	--------------	------------	----------

FORMAT: master-b-prod-A3 REVISION: 11 DATE: 2021/05/01

9 8 7 6 5 4 3 2 1