

## SUMMARY



Image is for illustrative purpose only

### # Wires

Low voltage 3

Series	0B
Termination type	Female solder
IP rating	50
AWG wire size	28.00 - 20.00
Cable Ø	3.30 - 4.20 mm
Status	active
Matching parts	<a href="#">EGJ.0B.303.CLA</a>

### Download

- [Request a quote](#)
- [Eplan](#)
- [Catalog](#)

## TECHNICAL DETAILS

### Mechanics

Shell Style/Model	FP*: Elbow (90°) plug with cable collet
Keying	2 keys (gamma=45, plug: female contacts, receptacle: male contacts)
Housing Material	Brass (chrome plated [SAE AMS 2460]) shell and collet nut, nickel plated [SAE AMS QQ N 290] brass latch sleeve and mid pieces
Weight	10.80 g

### Performance

Configuration	0B.303 : 3 Low Voltage
Insulator	L: PEEK (UL 94 / V-0/1.5)
Rated Current	8 Amps

### Specifications

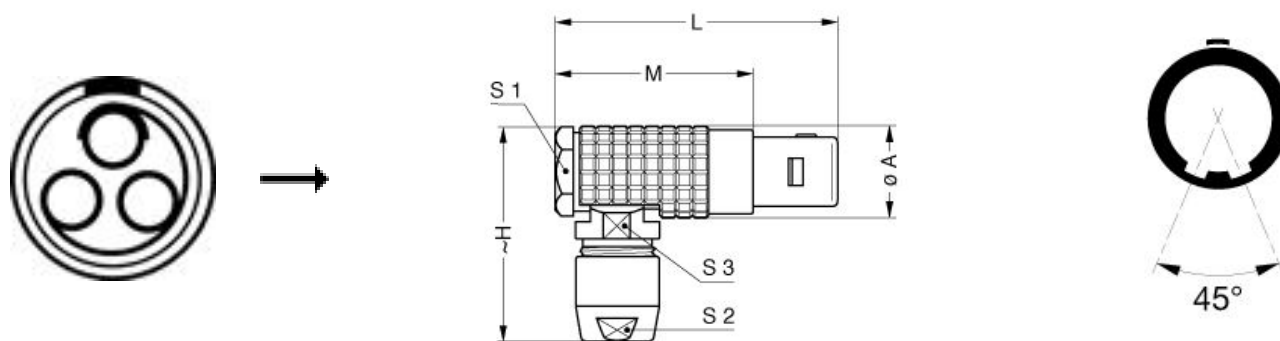
- Contact Type: Solder
- Contact Dia.: 0.9 mm (0.035in)
- Bucket Dia.: 1.0 mm (0.039in)
- Max. Solid Conductor: 0.56 mm<sup>2</sup> (AWG 20)
- Max. Stranded Conductor: 0.56 mm<sup>2</sup> (AWG 20)
- R (max): 4.8 mOhm
- Vtest (contact-shell): 900 V (AC), 1270 V (DC)
- Vtest (contact-contact): 1200 V (AC), 1700 V (DC)

LEMO products and services are provided "as is". LEMO makes no warranties or representations with regard to LEMO product & services or use of them, express, implied or statutory, including for accuracy, completeness, or security. The user is fully responsible for his products and applications using LEMO components.

## Others

Endurance (Shell): 5000  
 Temp (min / max): -55 °C / +250 °C  
 Humidity (max): <=95% [at 60 deg C / 140 F]  
 Vibration: 15 g [10 Hz - 2000 Hz]  
 Shock Resistance: 100 g [ 6 ms]  
 Climatical Category: 50/175/21  
 Shielding (min): 75 dB (10 MHz)  
 Shielding (min): 40 dB (1 GHz)  
 Salt Spray Corrosion: >1000 hr

## DRAWINGS



## Dimensions

	A	H	L	M	S1	S2	S3
mm.	9.5	23	30	20	8	7	8
in.	0,37	0,91	1,18	0,79	0,31	0,28	0,31

## RECOMMENDED BY LEMO

### Tools

Spanner wrench: [DCD.0B.ZZZ.PA070](#)

*LEMO products and services are provided "as is". LEMO makes no warranties or representations with regard to LEMO product & services or use of them, express, implied or statutory, including for accuracy, completeness, or security. The user is fully responsible for his products and applications using LEMO components.*

## Cables

30110	PVC	Grey	
3280	PVC	Black	

*LEMO products and services are provided "as is". LEMO makes no warranties or representations with regard to LEMO product & services or use of them, express, implied or statutory, including for accuracy, completeness, or security. The user is fully responsible for his products and applications using LEMO components.*