

PLUG

M	3	M		
J	2	J		
M	1	MI		
MFG.	SH.	REV.	LTR.	REVISIONS

DIMENSIONS SHOWN (METRIC) INCH  
UNLESS OTHERWISE SPECIFIED TOLERANCES: ANGULAR ± 10°

3 PLACE	± .010	---
2 PLACE	± .014	± 0.25
1 PLACE	---	± 0.36

DRAFT WHERE APPLICABLE MUST REMAIN WITHIN DIMENSIONS

DRWG. BY: *JUS* CHK'D. BY: RW  
APP'D. BY: RAS SCALE: 2 : 1

FILE NAME: S31916X1 DGN

TITLE: .093/(2.36) HOUSING PLUG AND RECEPTACLE 6 CKT. .264/(6.70) CTRS.

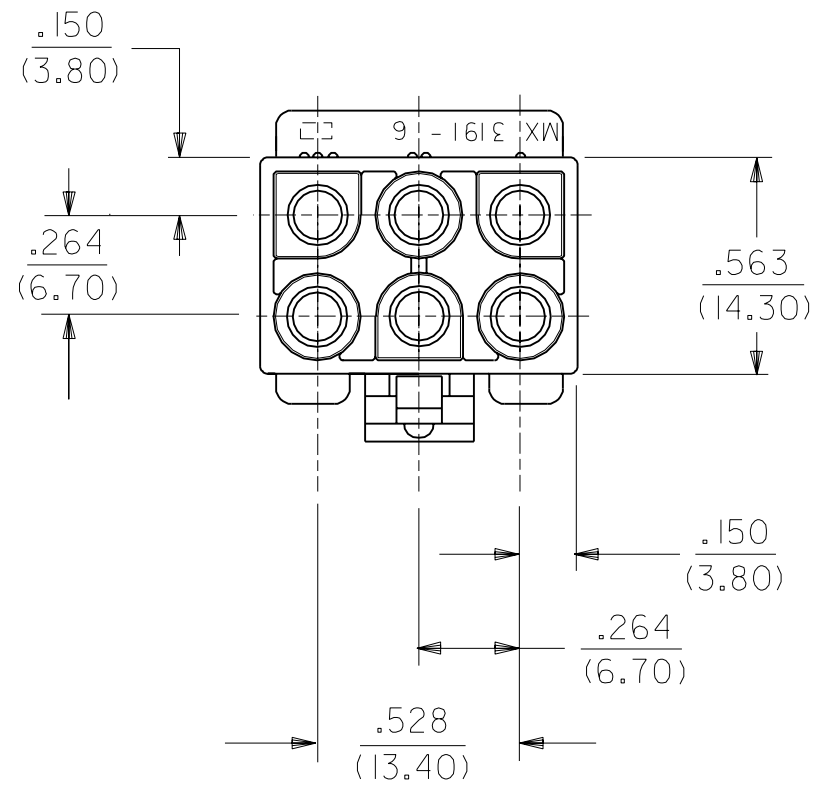
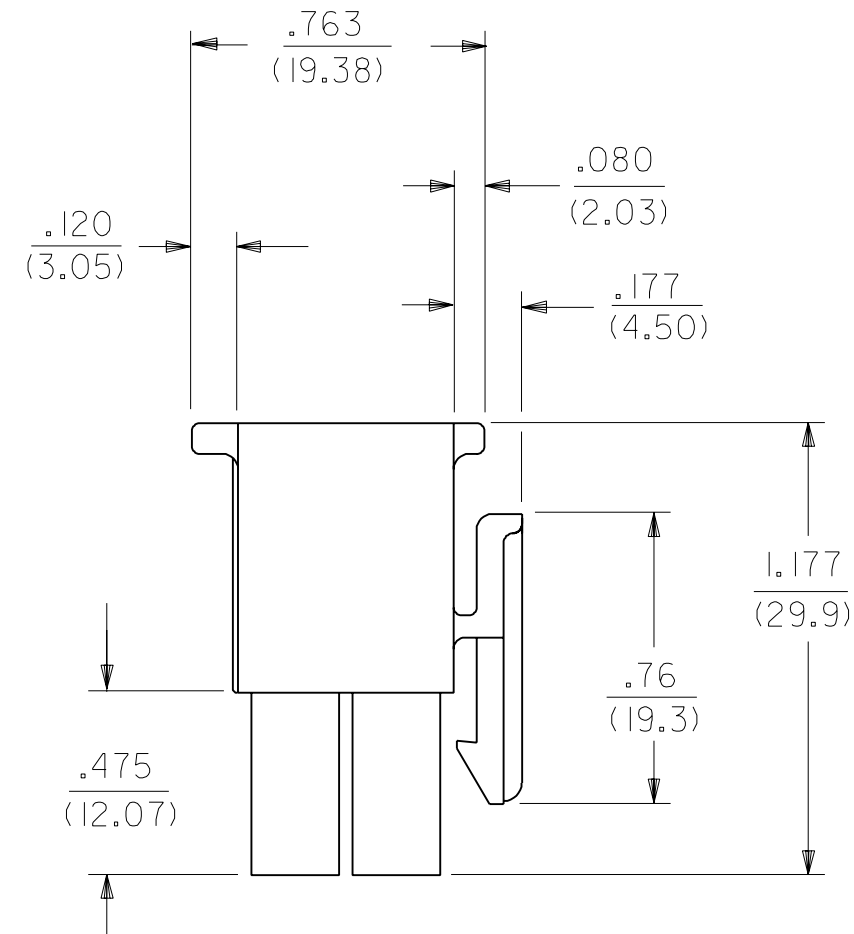
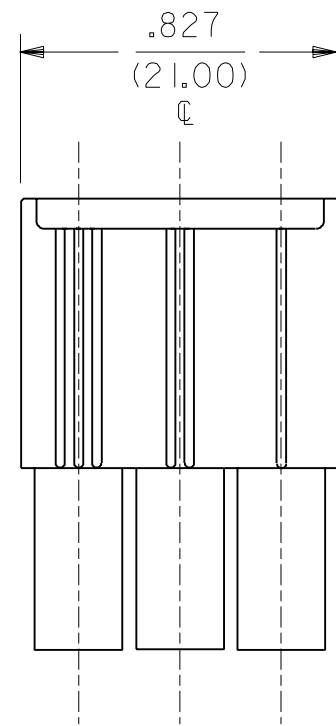
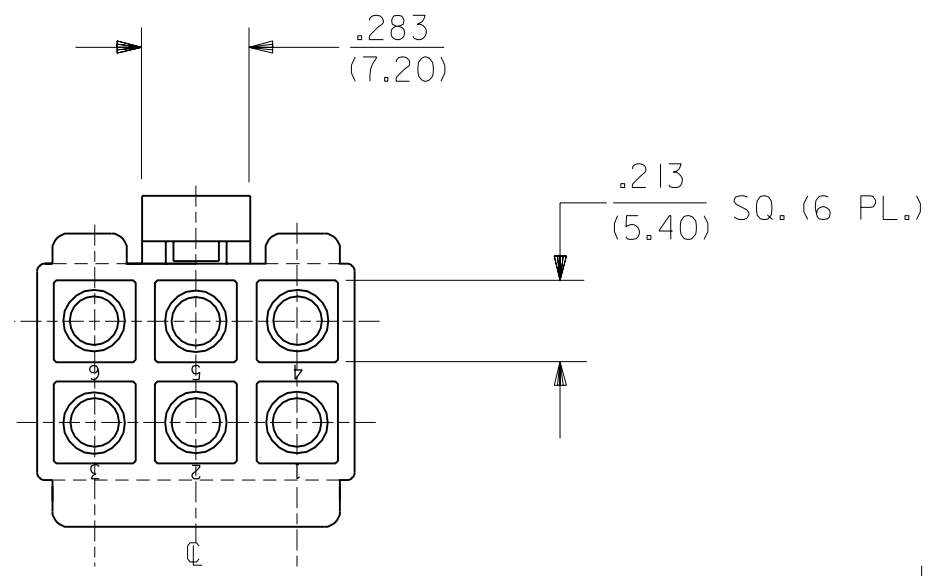
MOLEX INCORPORATED LISLE, ILL. 60532 U.S.A.

SHEET NO. 1 OF 3 DATE 1/25/88

PART NO. SEE CHART DRWG. NO. SD-3191-6\*

THIS DRAWING CONTAINS INFORMATION THAT IS PROPRIETARY TO MOLEX INC. AND SHOULD NOT BE USED WITHOUT WRITTEN PERMISSION.

13 12 11 10 9 8 7 6 3191 4 3 2 1



RECEPTACLE

DIMENSIONS SHOWN (METRIC) INCH  
UNLESS OTHERWISE SPECIFIED  
TOLERANCES: ANGULAR ± 10°

	INCH	METRIC
3 PLACE	± .010	---
2 PLACE	± .014	± 0.25
1 PLACE	---	± 0.36

DRAFT WHERE APPLICABLE MUST  
REMAIN WITHIN DIMENSIONS

▽ =	▼ =	REVISE ONLY ON CAD SYSTEM
TITLE .093/(2.36) HOUSING PLUG AND RECEPTACLE 6 CIRCUIT, .264/(6.70)CTRS		
MOLEX	MOLEX INCORPORATED LITSE, ILL. 60532 U.S.A.	SHEET NO. 2 DATE 1/22/88
PART NO. SEE SHEET 3		DRWG. NO. SD-3191-6*

DRWG. BY JJS	CHK'D. BY RW
APP'D. BY RAS	SCALE 2:1
LTR.	REVISIONS
LTR.	REVISIONS

13 12 11 10 9 8 7 6 5 4 3 2 1

PLUG	
PART NO.	ENG. NO.
19-09-2068	3191-6P
19-09-2069	3191-6P1
19-09-2067	3191-6P-201
19-09-2066	3191-6P1-201
19-09-7069	3191-6PRD
19-09-7068	3191-6PBK

RECEPTACLE	
PART NO.	ENG. NO.
19-09-1069	3191-6R1
19-09-1066	3191-6R1-201
19-09-6060	3191-6RIRD
19-09-6069	3191-6RIBK

**LEGEND:**

3191-6\*\*\*\*-\*

CIRCUIT SIZE

P = PLUG

R = RECEPTACLE

EARS: BLANK = WITH PREBENT EARS (PLUG ONLY)

I = WITHOUT EARS

COLOR: BLANK = NATURAL COLOR

AM=AMBER BK=BLACK BU=BLUE

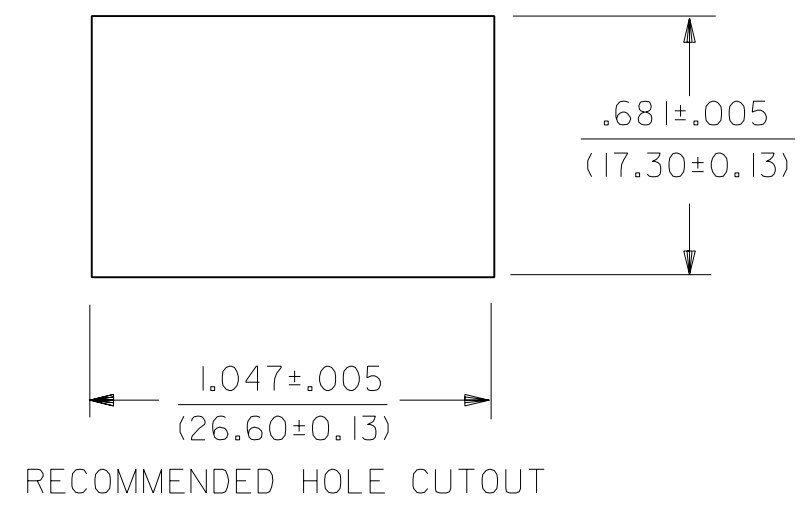
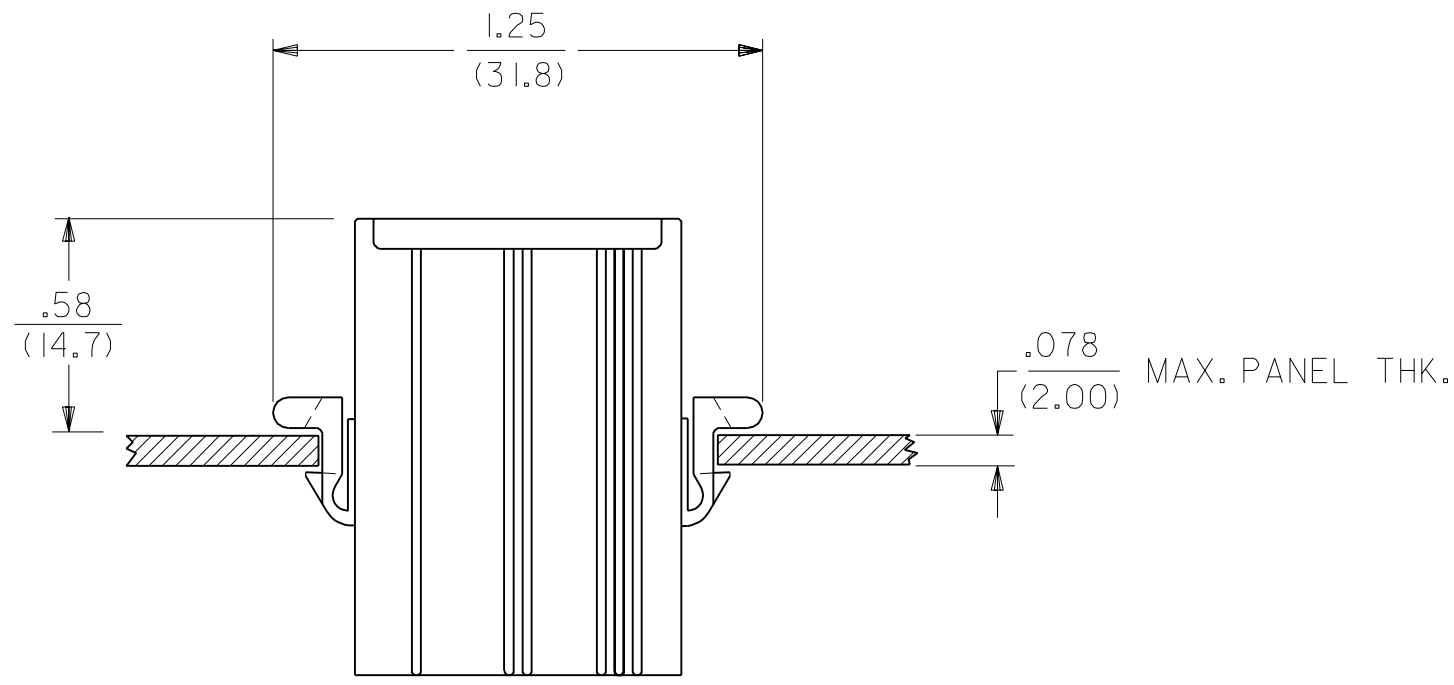
BN=BROWN GY=GRAY GN=GREEN

OR=ORANGE RD=RED YW=YELLOW

COLORS AVAILABLE ONLY IN 94V-2 MATERIAL

MATERIAL: BLANK=NYLON TYPE 6/6, 94V-2

201=NYLON TYPE 6/6, 94V-0



MOUNTING HOLE DETAIL

DIMENSIONS SHOWN (METRIC) INCH		▽ =	▼ =	REVISE ONLY ON CAD SYSTEM
UNLESS OTHERWISE SPECIFIED TOLERANCES: ANGULAR ± 10°		TITLE		
3 PLACE ± .010 ---		.093/(2.36) HOUSINGS		
2 PLACE ± .014 ± 0.25		PLUG AND RECEPTACLE		
1 PLACE --- ± 0.36		6 CKT., .264/(6.70) CTRS.		
DRAFT WHERE APPLICABLE MUST REMAIN WITHIN DIMENSIONS		MOLEX INCORPORATED		
DRWG. BY: JJS		SHEET NO. 3		
CHK'D. BY: RW		DATE 1/22/88		
APP'D. BY: RAS		PART NO. SD-3191-6*		
SCALE ---:---		FILE NAME S31916X3 DGN		
		THIS DRAWING CONTAINS INFORMATION THAT IS PROPRIETARY TO MOLEX INC. AND SHOULD NOT BE USED WITHOUT WRITTEN PERMISSION.		
		DIV. CP		
		SIZE C		

LTR.	REVISIONS	LTR.	REVISIONS
M	SEE SHEET I		
L	SEE SHT. I		
K	SEE SHT. I		
J	SEE SHT. I		

3191