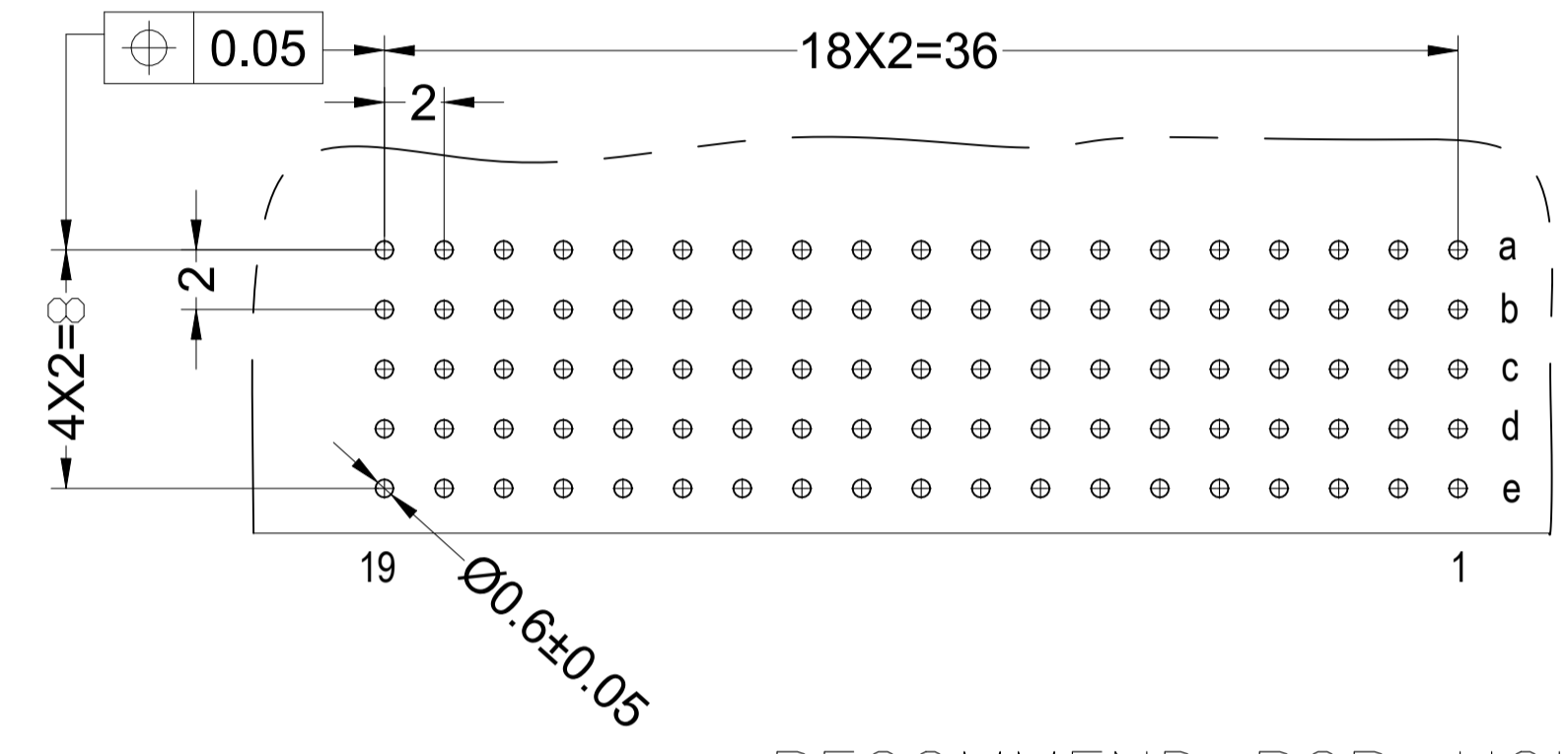
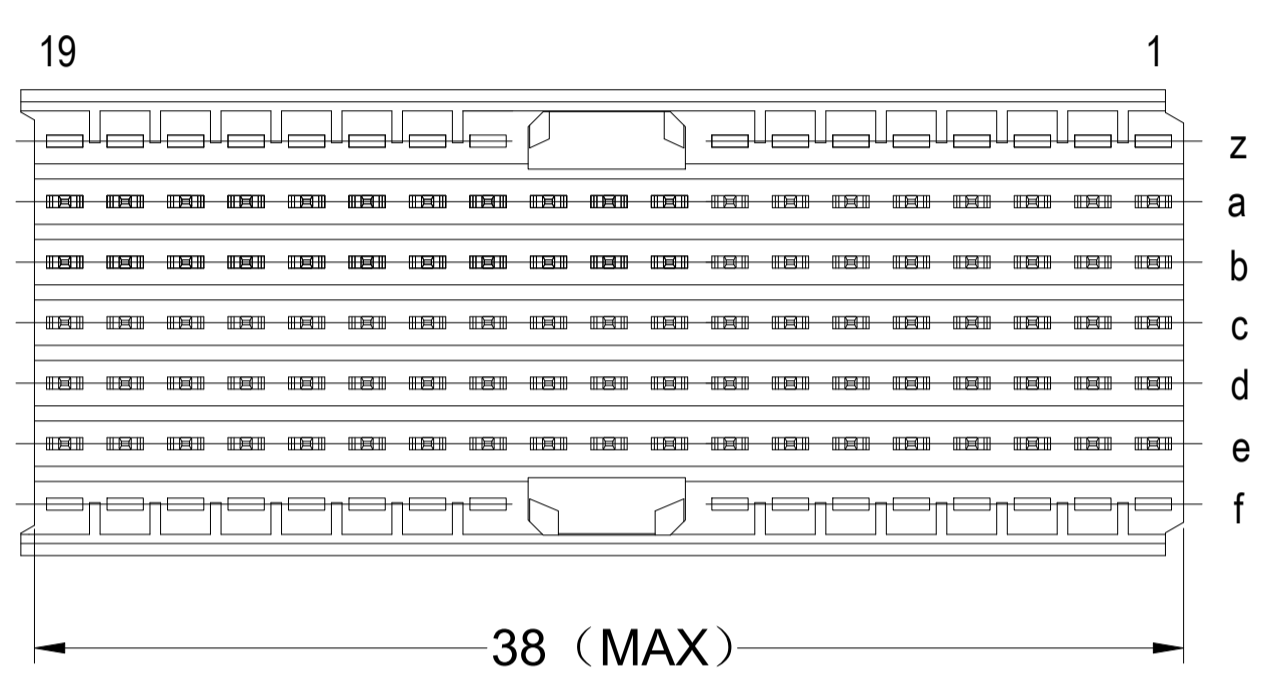
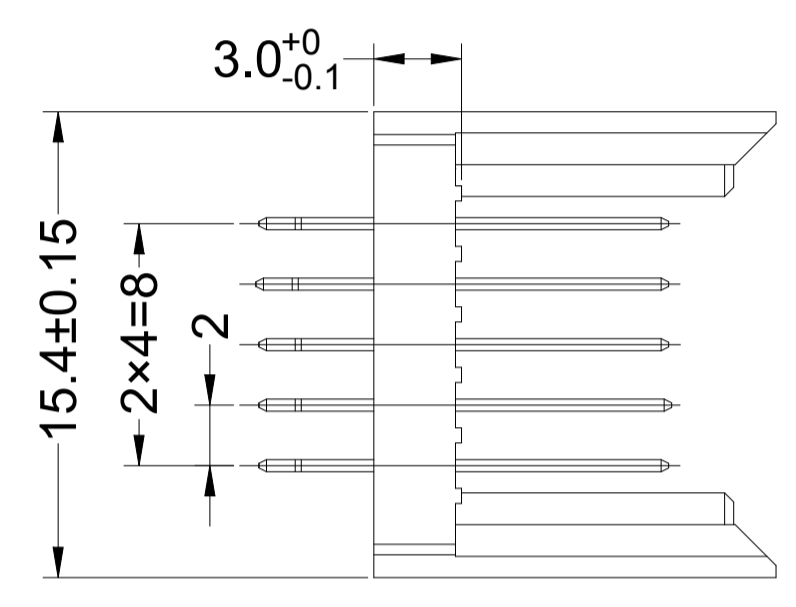
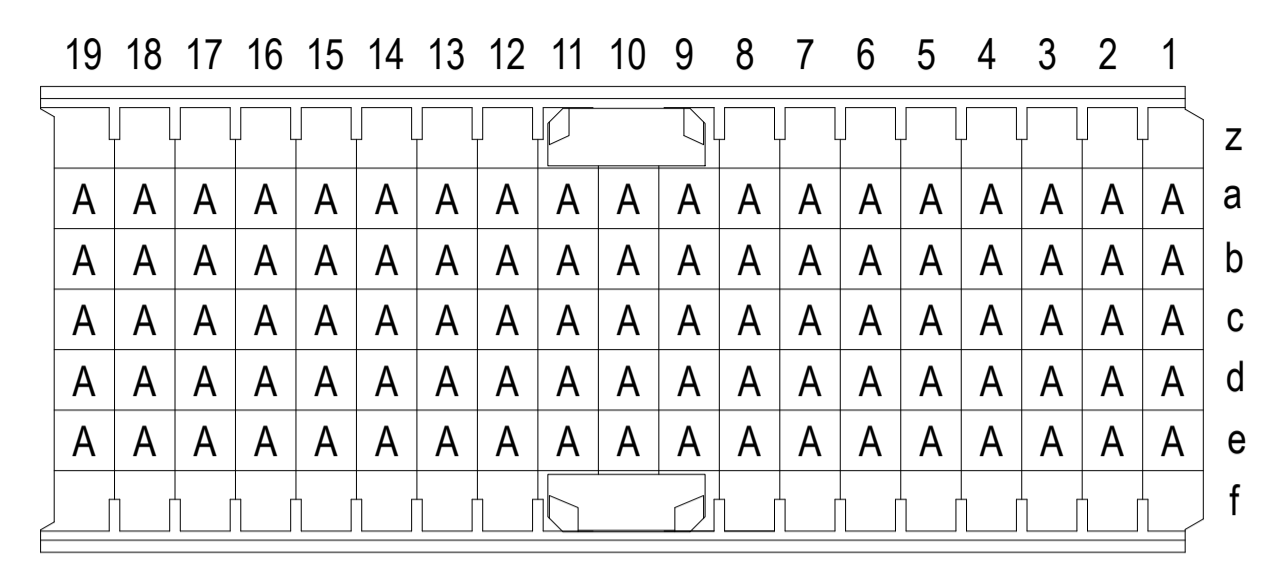
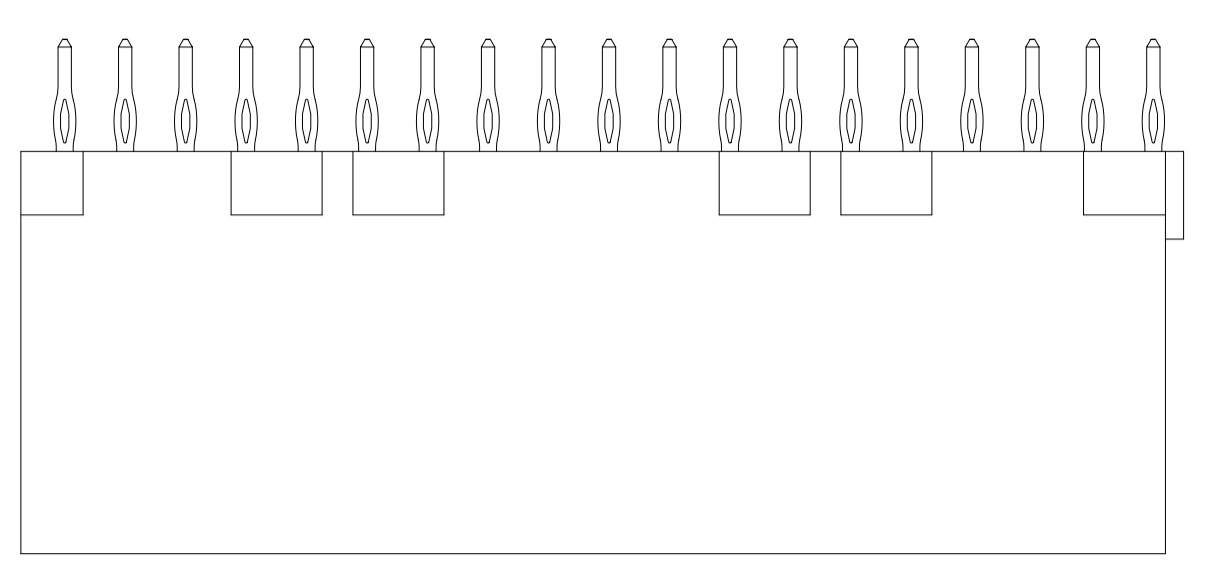
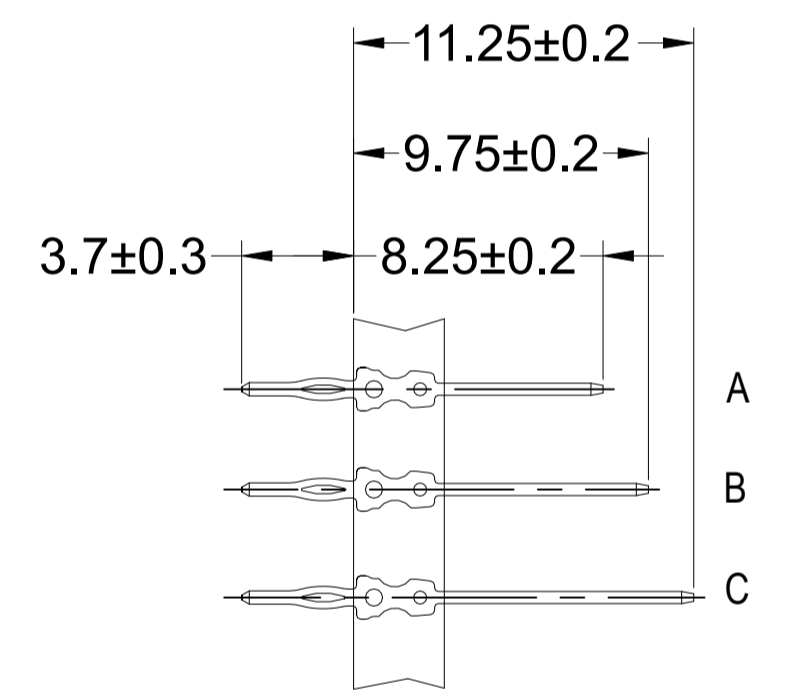
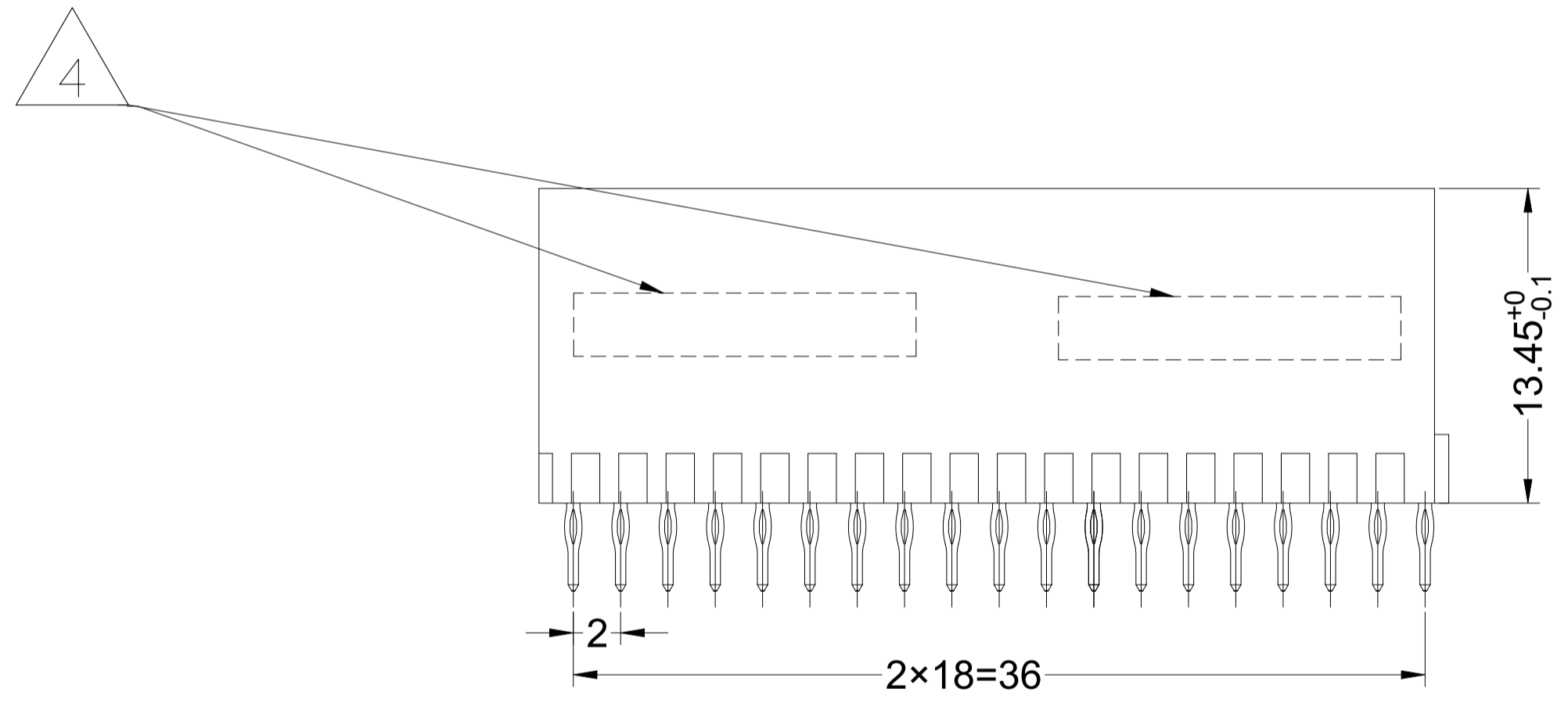


REVISIONS				
REV	DESCRIPTION	DATE	BY	APP'D
A	INITIAL DRAWING	18OCT2021	TL	HL



RECOMMEND PCB-HOLE LAYOUT
COMPONENT SIDE SHOWN
TOLERANCE ±0.05



- 1 MATERIAL:
CONTACT: COPPER ALLOY.
HOUSING: GLASS-FILLED POLYESTER.
- 2 GENERAL PLATING SPECIFICATION: UNDERPLATING
(ENTIRE CONTACT): 1.27μm MIN NICKEL AND ACTION
PIN: 0.5μm MIN TIN.
FOR PLATING OF MATING SURFACES SEE APPLICABLE
SPECIFICATION REFERENCE FOR EACH DASH NUMBER.
- 3 CONFORMS TO ALL TESTING ACCORDING TO IEC 61076-4-101
PERFORMANCE LEVEL 2.
- 4 CONNECTOR MARKED WITH PART NUMBER AND DATE CODE.

2/3	2392189-1
FINISH	PART NUMBER

THIS DRAWING IS A CONTROLLED DOCUMENT.		DIN TONY LI 27MAY2021	TE Connectivity Ltd.	
DIMENSIONS: mm		CHK ALEX XU 27MAY2021	NAME MALE ASSEMBLY, Z-PACK 2mm HM, 95P TYPE A/B EON	
TOLERANCES UNLESS OTHERWISE SPECIFIED:		APVD HOPE LU 27MAY2021	PRODUCT SPEC 108-19082	
0-PLC ±		APPLICATION SPEC 114-160149		
1-PLC ±0.2		SIZE CAGE CODE DRAWING NO. RESTRICTED TO		
2-PLC ±		A1 00779 C=2392189		
3-PLC ±		WEIGHT 0		
4-PLC ±		CUSTOMER DRAWING		
ANGLES ±		SCALE 4:1 SHEET 1 of 1 REV A		