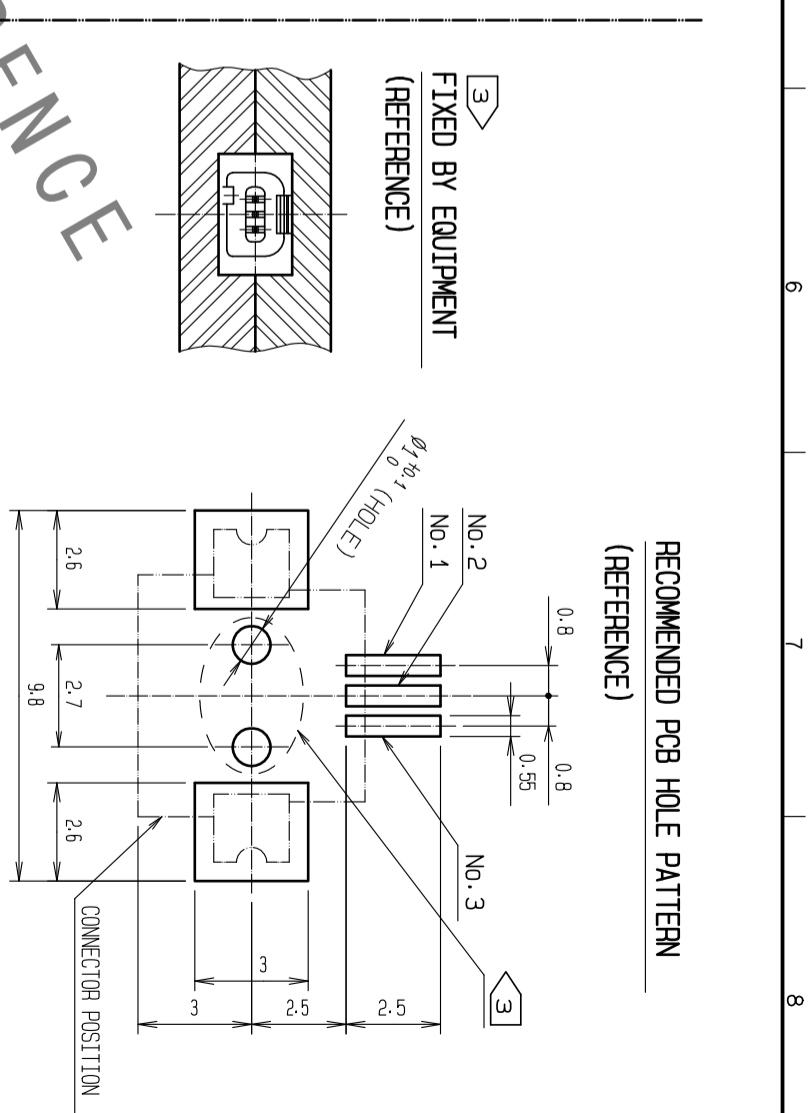


1 CHART-1 POLARIZATION

POLARIZATION	
NO. 1 (+)	POWER
NO. 2 (+)	SIGNAL
NO. 3 (-)	POWER



NOTES

- 1 POLARIZATION IS AS SHOWN ON CHART-1.
- 2 COPLANARITY (INCLUDING METAL FITTING) SHALL BE 0.05 FROM DATUM PLANE.
- 3 FIXING TO PCB OF THIS PRODUCT IS SOLDER TYPE. WE RECOMMEND TO USE ADHESIVE ON PCB SURFACE. AND FIX THIS PRODUCT BY THE BODY OF EQUIPMENT ITSELF.
- 4 DIRECTION FOR USE. PLEASE DO NOT USE FOR THE PURPOSE OF INTERRUPTING THE CURRENT.

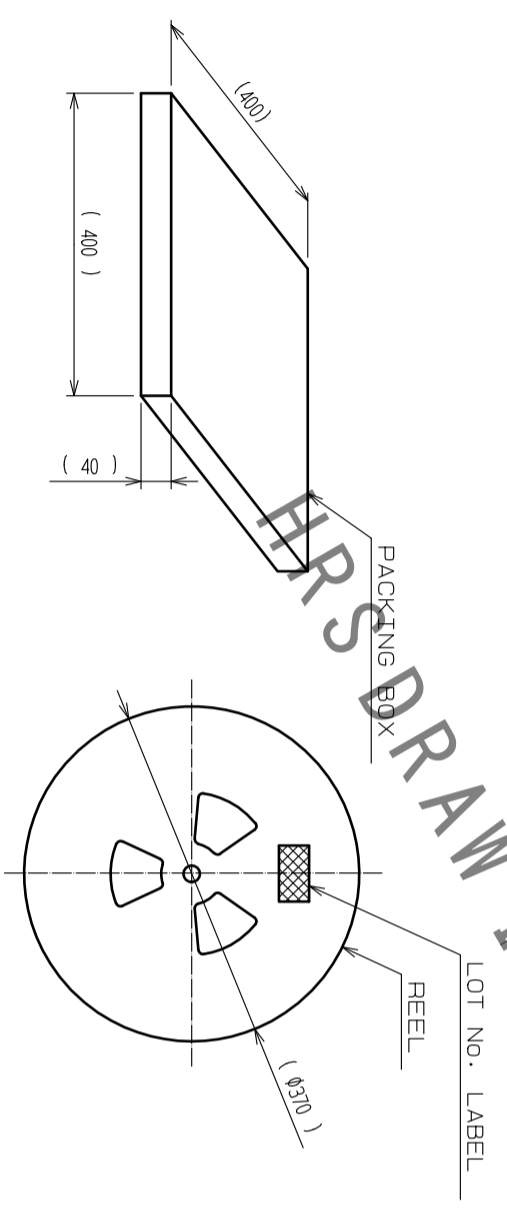
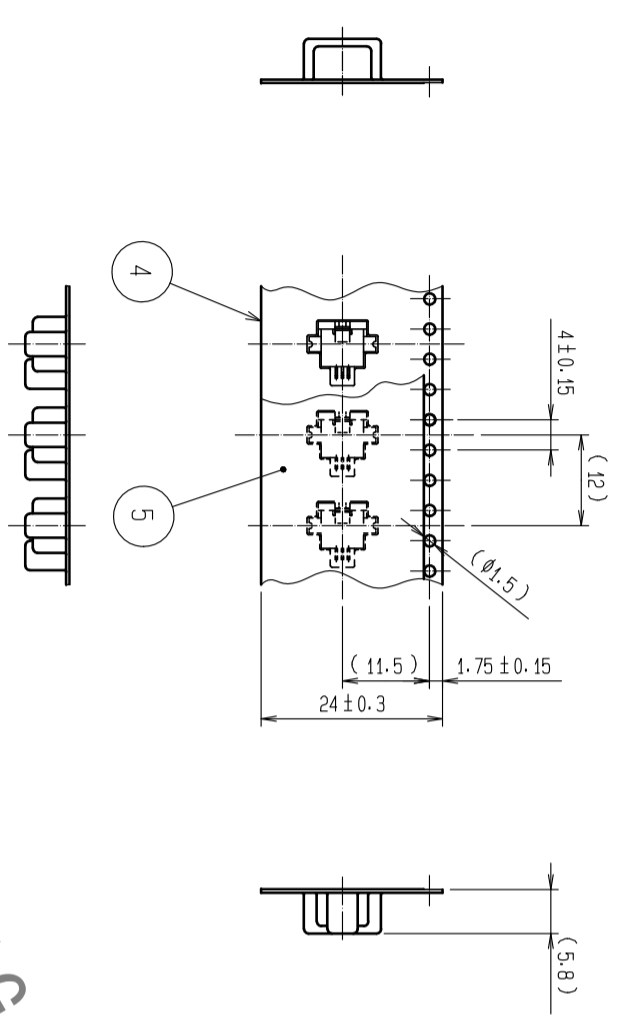
NO.	UNITS	MATERIAL	FINISH	REMARKS	NO.	MATERIAL	FINISH	REMARKS
1	POLYAMIDE	BLACK UL94V-0			3	STAINLESS STEEL		GOLD PLATING 0.03µm MIN. UNDER PLATING NICKEL 0.2µm MIN.
2	COPPER ALLOY				4	PS		
					5	PS		

CONTACT AREA:	PALLADIUM NICKEL 0.7µm MIN.
LEAD AREA:	GOLD 0.03µm MIN.
UNDER PLATING:	NICKEL 1.27µm MIN.

APPROVED	MM. NISHIMATSU	15.10.27	DRAWING NO.	EDC-120677-33-00
CHECKED	KN. ICHIKAWA	15.10.27	PART NO.	MQ172-3PA(33)
DESIGNED	TS. ITO	15.10.27	CODE	CL206-0950-4-33
DRAWN	AK. AKIYAMA	15.10.27	NO.	

5 DRAWING FOR PACKAGING
(SCALE: FREE)

UNREELING DIRECTION



(FOR EXAMPLE) LOT NO. LABEL

PRODUCTION DATE	YEAR / MONTH / DAY
CODE No.	206-0950-4-33
PART No.	MQ172-3PA(33)
DELIVERY QUANTITY	1000 PCS
SUPPLIER	Hirose Electric Co., Ltd.

NOTE 5 1 REEL: 1000 PCS CONNECTORS.

