

© - TE Connectivity. All Rights Reserved.

REVISIONS

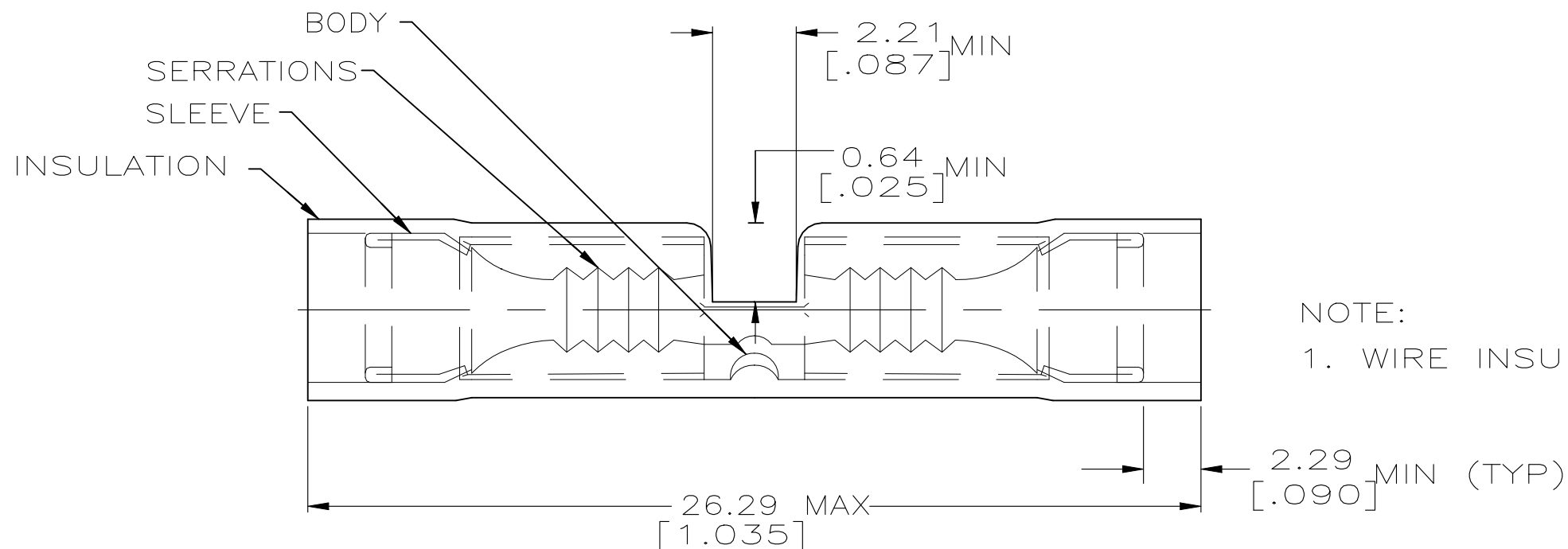
P	LTR	DESCRIPTION	DATE	DWN	APVD
	M3	REVISED PER ECN-22-156403	03JUN2022	RK	CSD

**AMP**  
WIRE RANGE

24-20 AWG  
STRANDED

**METRIC**

DIMENSIONS LISTED IN mm [ INCHES ]



NOTE:  
1. WIRE INSULATION DIA 1.02[.040] TO 2.54[.100]

-	2500	ON TAPE	2-323975-3
M7928/5-2 CLASS 1	50	LOOSE PIECE	323975
MILITARY PART NUMBER & CLASS PER MIL-T-7928	QTY	PACKAGE TYPE	PART NO

AMP INCORPORATED  
CUSTOMER SERVICE SYSTEMS

FOR ADDITIONAL  
PRODUCT INFORMATION OR  
COPIES OF DRAWINGS  
AND TECHNICAL DOCUMENTS

PRODUCT INFORMATION CENTER  
1-800-522-6752

FOR APPLICATION  
TOOLING INFORMATION

TOOLING ASSISTANCE CENTER  
1-800-722-1111

FOR ORDER ENTRY

1-800-526-5142

THIS DRAWING IS A CONTROLLED DOCUMENT FOR  
AMP INCORPORATED. IT IS SUBJECT TO CHANGE  
AND THE CONTROLLING ENGINEERING ORGANIZATION  
SHOULD BE CONTACTED FOR THE LATEST REVISION.

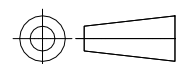
MAX RECOMMENDED OPERATING  
TEMPERATURE:  
105° C

VOLTAGE RATING:  
-

CIRCULAR MIL AREA:  
0.16 - 0.65mm<sup>2</sup> [320-1,290]  
STRANDED

THIS DRAWING IS A CONTROLLED DOCUMENT.

DIMENSIONS:  
mm[INCHES]



TOLERANCES UNLESS  
OTHERWISE SPECIFIED:

- 0 PLC ± -
- 1 PLC ± -
- 2 PLC ± 0.20[.008]
- 3 PLC ± -
- 4 PLC ± -
- ANGLES ± -

MATERIAL  
COPPER PER ASTM B-152  
NYLON, COLOR:NATURAL

FINISH  
TIN PLATE  
PER MIL-T-10727

DWN S.S. GOULDEN 9-28-93

CHK R. HERSEY 9-28-93

APVD S. BORTNER 9-28-93

PRODUCT SPEC

-

APPLICATION SPEC

WEIGHT

CUSTOMER DRAWING



NAME  
SPLICE, BUTT, P.I.D.G.,  
WIRE SIZE: 24-20 AWG

SIZE A3 CAGE CODE 00779 DRAWING NO C-323975 RESTRICTED TO -

SCALE NTS SHEET 1 OF 1 REV M3