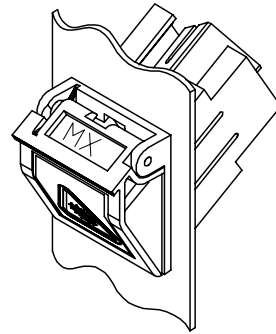
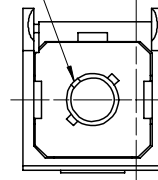


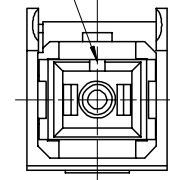
KIT P/N	VERSION	SLEEVE MATERIAL	BEZEL FRAME/DOOR COLOR	ADAPTER COLOR	DOOR TYPE
106004-3580	1 (ST-SC)	PHOSPHOR BRONZE	METAL/METAL	METAL	MX LOGO
106004-3581		ZIRCONIA	METAL/BLACK		
106004-3587		PHOSPHOR BRONZE	METAL/METAL		
106004-3582	2 (FC-SC)	ZIRCONIA	METAL/BLACK		
106004-3583		PHOSPHOR BRONZE	METAL/METAL		
106004-3596	3 (SC-SC)	ZIRCONIA	METAL/BLACK		
106004-3584		N/A	BLACK/BLACK	BLACK	
106004-3585		PHOSPHOR BRONZE	METAL/METAL		
106004-3586	4 (MTP-MTP)	ZIRCONIA	METAL/BLACK	METAL	
106004-3588		N/A	BLACK/BLACK	BLACK	
106004-3589		PHOSPHOR BRONZE	METAL/METAL		
106004-3590	1 (ST-SC)	ZIRCONIA	METAL/METAL	METAL	NO LOGO
106004-3591		PHOSPHOR BRONZE	METAL/METAL		
106004-3592	2 (FC-SC)	ZIRCONIA	METAL/METAL		
106004-3593		PHOSPHOR BRONZE	METAL/METAL		
106004-3594	3 (SC-SC)	ZIRCONIA	METAL/METAL		
106004-3595		PHOSPHOR BRONZE	METAL/METAL		
106004-3598	4 (MTP-MTP)	N/A	BLACK/BLACK	BLACK	
106004-3599		PHOSPHOR BRONZE	METAL/METAL		



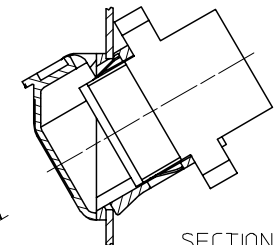
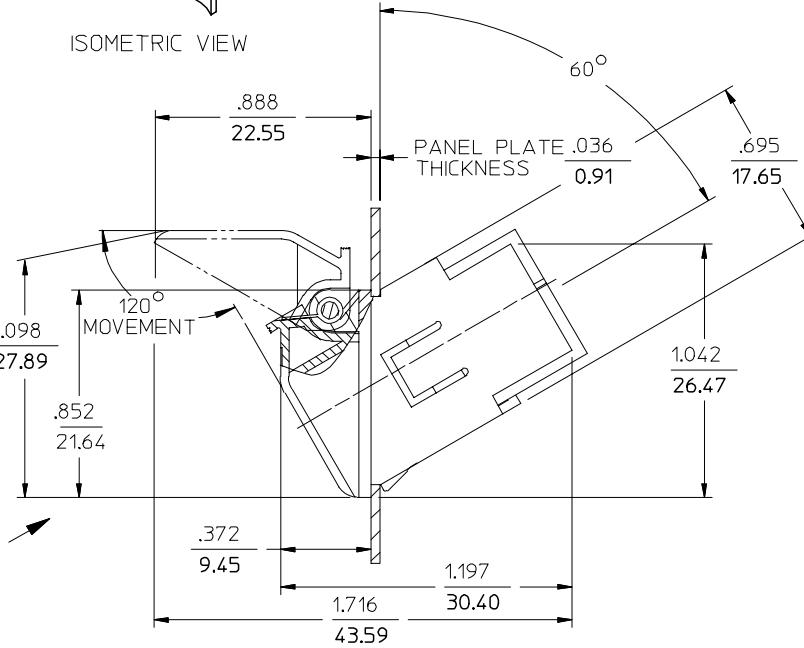
ISOMETRIC VIEW



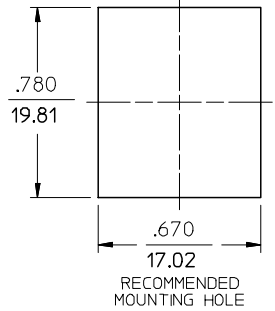
VIEW A
VERSION 1 & 2 (KEY LOCATION)
DOOR REMOVED
ROTATED 30° CW



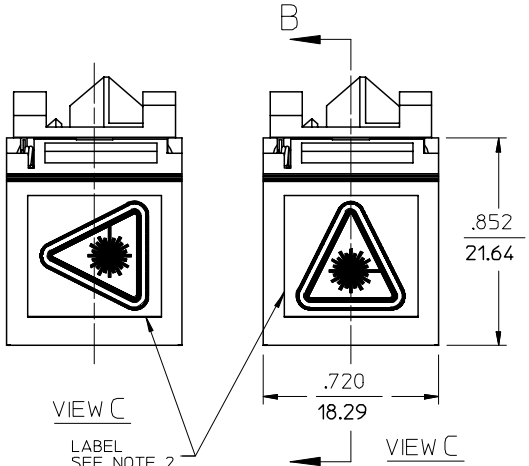
VIEW A
VERSION 3 (SC-SC)
DOOR REMOVED
ROTATED 30° CW



SECTION B-B
VERSION 4 (MTP-MTP)
SEE NOTE 3



RECOMMENDED MOUNTING HOLE



VIEW C
LABEL SEE NOTE 2

- NOTES:
- LABEL TO BE INSTALLED BY CUSTOMER.
 - MTP-MTP ADAPTER (VERSION 4) TO BE ASSEMBLED BY CUSTOMER, AFTER BEZEL IS INSTALLED IN PANEL CUTOUT.

ENTER DESCRIPTION EC NO: MF2006-0824 DRWNG/REVZNR 2006/06/13 CHKD: 2006/06/13 APPR: IGUMIN 2006/06/15 REV DESCRIPTION	QUALITY SYMBOLS ▽=0 ▽=0	GENERAL TOLERANCES (UNLESS SPECIFIED) <table border="1"> <thead> <tr> <th></th> <th>mm</th> <th>INCH</th> </tr> </thead> <tbody> <tr> <td>4 PLACES</td> <td>± .005</td> <td>± .0005</td> </tr> <tr> <td>3 PLACES</td> <td>± .005</td> <td>± .0005</td> </tr> <tr> <td>2 PLACES</td> <td>± .005</td> <td>± .0005</td> </tr> <tr> <td>1 PLACE</td> <td>± .005</td> <td>± .0005</td> </tr> <tr> <td colspan="3">ANGULAR ±1/2°</td> </tr> </tbody> </table>		mm	INCH	4 PLACES	± .005	± .0005	3 PLACES	± .005	± .0005	2 PLACES	± .005	± .0005	1 PLACE	± .005	± .0005	ANGULAR ±1/2°			DIMENSION STYLE IN/MM DRAWN BY: RPACIFICI DATE: 2005/10/20 CHECKED BY: DATE:	SCALE 2:1 DESIGN UNITS INCH THIRD ANGLE PROJECTION	TITLE METALIZED SIMPLEX BEZEL KITS WITH PUSH TAB
		mm	INCH																				
	4 PLACES	± .005	± .0005																				
	3 PLACES	± .005	± .0005																				
2 PLACES	± .005	± .0005																					
1 PLACE	± .005	± .0005																					
ANGULAR ±1/2°																							
			APPROVED BY: DATE:	MOLEX INCORPORATED																			
		DRAFT WHERE APPLICABLE MUST REMAIN WITHIN DIMENSIONS	MATERIAL NO. SEE TABLE	DOCUMENT NO. SD-106004-35XX	SHEET NO. 1 OF 1																		
			THIS DRAWING CONTAINS INFORMATION THAT IS PROPRIETARY TO MOLEX INCORPORATED AND SHOULD NOT BE USED WITHOUT WRITTEN PERMISSION																				