

FORM HC0011-5-4-AN 1

2

3

4

5

6

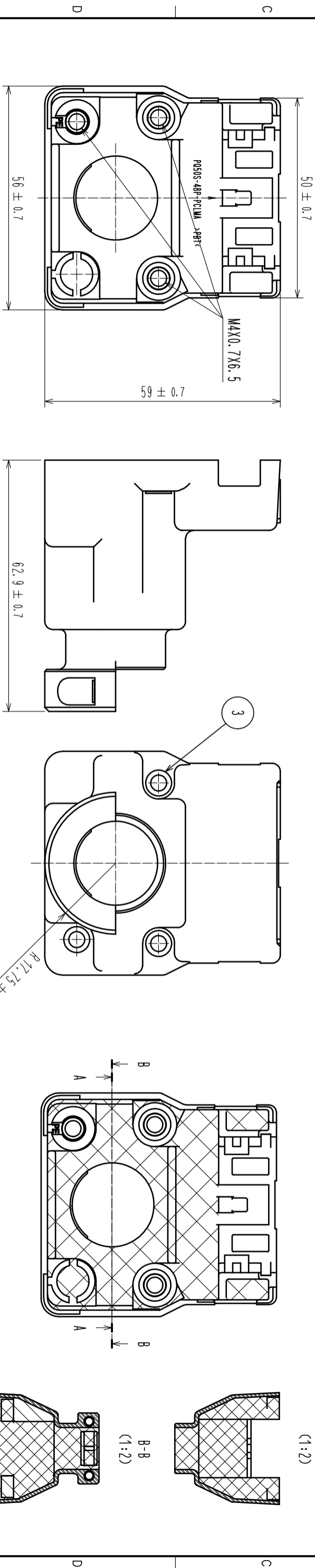
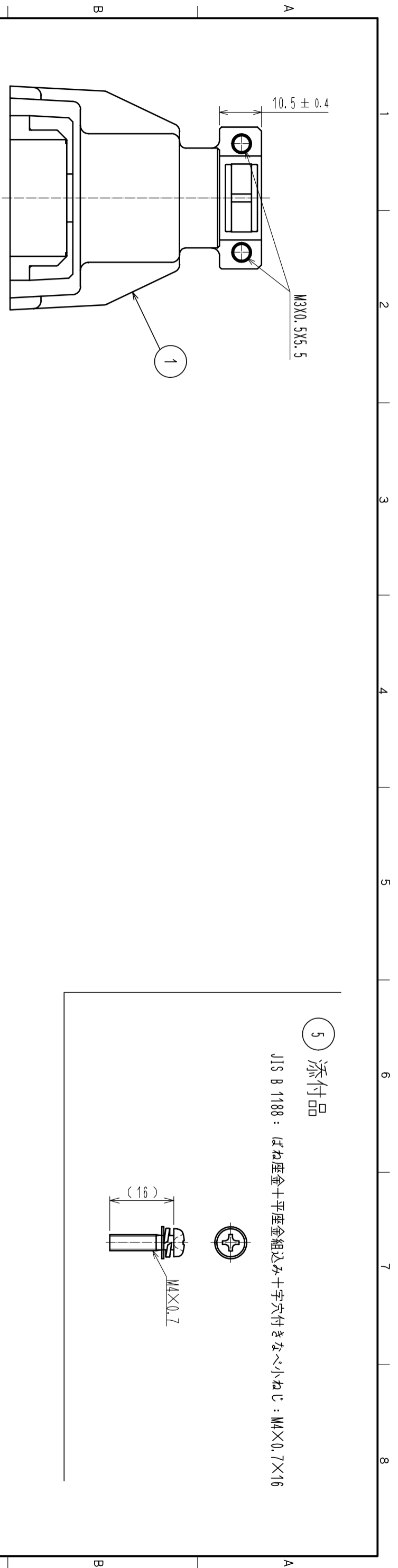
7

8

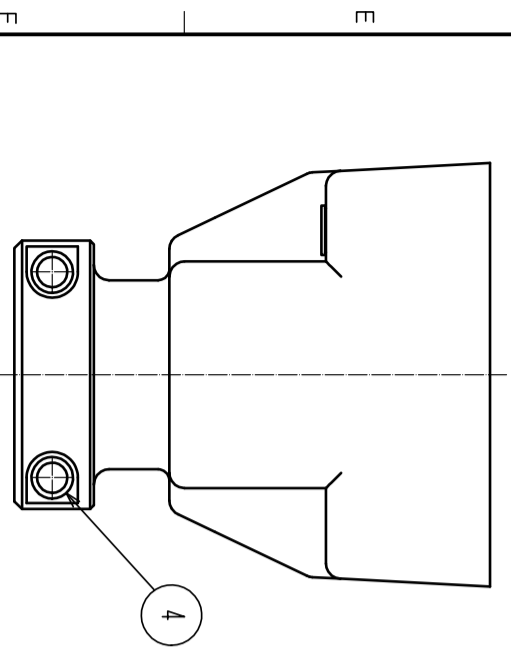
HRS

図番:	ADC-129889-00-00
製品名:	PQ50S-48P-PC/LMA
製品番号:	CL236-2131-0-00

2/2



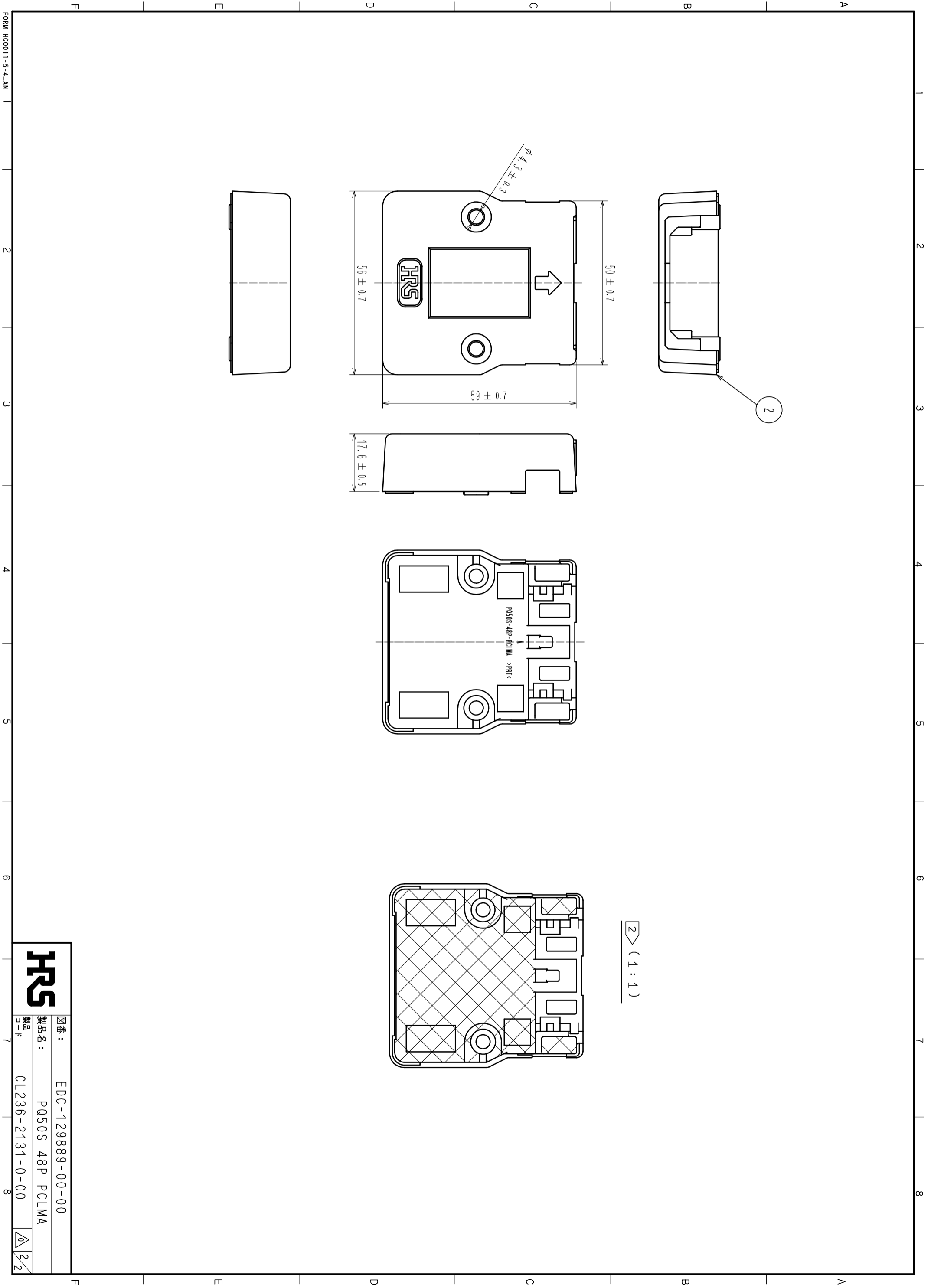
- 注
1. Refer to ETAD-E2961 for the Applicable components assembled with this product.
 2. While discoloration and or un-plating may occur beyond the areas, product performance remain unchanged.
 3. This product is available by 12 set/box unit.
 4. Applicable cable outer diameter : $\phi 17.5$ mm
 5. Refer to ETAD-E3122 for the procedure of the cable assembly.



3	Brass	Nickel plating							
2	PBT	Surface plating : Nickel Under plating : Copper		5	Steel	Surface plating : Nickel Under plating : Copper			
1	PBT	Surface plating : Nickel Under plating : Copper		4	Brass	Nickel plating			

UNITS	mm	SCALE	1 : 1	訂正記事		設計		検図		年月日	
-------	----	-------	-------	------	--	----	--	----	--	-----	--

 HIROSE ELECTRIC CO., LTD.	承認 :	RI. TAKAYASU	20181210	図番 :	EDC-129889-00-00
	検図 :	TU. TANIGUCHI	20181210	製品名 :	PQ50S-48P-PCLMA
	設計 :	SH. KOYAMA	20181210	製品 :	CL236-2131-0-00
	製図 :	SH. KOYAMA	20181210	製図 :	CL236-2131-0-00



HRS

図番:	EDC-129889-00-00
製品名:	PQ50S-48P-PC/LMA
製品番号:	CL236-2131-0-00

FORM HC0011-5-4-AN