

10 9 8 7 6 5 4 3 2 1

F

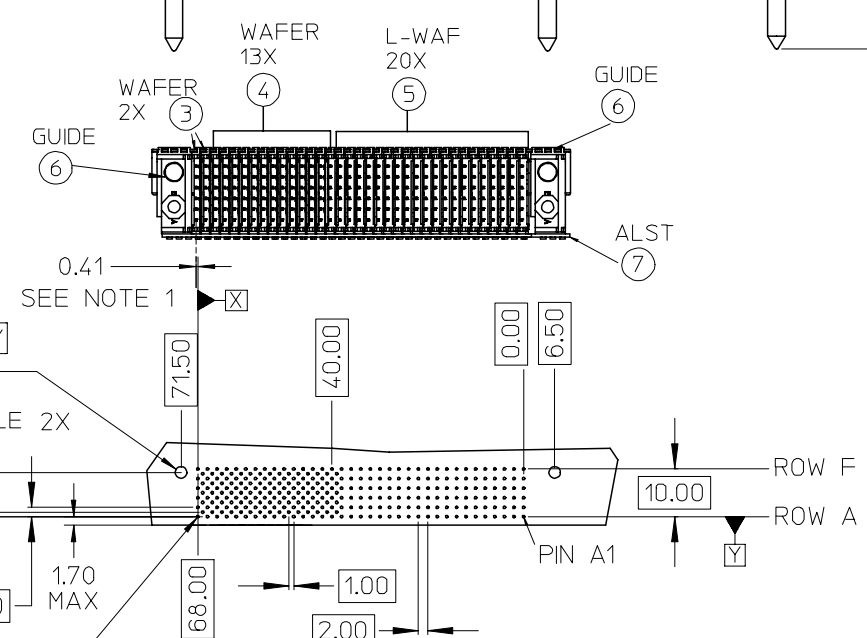
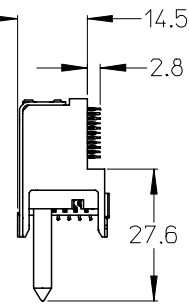
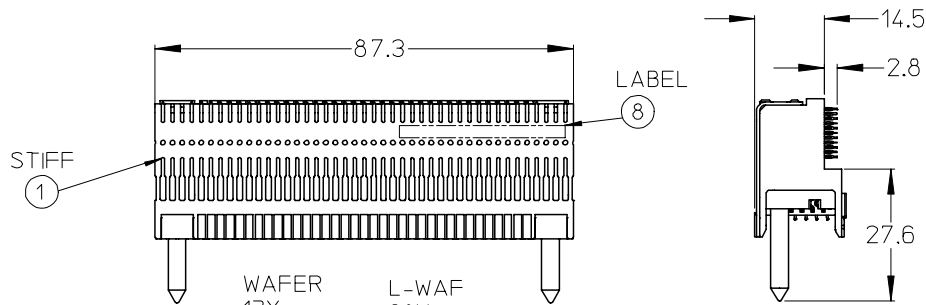
E

D

C

B

A



ITEM	PART NUMBER	QTY	DESCRIPTION
1	74601-0087	1	STIFFENER
2	73726-0000	2	MOUNTING SCREW
3	74602-2000	2	6.25mm VHDM SIGNAL WAFER
4	74602-1000	13	4.75mm VHDM SIGNAL WAFER
5	74605-9999	20	4.75mm LITE SIGNAL WAFER
6	74603-8000	2	GUIDE MODULE, NO KEY
7	74719-1085	1	ALIGNMENT STRIP
8	73728-0000	1	CUSTOM LABEL

- NOTES:
- DISTANCE FROM CENTER CONTACT TO CENTER OF PLATED THRU HOLE.
 - SCREWS PACKED IN BAG WITH TUBE.
 - STIFFENER MARKED WITH MOLEX PART NUMBER AND DATE CODE.
 - PARTS PACKAGED PER PK-70873-0892.
 - THIS PART CONFORMS TO MOLEX PRODUCT SPECIFICATION PS-74031-999.

$\varnothing 0.10$ X Y
 $\varnothing 0.56 \pm 0.05$ PTH
 $\varnothing 0.66$ DRILL
 $\varnothing 1.00$ PAD
 285

CIRCUIT BOARD LAYOUT
CONNECTOR SIDE

CUSTOMER: HEWLETT PACKARD

CORRECT BOM
 EC NO: UCP2006-1316
 DRWN: KMULVEY 2005/12/09
 CHKD: 2005/12/09
 APPR: KMULVEY 2005/12/12

QUALITY SYMBOLS
 $\nabla=0$
 $\nabla=0$

	GENERAL TOLERANCES (UNLESS SPECIFIED)	
	MM	INCH
4 PLACES	± ---	± ---
3 PLACES	± ---	± ---
2 PLACES	± ---	± ---
1 PLACE	± ---	± ---
ANGULAR ±1/2°		

DIMENSION STYLE
 MM ONLY
 DRAWN BY: MULVEY
 DATE: 2005/10/25
 CHECKED BY: BINGHAM
 DATE: 2005/10/25
 APPROVED BY: SREED
 DATE: 2005/10/25

SCALE: 1:1
 DESIGN UNITS: METRIC
 THIRD ANGLE PROJECTION
 TITLE: VHDM LITE 6 ROW RIGHT ANGLE MALE SALES ASSEMBLY
 MOLEX INCORPORATED
 MATERIAL NO.: 75286-1024
 DOCUMENT NO.: SD-75286-024
 SHEET NO.: 1 OF 1

DRAFT WHERE APPLICABLE
MUST REMAIN WITHIN DIMENSIONS

THIS DRAWING CONTAINS INFORMATION THAT IS PROPRIETARY TO MOLEX INCORPORATED AND SHOULD NOT BE USED WITHOUT WRITTEN PERMISSION

9 8 7 6 5 4 3 2 1