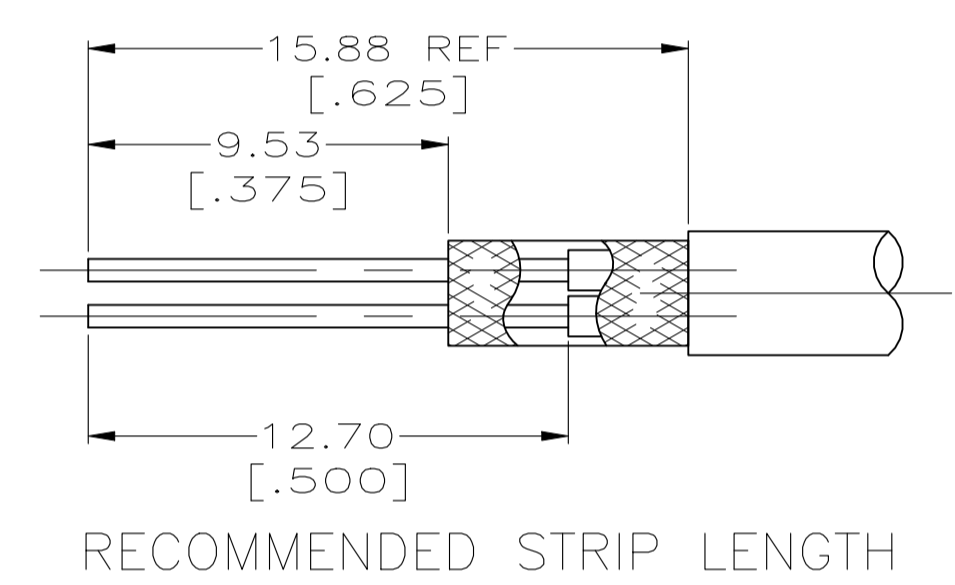
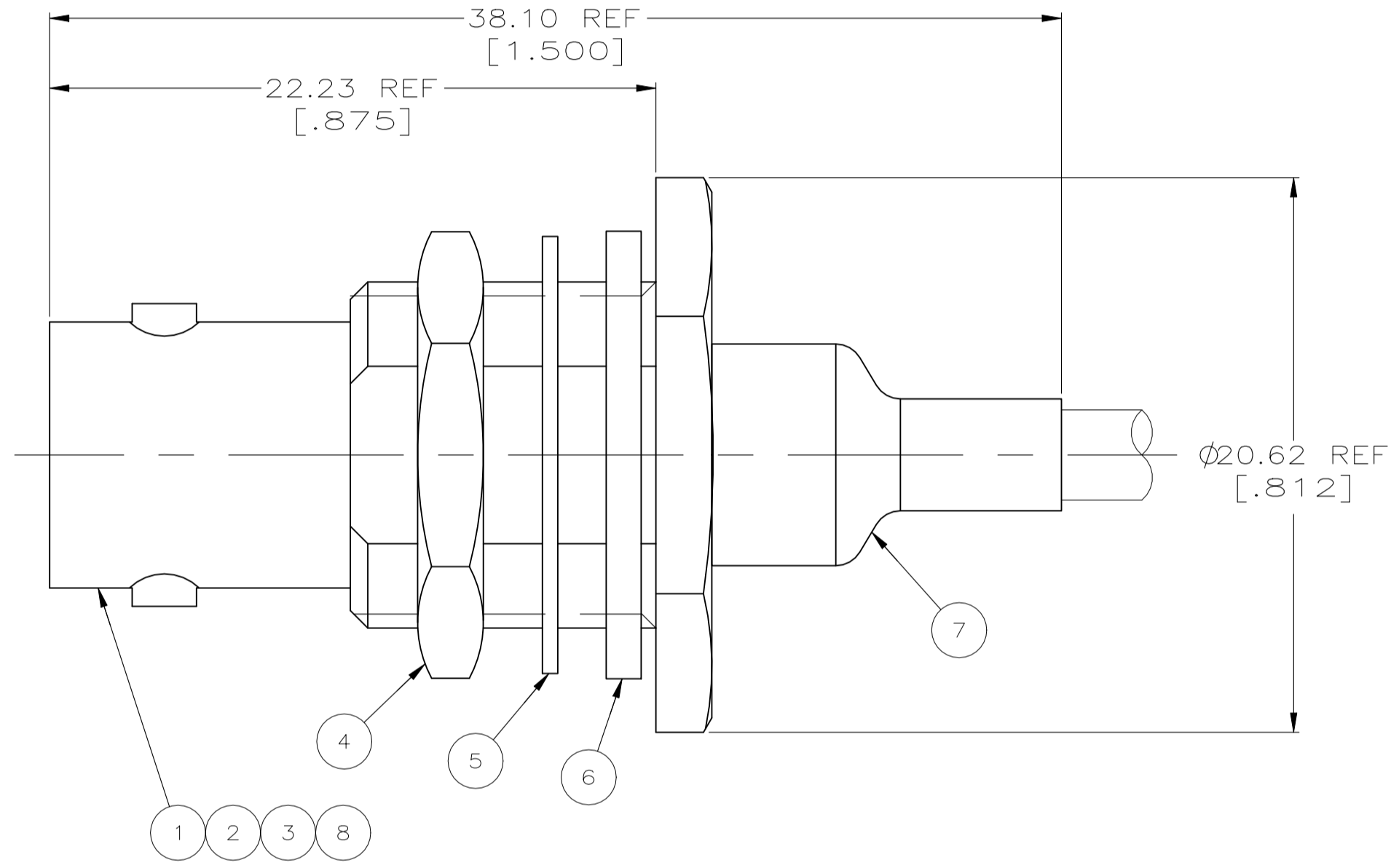
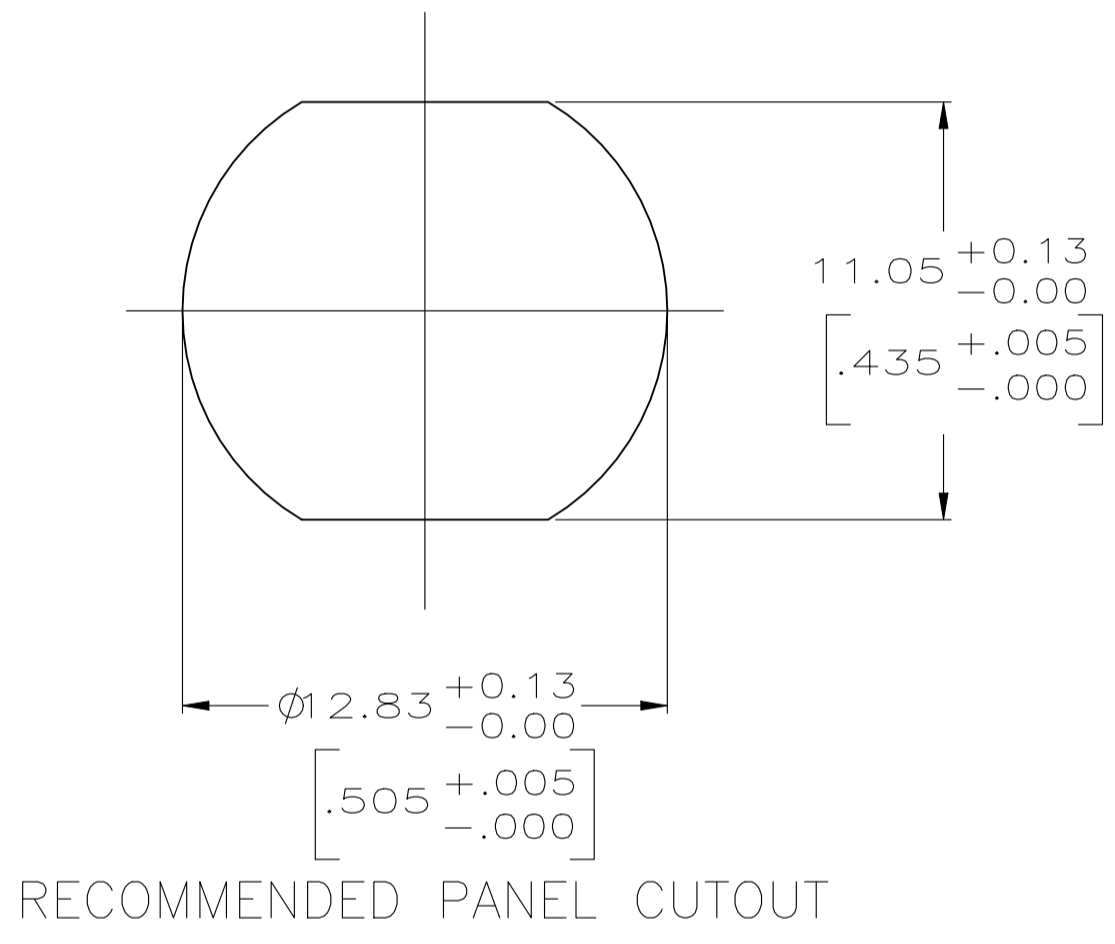


| REVISIONS | | | | | |
|-----------|-----|---------------------------|-----------|----|------|
| P | LTR | DESCRIPTION | DATE | DN | APVD |
| A1 | | REVISED PER ECN-21-122181 | 26OCT2021 | RZ | WK |

1. CRIMP USING PRO-CRIMPER 354940-1 WITH DIE SET 91909-1.
2. PARTS PACKAGED UNASSEMBLED.



| | | | | | | | | | | |
|--------------------|------------|-----------------------|--------------------|-------------------|-----------------------|--------------------|-----------------|----------------------------------|------------------------------------|-------------|
| RG-108 & 108A | 1 | 1-332210-0 | 9-332224-1 | 329633 | 9-329632-0 | 9-329631-0 | 332214 | 1-332221-0 | 9-329791-1 | 5332342 |
| FOR USE WITH CABLE | CRIMP TOOL | 8 DIELECTRIC QTY=1 | 7 FERRULE QTY=1 | 6 GASKET QTY=1 | 5 LOCKWASHER QTY=1 | 4 JAM NUT QTY=1 | 3 SEAL QTY=1 | 2 CRIMP END ASSEMBLY QTY=1 | 1 BODY, JACK, BULKHEAD QTY=1 | PART NUMBER |

| | | | | | | | | | | | |
|--|--|----------------------------|--|---|--|--|--|--|--|---------------------------|--|
| THIS DRAWING IS A CONTROLLED DOCUMENT. | | DIMENSIONS: mm [INCHES] | | TOLERANCES UNLESS OTHERWISE SPECIFIED: | | 0. PLC ± - 1. PLC ± - 2. PLC ± 0.41 [.016] 3. PLC ± - 4. PLC ± - ANGLES ± - | | THIS DRAWING IS A CONTROLLED DOCUMENT. DIM: L. VARELA - DOCKS 21APR2005 CHK: J. HAVENER 21APR2005 APVD: J. LIPPERT 21APR2005 NAME: | | NAME: JACK, BHD, TWIN BNC | |
| MATERIAL: - | | FINISH: - | | WEIGHT: 0.000000 | | A1 00779 | | C=5332342 | | RESTRICTED TO: - | |
| CUSTOMER DRAWING | | SCALE: 5:1 | | SHEET 1 of 1 | | REV A1 | | | | | |