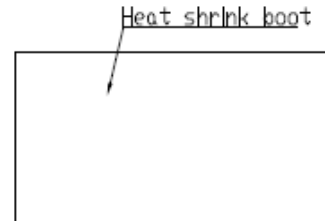
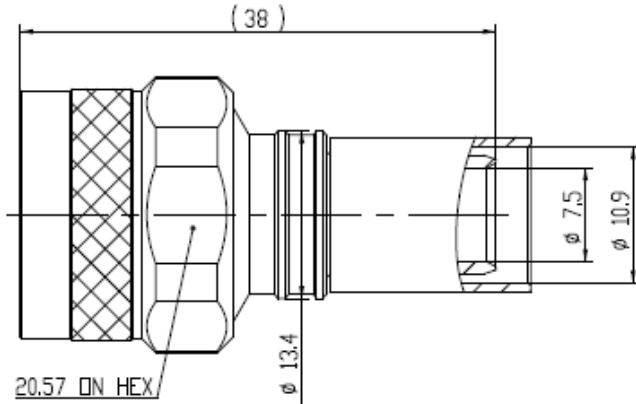
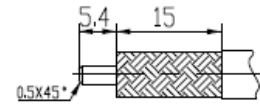


NOTICE OF PROPRIETARY RIGHTS THIS DOCUMENT CONTAINS CONFIDENTIAL TECHNICAL DATA, INCLUDING TRADE SECRETS, PROPRIETARY TO TIMES MICROWAVE SYSTEMS. DISCLOSURE OF THIS DATA IS EXPRESSLY CONDITIONED UPON YOUR ASSENT THAT ITS USE IS LIMITED TO USE WITHIN YOUR COMPANY ONLY. ANY OTHER USE IS STRICTLY PROHIBITED WITHOUT THE PRIOR WRITTEN CONSENT OF TIMES MICROWAVE SYSTEMS.

SYM	REVISION DESCRIPTION	DFTM	DATE	APPD	DATE
A	RELEASED FOR PRODUCTION	D. J. H.	6/13/11	J. D. B.	6/27/11
B	CHANGED PER CDC #33920	D. J. H.	8/12/11	J. D. B.	8/15/11
C	CHANGED PER CDC #40843	N. N. N.	9/25/14	J. D. B.	9/30/14



3/4" diam.X2" long,heavy wall,adhesive lined polyolefin with a 3:1 shrink ratio



Recommended cable stripping Dim's

Reference standard IEC60169-16
 I. Electric Performance
 Impedance(Ω): 50
 Frequency Range: DC-6GHz
 VSWR: ≤ 1.25
 Insert Loss: (dB) ≤ 0.05
 Insulation resistance ($M\Omega$) > 5000
 Proof voltage (V) 1500
 Conductor resistance ($m\Omega$) outer conductor < 0.4
 inner conductor < 0.8

IV. Environment
 Temperature -55°C~+155°C
 Weather standard IEC 60068 55 / 155/ 56
 Thermal shock US MIL-STD 202,Meth.107,Cond.B
 Vibration US MIL-STD 202,Meth.204,Cond.B
 Shock US MIL-STD 202,Meth.213,Cond.I
 Waterproofing standard IP67

V. Assembly: inner conductor installed and outer conductor crimped

II. Mechanical Performance
 Nut torque 5N.m
 (Nut)Whorl pull 500N
 Tensile force(cable-connect) 400N
 Torsion(cable-connect) 2N.m

III. Material and plating:
 Component Material Plating
 Inner conductor Beryllium Bronze Au50 micro inches over nickel 100 over copper
 Outer conductor Brass Copper-tin-zin 100-150 micro inches
 Tube: copper Copper-tin-zin 100-150 micro inches
 Nut: Brass Copper-tin-zin 100-150 micro inches
 Gasket: Silicone rubber
 Insulator: PTFE

MATL:	UNLESS OTHERWISE SPECIFIED		DFTM. D. J. H.	TIMES MICROWAVE SYSTEMS	
	ALL DIMENSIONS ARE IN mm MACHINED SURFACES FINISH N/A RMS MAX. REMOVE ALL BURRS N/A MAX. BREAK MACHINE CORNERS N/A MAX. FILLET R. TOLERANCES ON DECIMALS .XX \pm N/A .XXX \pm N/A ANGLES \pm 1° FRACTIONS \pm N/A		DATE 6/13/11		
USED ON: 0	DO NOT SCALE DRAWING		CHKD. J. D. B.	EZ-400-NMH-X "N" MALE FOR LMR-400 CABLE EZ/CRIMP/NO BRAID TRIM	
			DATE 6/27/11		
SCALE: N/A	DWG. SIZE A	CODE IDENT 68999	APPD. J. D. B.	DATE 6/27/11	SHEET 1 of 1
					SD3190-2590
					REV C