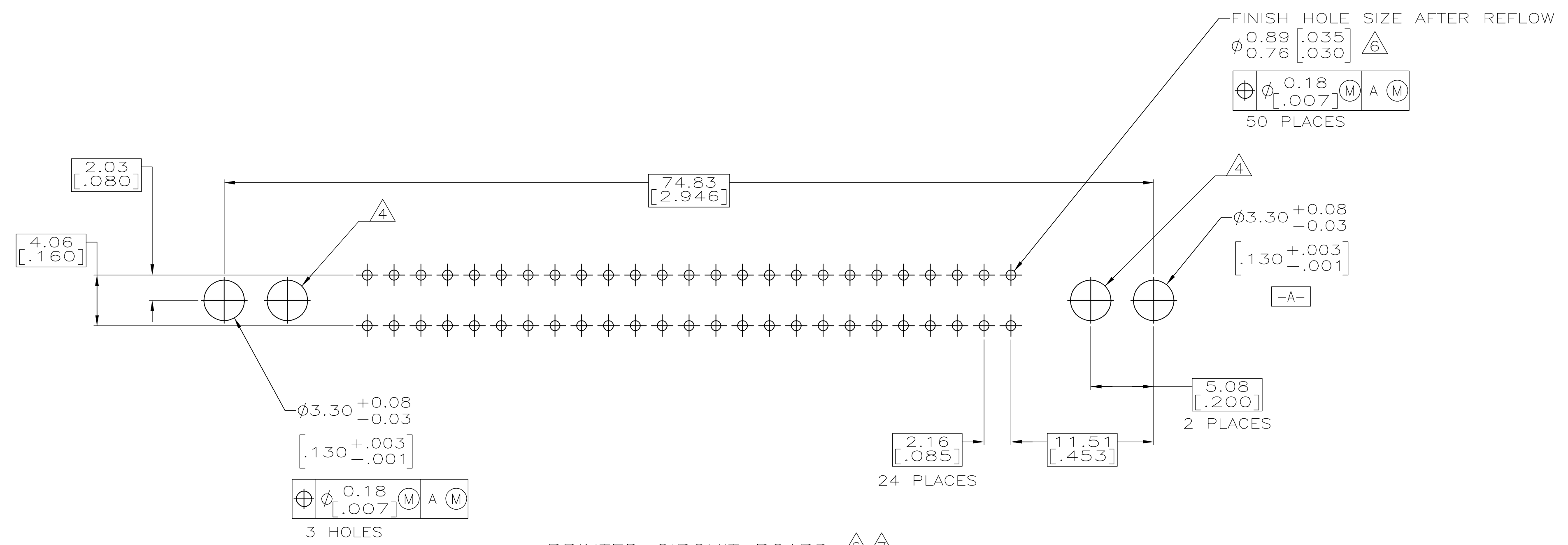
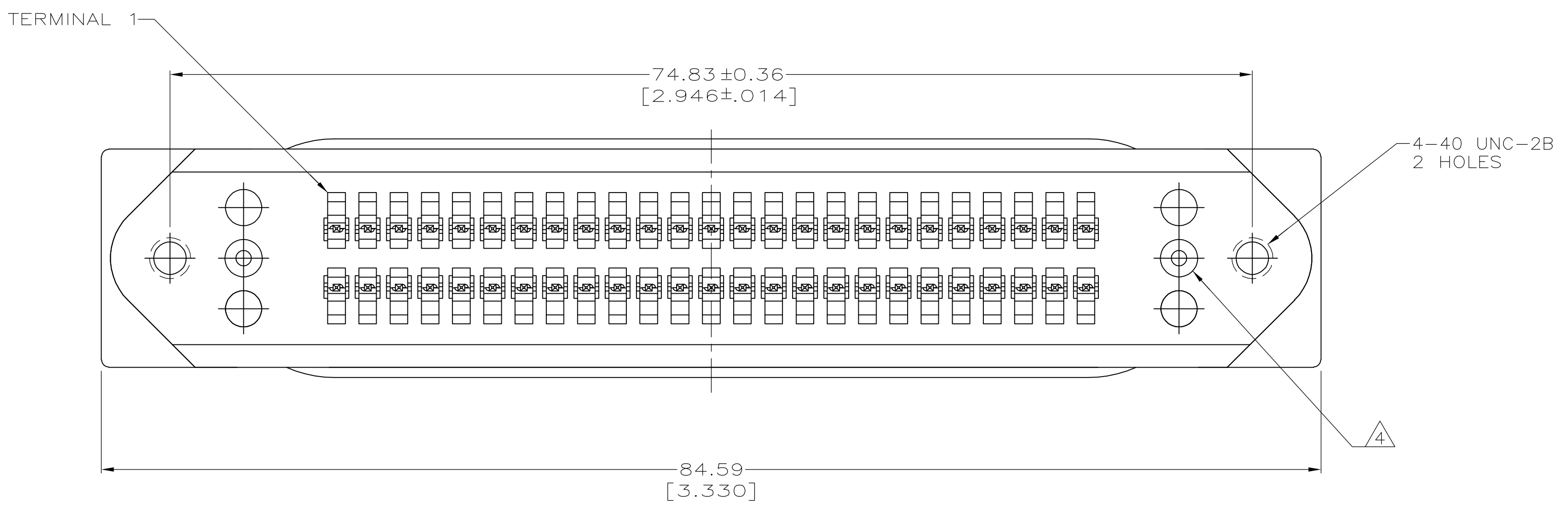
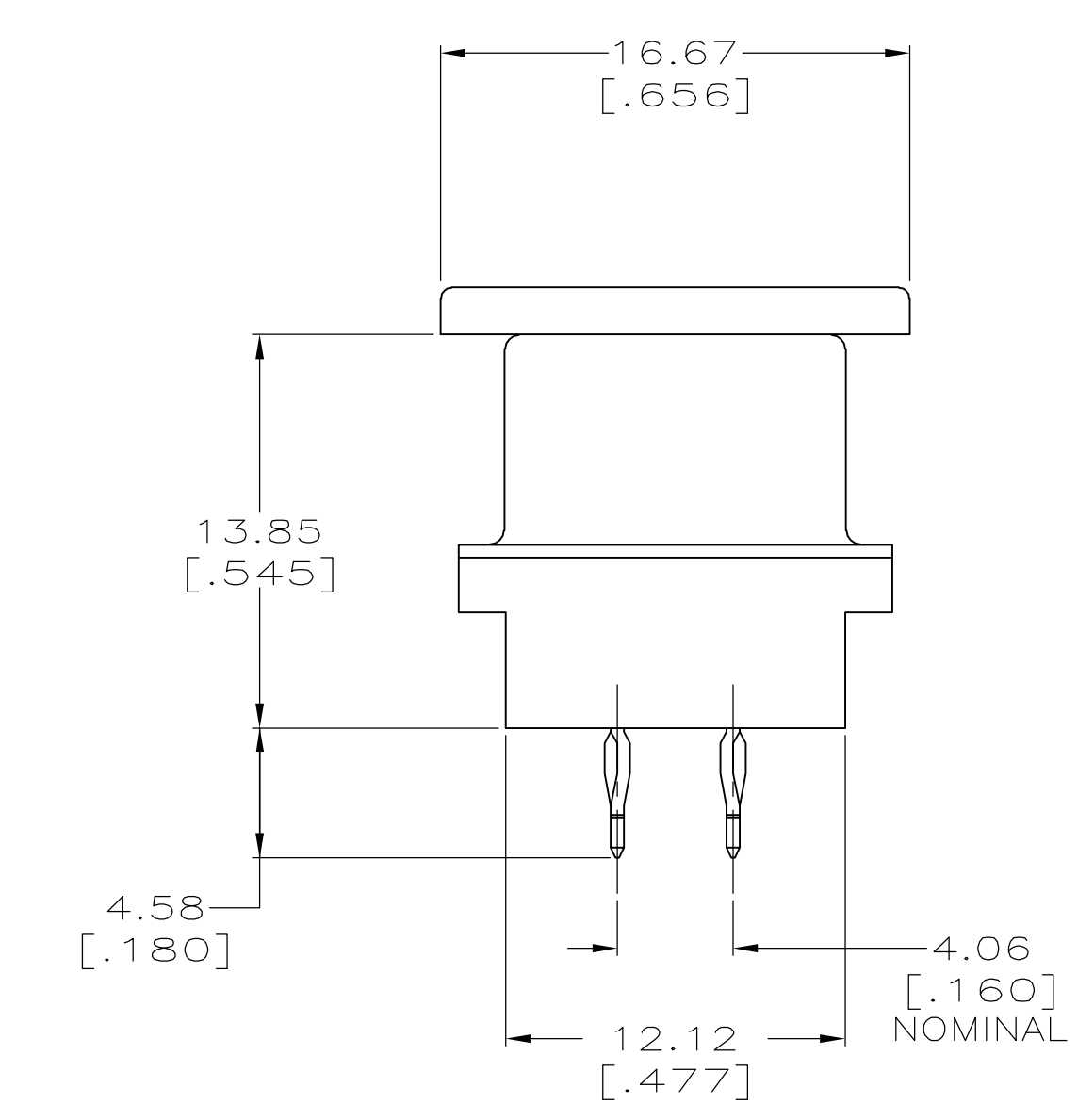
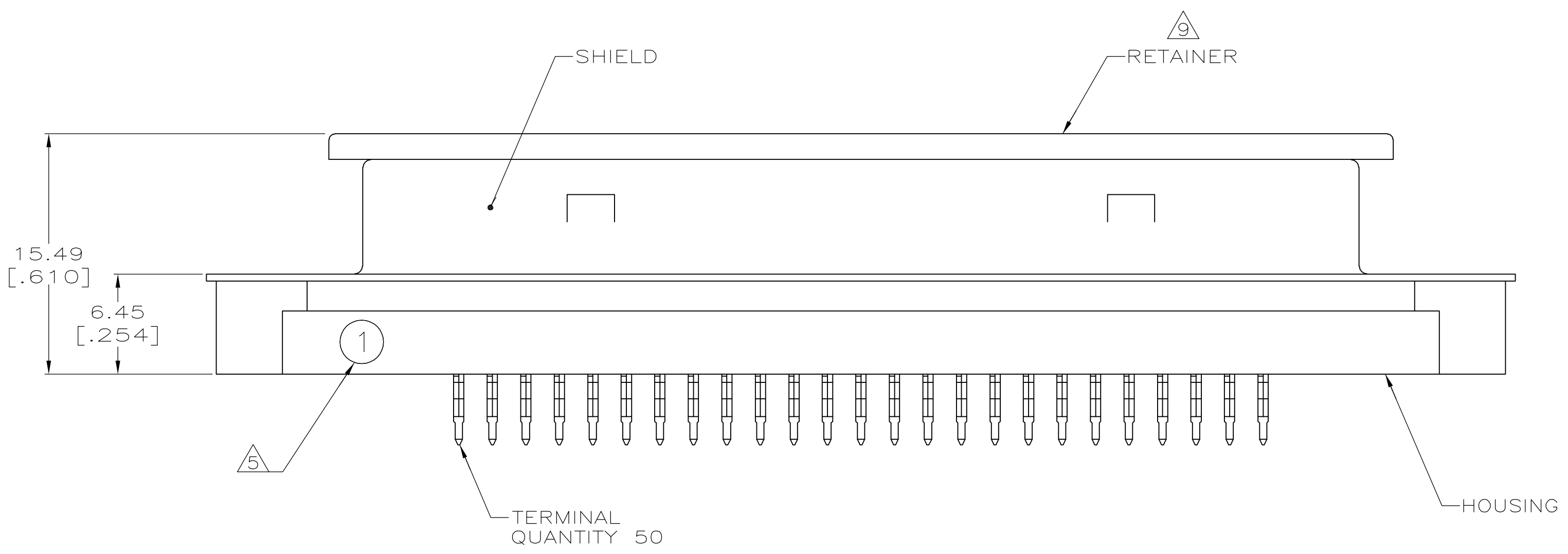


LOC		DIST		REVISIONS			
F	LTR	DESCRIPTION	DATE	DRN	APVD		
0		REL. AS PER EC OS13-0575-04		JG	BL	JG	



PRINTED CIRCUIT BOARD MOUNTING DIMENSIONS

1. DIMENSIONS ARE MAXIMUM UNLESS OTHERWISE SPECIFIED.
2. MATERIAL: HOUSING - POLYESTER, BLACK.
TERMINAL - COPPER ALLOY PLATED WITH 0.76 μm [.000030] MINIMUM GOLD ON MATING SURFACE AND: 2.54 μm [.000100] MINIMUM TIN ON ACTION PIN AREA.
OVER 1.27 μm [.000050] MINIMUM NICKEL UNDERPLATE OVER ENTIRE TERMINAL.
RETAINER - POLYETHYLENE, NATURAL.
SHIELD - CARBON STEEL, PLATED BRIGHT NICKEL 5.08 μm [.000200] MINIMUM.
3. THE CONTACT SURFACES OF THE TERMINALS ARE COATED WITH LUBRICANT.
4. OPTIONAL MOUNTING HOLE FOR SELF-TAPPING SCREW.
5. "1" ON HOUSING INDICATES LOCATION OF TERMINAL 1.
6. ALL PLATED-THRU HOLES SHALL BE PER AMP SPEC 115-6072.
7. 50 LBS. MINIMUM FORCE REQUIRED TO UNSEAT CONNECTOR FROM PRINTED CIRCUIT BOARD WITHOUT USE OF HARDWARE.
8. CENTER-TO-CENTER SPACING OF TERMINALS IS 2.16 [.085] NOMINAL.
9. RETAINER MUST REMAIN INSTALLED UNTIL AFTER CONNECTOR HAS BEEN INSERTED INTO PCB HOLES.

5557984-2
PART NUMBER

THIS DRAWING IS A CONTROLLED DOCUMENT.		DWN S. LATTUCA 11AUG05		Tyco Electronics Corporation Harrisburg, Pa 17105-3608
DIMENSIONS: mm [INCHES]		CHK W. MILLHIMES 11AUG05		NAME M. WALMSLEY 11AUG05
TOLERANCES UNLESS OTHERWISE SPECIFIED:		PRODUCT SPEC 108-6019 APPLICATION SPEC 114-6027		
0 PLC ± - 1 PLC ± - 2 PLC ± - 3 PLC ± - 4 PLC ± - ANGLES ± - FINISH		SIZE A1 CAGE CODE 00779 DRAWING NO 5557984 RESTRICTED TO -		
MATERIAL		CUSTOMER DRAWING		
		SCALE 4:1 SHEET 1 OF 1 REV 0		