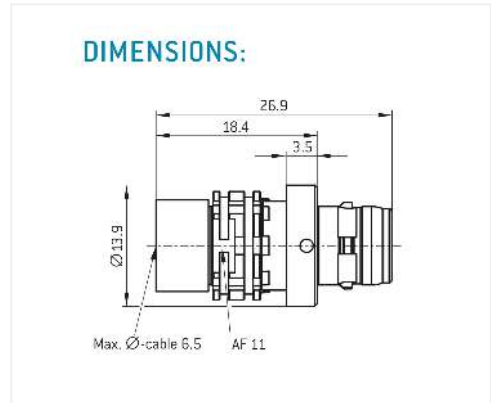
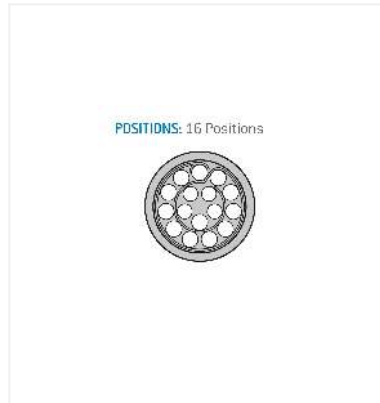
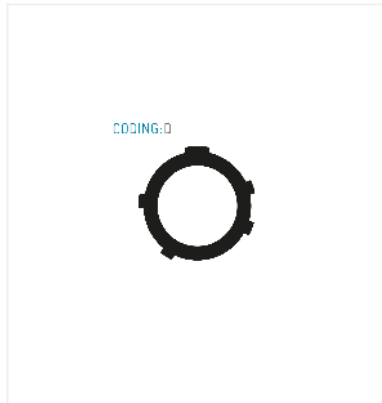


General information

Part number	A11YDR-P16WDD0-R000
Termination	solder
Size	1
Locking principle	break
Coding	d_key_amc
Cable Diameter	cable_amc_1
Cable outlet	overmolding



Contact insert description

Number of contacts	16
Contact type	flat contact
Contact diameter	06mm
Insulator material	peek
Wire cross section	26_awg
Termination	solder
Termination diameter	065mm

reverse_gender_on_request

Technical information

Nominal current single contact	02_a	iec_60512_5_2
Nominal current insert	1 A	vde_0298_4
Test voltage	06_kv_ac	eia_364_20f

safety_text

Mechanical and environmental data

Degree of protection*	ipsk8_ip6k9k
Operating temperature	51_125_c
Mating cycles	5000

mated

Material and surface treatments

Housing	ruthenium
Contact	cu_alloy_gold

safety_text_2
ul_text
illustrative_text