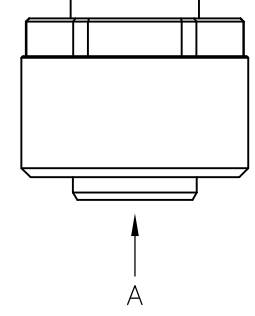
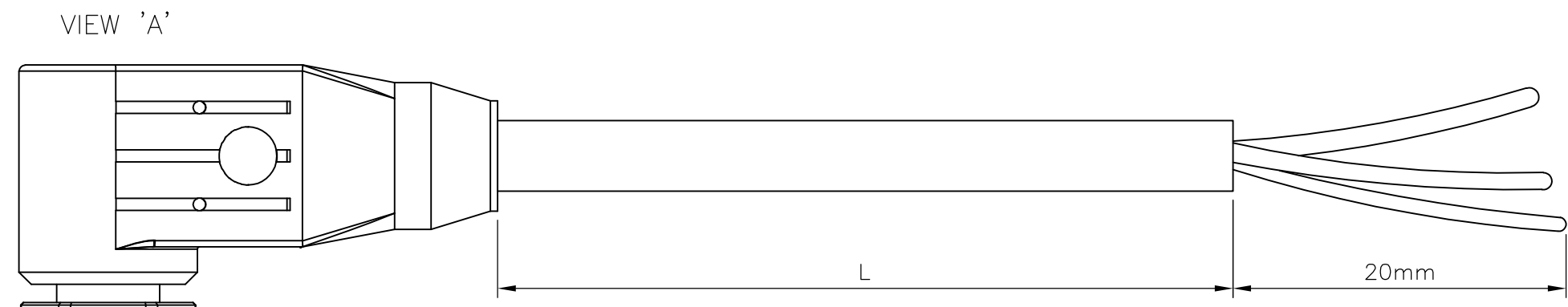
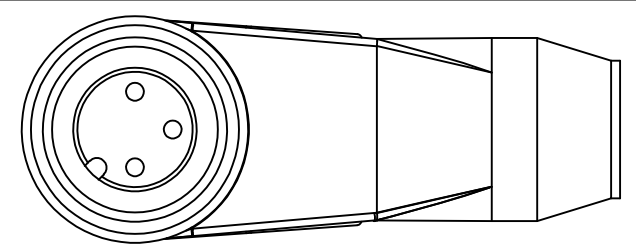


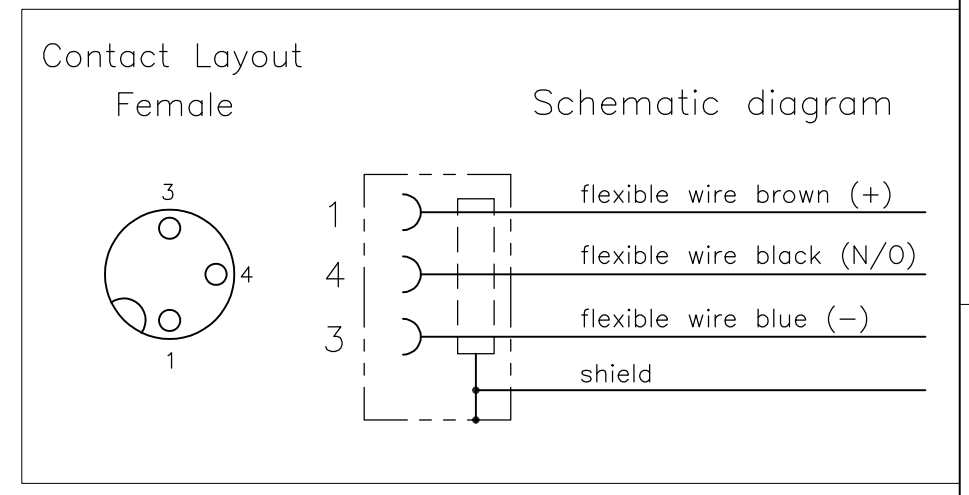
THIS DRAWING IS UNPUBLISHED. RELEASED FOR PUBLICATION
 © COPYRIGHT - By - ALL RIGHTS RESERVED.

P	LTR	DESCRIPTION	DATE	DWN	APVD
	A	INITIAL RELEASE	26NOV2013	GSK	BvH
	A1	ECR-14-015049	13OCT2014	GSK	BvH
	A2	ECR-16-003945	16MAR2016	GSK	BvH

NOTES:
 Tolerances cable lengths:
 0m to 0.5m +30mm
 0.5m to 1.0m +50mm
 1.0m to 3.0m +100mm
 < 3.0m +1.5%



PVC CABLE	
No./diameter of wires	3 x 0.34 mm ²
Wire isolation	PVC (br, bl, bk)
C-track properties	
Jacket	PVC (UL/CSA)
Outer diameter	approx. 5.9 mm
Bend radius (moving)	15 x outer diameter
Temperature range (fixed)	-40...+80 °C
Temperature range (mobile)	-5...+80 °C



TECHNICAL DATA	
Operating voltage	max. 60 V AC/DC
Operating current per contact	max. 4 A
Locking of ports	Screw thread M12 x 1 mm (recommended torque 0.6 Nm) self-securing
Protection	IP65 and IP67 when plugged and screwed down (EN 60529)

LENGTH "L"	MATERIAL	JACKET COLOR	TE PN	DESCRIPTION	ITEM
3 pos	PVC	Grey	1-2273097-4	3x22AWG PVC 10.0m	8
			1-2273097-3	3x22AWG PVC 5.0m	7
			1-2273097-2	3x22AWG PVC 3.0m	6
3 pos	PUR	Grey	1-2273097-1	3x22AWG PVC 1.5m	5
			2273097-4	3x22AWG PUR 10.0m	4
			2273097-3	3x22AWG PUR 5.0m	3
			2273097-2	3x22AWG PUR 3.0m	2
			2273097-1	3x22AWG PUR 1.5m	1

PUR CABLE	
No./diameter of wires	3 x 0.34 mm ²
Wire isolation	PVC (br, bl, bk)
C-track properties	
Jacket	PUR/PVC (UL/CSA)
Outer diameter	approx. 5.9 mm
Bend radius (moving)	15 x outer diameter
Temperature range (fixed)	-30...+80 °C
Temperature range (mobile)	-5...+70 °C

THIS DRAWING IS A CONTROLLED DOCUMENT.

DIMENSIONS: mm	TOLERANCES UNLESS OTHERWISE SPECIFIED:	DWN: 26NOV2013 SATHISH KUMAR.G	TE Connectivity M12 X 1.0 ANGLED SOCKET PIGT SHLD A
	0 PLC ± -	CHK: 26NOV2013 B.VELDHOVEN	
	1 PLC ± -	APVD: 26NOV2013 A.VAN ZANDVOORT	
	2 PLC ± -	PRODUCT SPEC 108-19483	
	3 PLC ± -	APPLICATION SPEC 114-32127	NAME: RESTRICTED TO
	4 PLC ± -	WEIGHT	SIZE: A3 CAGE CODE: 00779 DRAWING NO: C-2273097
MATERIAL: -	FINISH: -	CUSTOMER DRAWING	SCALE: NTS SHEET: 1 OF 1 REV: A2