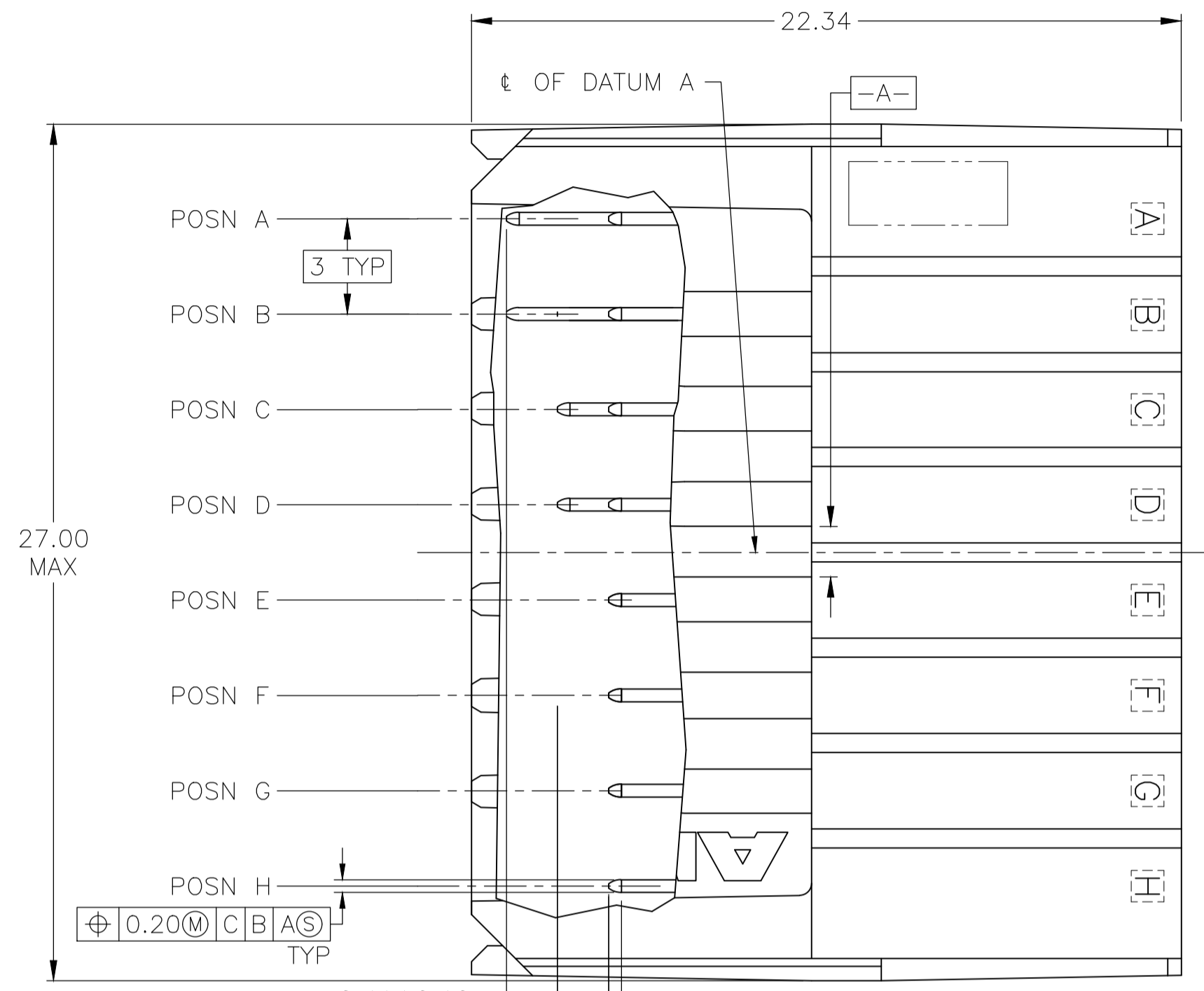
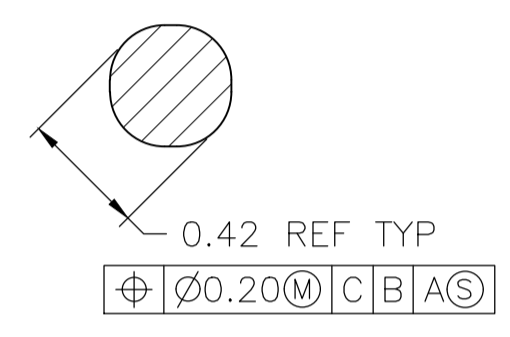


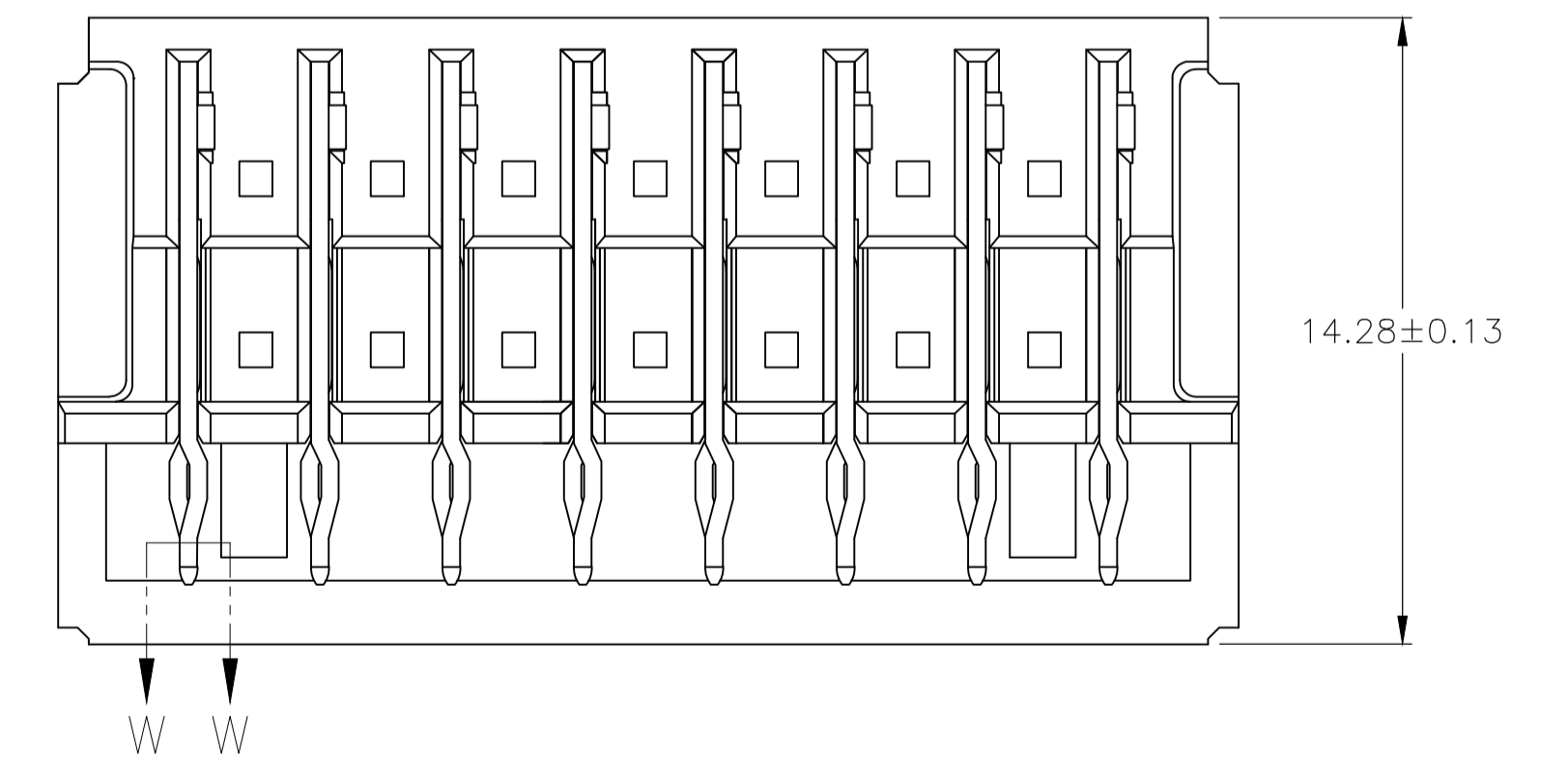
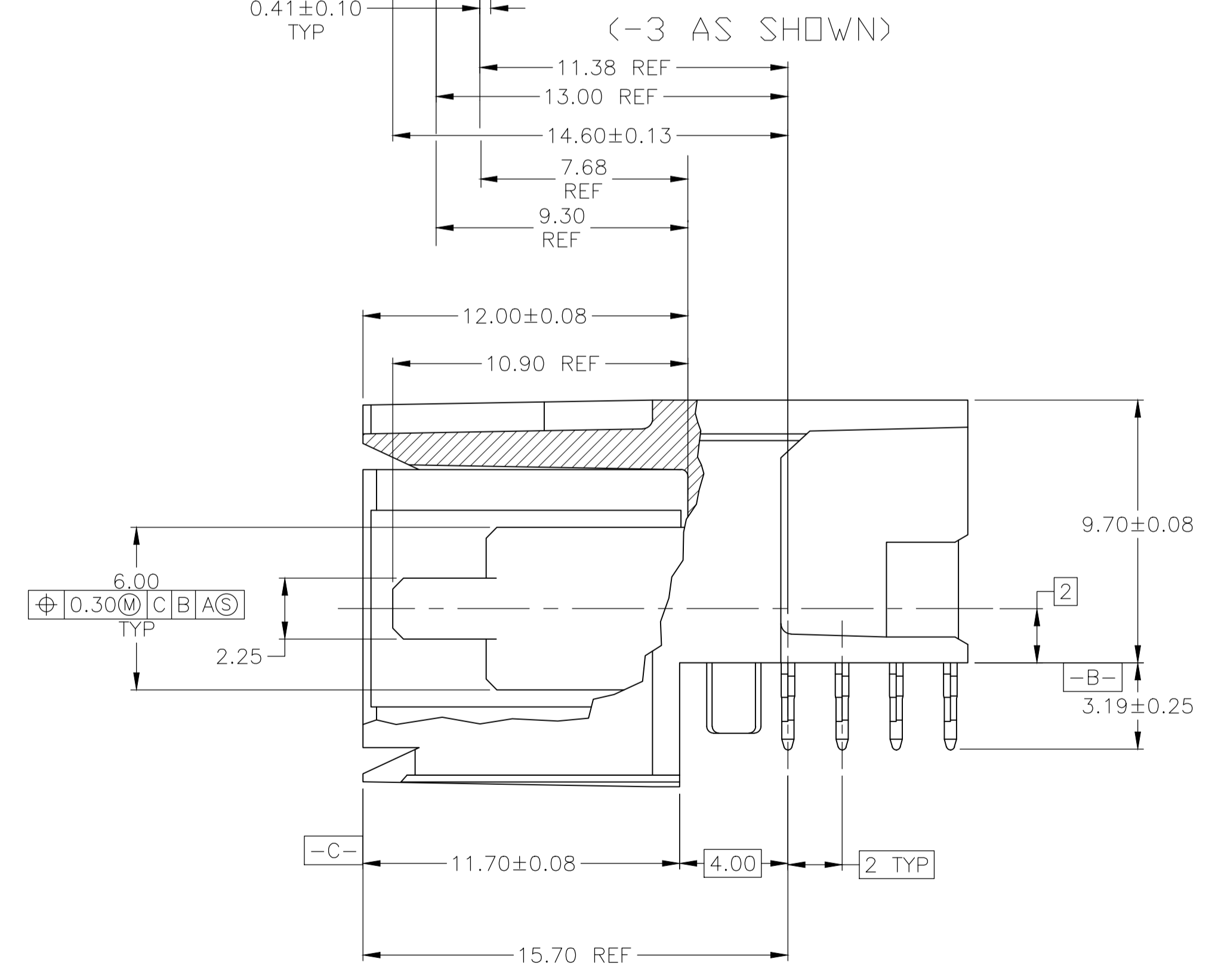
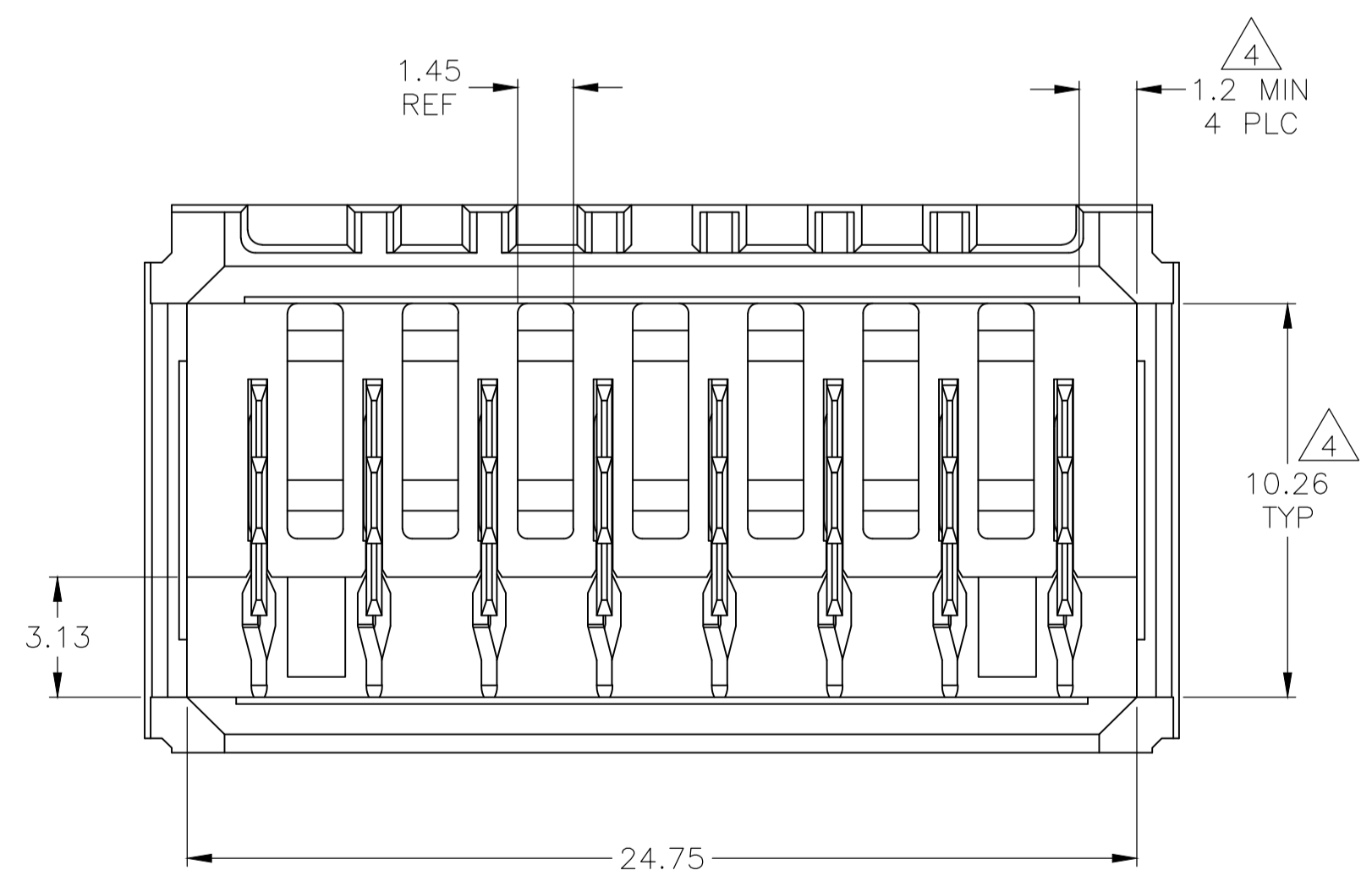
RECOMMENDED PCB HOLE LAYOUT



- 1 MATERIAL: HOUSING: POLYESTER. COLOR: GRAY. UL 94V-0. CONTACT: COPPER ALLOY.
 - 2 FINISH: IN ACCORDANCE WITH PRODUCT SPECIFICATION 108-1651, GOLD PLATING OR EQUIVALENT PLATING ON PRODUCT CONTACT MATING AREA, AND MATTE TIN PLATING ON COMPLIANT PIN AREA, ALL OVER MATTE NICKEL UNDERPLATED. DETAIL PLEASE REFER TO PRODUCT SPECIFICATION 108-1651.
 - 3 FINISH: CONTACT LUBRICATION WITH BELLCORE APPROVED LUBRICANT. TECHNICAL REFERENCE: GR-1217-CORE, ISSUE 1, NOVEMBER 1995.
 - 4 THE 10.26±0.13 DIMENSION APPLIES IN THIS AREA.
 - 5 REFERENCE APPLICATION SPEC 114-1103 FOR RECOMMENDED PLATED THRU HOLE DIAMETER AND PLATING THICKNESS.
6. CURRENT RATING 10A/CONTACT PER PRODUCT SPEC 108-1651.



SECTION W-W
SCALE 40:1



A,B	C,D	E,F,G,H	8	5646958-3
A,C,E,G	-	B,D,F,H	8	5646958-2
A,B,C,D,E,F,G,H	-	-	8	5646958-1
POSITIONS LOADED WITH 10.90 REF CONTACTS	POSITIONS LOADED WITH 9.30 REF CONTACTS	POSITIONS LOADED WITH 7.68 REF CONTACTS	NO OF LOADED POSITIONS	PART NUMBER

THIS DRAWING IS A CONTROLLED DOCUMENT.		DWG: B. CARBO	150EC04	Tyco Electronics Corporation Harrisburg, Pa 17105-3608
DIMENSIONS: mm		CHK: R. PATTERSON	150EC04	
TOLERANCES UNLESS OTHERWISE SPECIFIED:		APP'D: R. PATTERSON	150EC04	
0 PLC ± - 1 PLC ± ± 2 PLC ± ± 0.13 3 PLC ± ± 4 PLC ± ± ANGLES ± -		NAME: R. PATTERSON	NAME: R. PATTERSON	
MATERIAL: 1 FINISH: 2, 3		PRODUCT SPEC: 108-1651	APPLICATION SPEC: 114-1103	ASSEMBLY, RIGHT ANGLE HEADER, W/ RETENTION PEGS, UNIVERSAL POWER MODULE
CUSTOMER DRAWING		SIZE: A1	CAGE CODE: 00779	DRAWING NO: 5646958
		SCALE: 6:1	SHEET: 1 of 1	REV: C1