

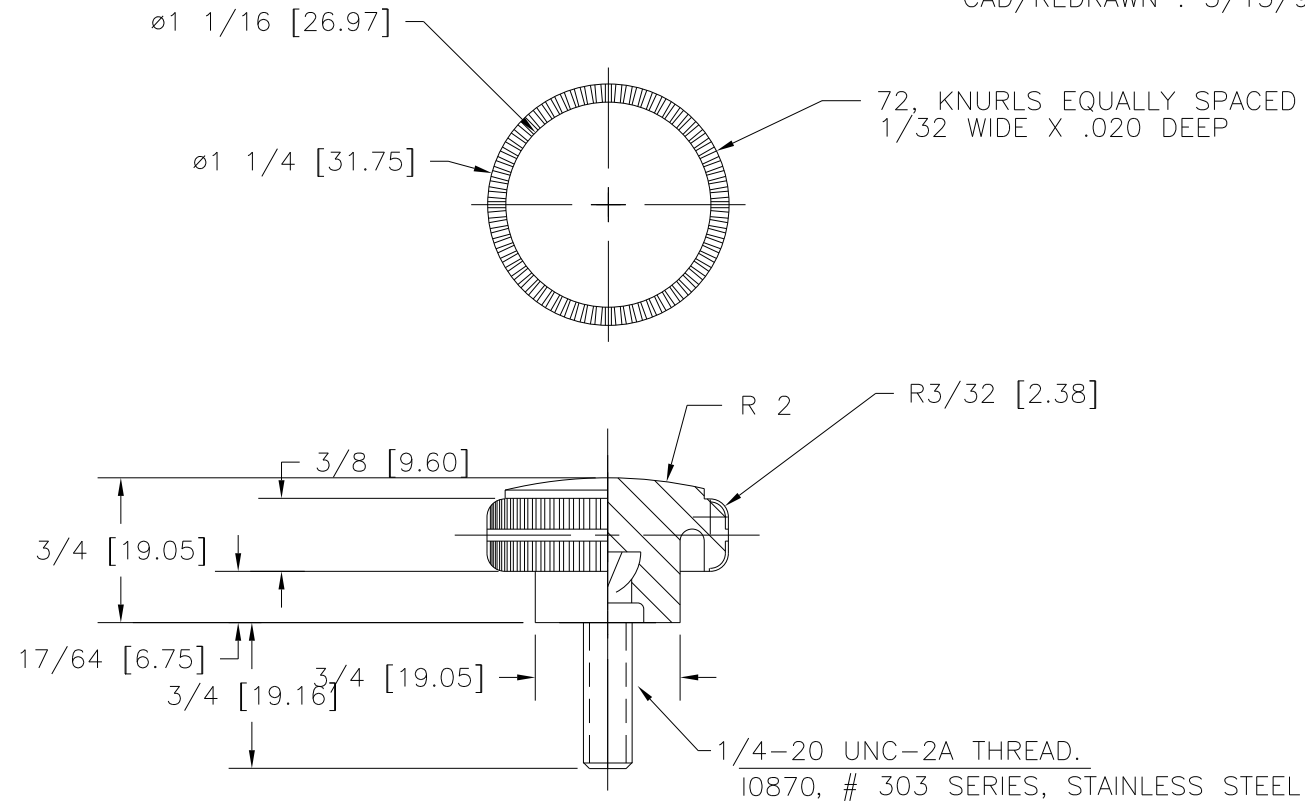
PART NAME: KNOB      SCALE: 1:1      DATE: 11/2/85      DR. BY HD

THIS DRAWING IS THE PROPERTY OF DAVIES MOLDING COMPANY, IS SUBMITTED SOLELY AS A DESIGN OR ENGINEERING PROJECT. WE ACCEPT NO RESPONSIBILITY WHATSOEVER FOR THE PRACTICAL APPLICATION OF THE PIECES MADE TO THIS DESIGN.

**DAVIES MOLDING** DESIGNERS & MANUFACTURERS OF KNOBS, HANDLES, CASES & CUSTOM PLASTIC COMPONENTS

P/N 3055BL	
M NO. 3009	
CAVITY	3055
PLUNGER	3055
PIN	3000-H
PIN BAR	3055
PIN BAR SHIMS (3)	3055 (TOTAL .185)
INSERT	10870
PLUNGER KEY	1/4x1/8x1-1/4
CAVITY KEY	1/4x1/4x3/4

CAD/REDRAWN : 5/15/95 : HD



TUBE (T0100) MUST BE INSTALLED ABOVE PART(S) DURING MOLDING PROCESS.

MATERIAL: G.P. PHENOLIC (B11)  
COLOR: BLACK

TOLERANCES: UNLESS OTHERWISE SPECIFIED	DO NOT SCALE DRAWING			
DECIMALS: X.XXX ± .005 X.XX ± .015	MM: X.XX ± 0.15MM X.X ± 0.4MM			
FRACTIONS ± 1/64	ANG. ± 1°	CHANGES		