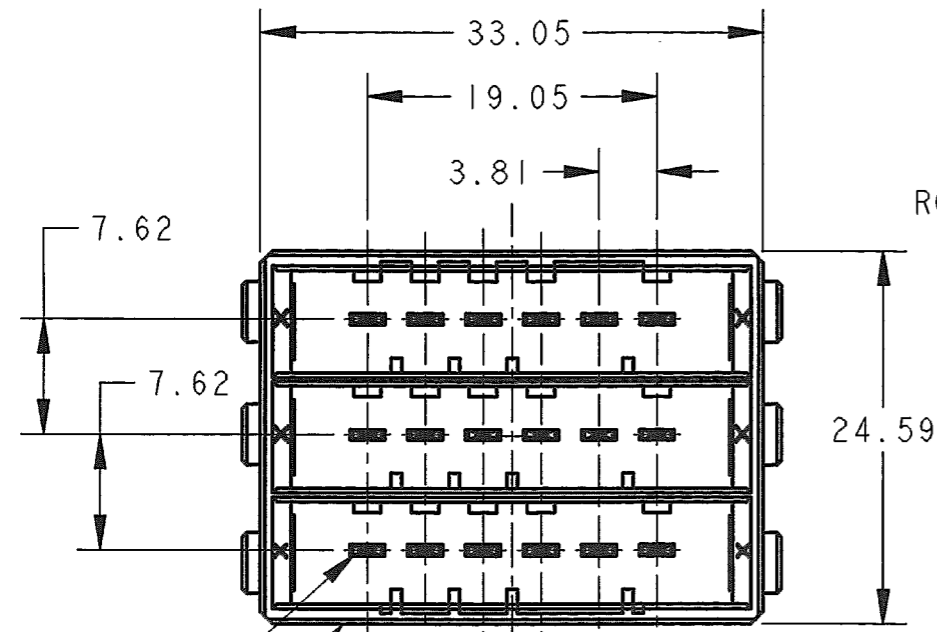


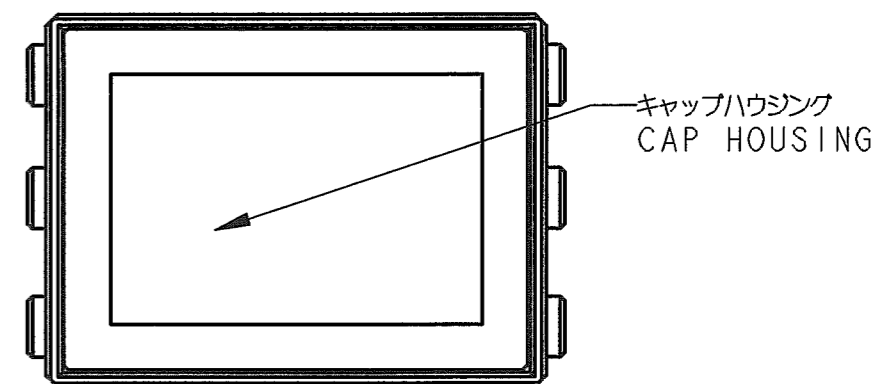
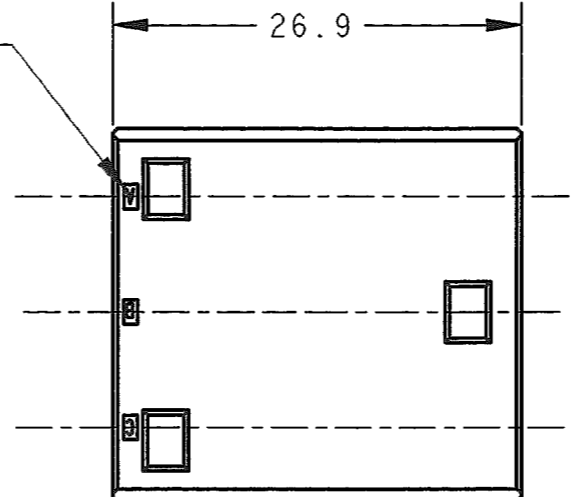
THIS DRAWING IS UNPUBLISHED. RELEASED FOR PUBLICATION 2001
 © COPYRIGHT 2001 BY TYCO ELECTRONICS CORPORATION. ALL RIGHTS RESERVED.

LOC	DIST	REVISIONS						
		P	LTR	DESCRIPTION	ECN	DATE	DWN	APVD
J	-	0		RELEASED	FJ00-1740-01	26SEP2001	S.Y	S.M
		01		REVISED	FJD0-0298-03	27AUG2003	D.M	S.M



-1 : AS SHOWN (F/H)
 -1 : 本図 (F/H)

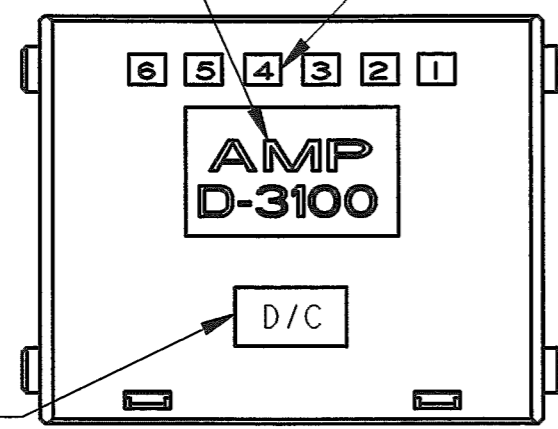
列番号
ROW NO.



タブコンタクト
TAB CONTACT

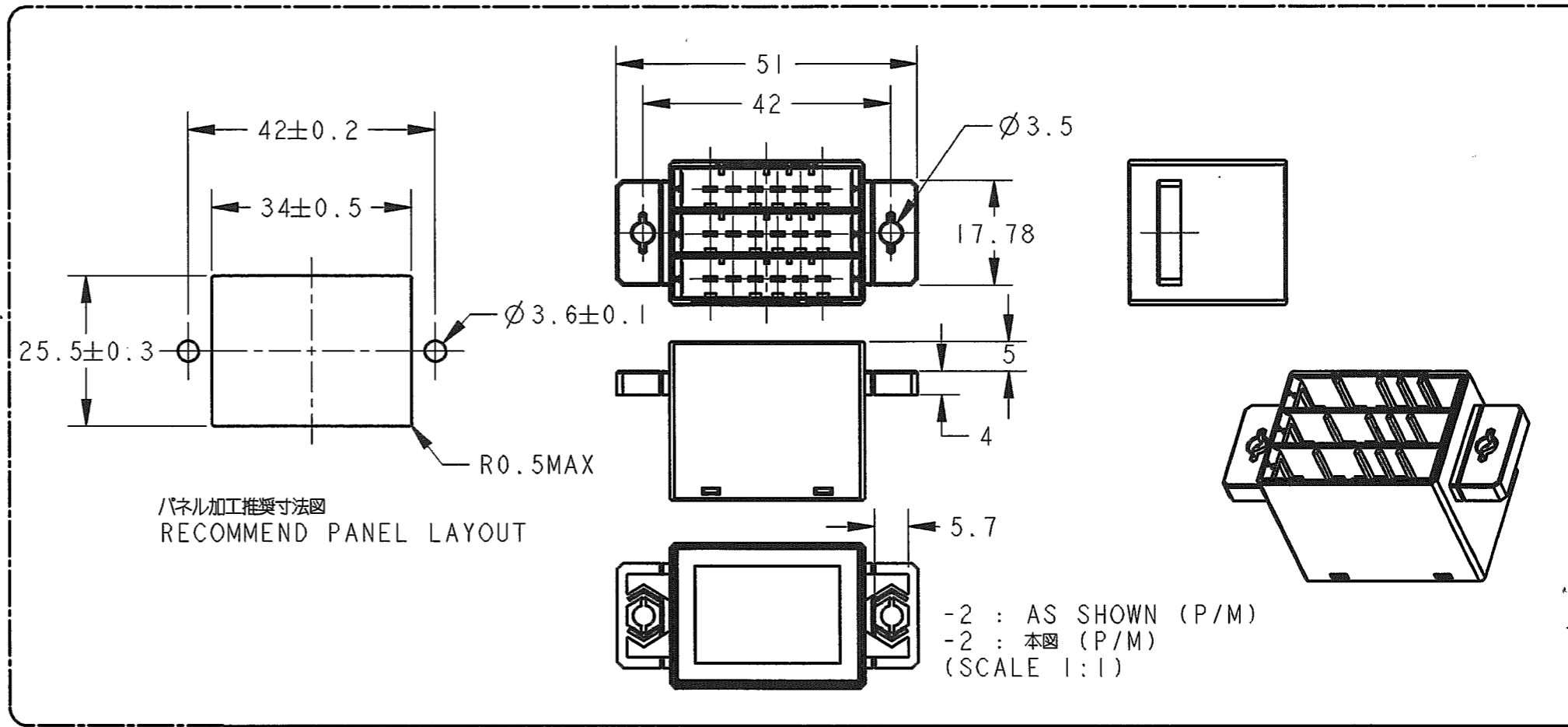
タップハウジング
TAP HOUSING

AMPマーク&シリーズマーク
AMP MARK & SERIES MARK



テートコード
D/C

回路番号
CIRCUIT No.



-2 : AS SHOWN (P/M)
 -2 : 本図 (P/M)
 (SCALE 1:1)

注記
 1、材料：ハウジング：ガラス入り熱可塑性ポリエステル樹脂、94V-0、黒
 コンタクト：銅合金
 2、メッキ：コンタクト：全面Ni下地 1.3μmMIN、接点部：金メッキ 0.38μmMIN

NOTE
 1, MATERIAL; HOUSING: GLASS FILED THERMOPLASTIC, 94V-0, BLACK
 CONTACT: COPPER ALLOY
 2, FINISH; UNDER PLATE: Ni 1.3μm MIN, CONTACT AREA: Au 0.38μm MIN

<small>THIS DRAWING IS A CONTROLLED DOCUMENT FOR TYCO ELECTRONICS CORPORATION IT IS SUBJECT TO CHANGE AND THE CONTROLLING ENGINEERING ORGANIZATION SHOULD BE CONTACTED FOR THE LATEST REVISION.</small>		DWN 09AUG2001 S. YOKOZEKI CHK 26SEP2001 D. MITSUGI APVD 26SEP2001 S. MANABE	tyco Electronics Tyco Electronics AMP K.K. Kawasaki, Japan
DIMENSIONS: 単位: ㎜ mm	TOLERANCES UNLESS OTHERWISE SPECIFIED: 0 PLC ±- 1 PLC ± ±0.4 2 PLC ± ±3° 3 PLC ±- 4 PLC ±- ANGLES ±-	PRODUCT SPEC 製品規格 108-5754 APPLICATION SPEC 取付適用規格 -	NAME 名称 DYNATAP CONN. 18P ASSY -DYNAMIC 3100 -
MATERIAL 材料	FINISH 仕上	WEIGHT	SIZE A3
CUSTOMER DRAWING		SCALE 2:1	SHEET 1 OF 1
		DRAWING NO. C=1376807	RESTRICTED TO REV 01