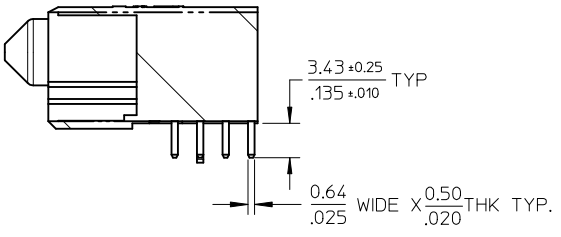


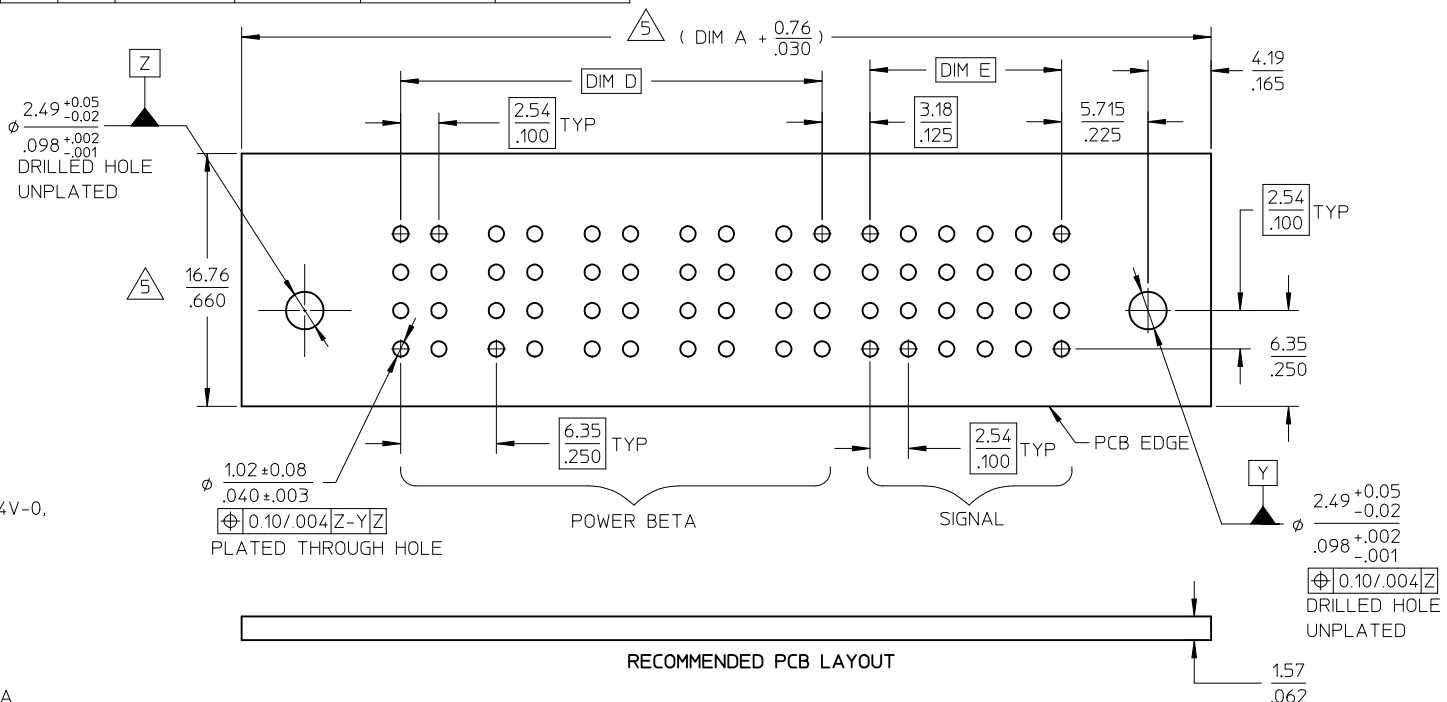
SECTION Y-Y



SECTION Z-Z

| | | | | | | | | | | |
|---|-------------------------------|---------------------------------------|---------|---|--------------------|--|------------------------------|------------------------|--|--|
| ADD P/N: 87668-2008 EC NO: S2012-0166 DRWN:SKANG 2011/08/29 CHKD:ATSEE 2012/12/19 APPR:MLONG 2011/12/22 | QUALITY SYMBOLS ▽=0 ▽=0 | GENERAL TOLERANCES (UNLESS SPECIFIED) | | DIMENSION STYLE MM/IN | | SCALE NTS | DESIGN UNITS METRIC | THIRD ANGLE PROJECTION | | |
| | | 4 PLACES ± --- ± --- | mm INCH | DRAWN BY KMG0H | DATE 2003/06/18 | TITLE POWER CONNECTOR RECEPT. S-P(B) CONFIGURATION R/A, BOARDLOCK | | | | |
| | | 3 PLACES ± --- ± .010 | | CHECKED BY PTL IM | DATE 2003/06/20 | MOLEX INCORPORATED | | | | |
| | | 2 PLACES ± 0.25 ± --- | | APPROVED BY SKTOH | DATE 2003/06/20 | MATERIAL NO. SEE TABLE | DOCUMENT NO. SD-87668-014 | SHEET NO. 1 OF 2 | | |
| 1 PLACE ± --- ± --- | | ANGULAR ± 3 ° | | THIS DRAWING CONTAINS INFORMATION THAT IS PROPRIETARY TO MOLEX INCORPORATED AND SHOULD NOT BE USED WITHOUT WRITTEN PERMISSION | | | | | | |
| DRAFT WHERE APPLICABLE MUST REMAIN WITHIN DIMENSIONS | | | | | | | | | | |

| PART NUMBER | S-P CONFIGURATION | | DIM A | DIM B | DIM C | DIM D | DIM E | VOID PIN LOCATION | VOID POWER LOCATION | PACKAGING | STATUS |
|-------------|-------------------|------------|-----------------|-----------------|----------------|----------------|----------------|-------------------|---------------------|-----------|--------|
| | SIGNAL | POWER BETA | | | | | | | | | |
| 87668-2002 | 24 | 10 | 95.25 3.750 | 87.63 3.450 | 86.36 3.400 | 59.69 2.350 | 12.70 .500 | NIL | NIL | TRAY | TOOLED |
| 87668-2003 | 20 | 4 | 54.61 2.150 | 46.99 1.850 | 45.72 1.800 | 21.59 .850 | 10.16 .400 | NIL | NIL | TRAY | TOOLED |
| 87668-2004 | 24 | 6 | 69.85 2.750 | 62.24 2.450 | 60.96 2.400 | 34.29 1.350 | 12.70 .500 | NIL | NIL | TRAY | TOOLED |
| 87668-2006 | 24 | 12 | 107.95 4.250 | 100.33 3.950 | 99.06 3.900 | 72.39 2.850 | 12.70 .500 | NIL | NIL | TRAY | TOOLED |
| 87668-2007 | 20 | 4 | 54.61 2.150 | 46.99 1.850 | 45.72 1.800 | 21.59 0.850 | 10.16 0.400 | A4,B4,C4,D4 | NIL | TRAY | TOOLED |
| 87668-2008 | 24 | 10 | 95.25 3.750 | 87.63 3.450 | 86.36 3.400 | 59.69 2.350 | 12.70 .500 | NIL | B#1 | TRAY | TOOLED |



- NOTES:
- MATERIALS : HOUSING - LCP GLASS FILLED, UL94V-0, COLOR: BLACK
POWER PINS - COPPER ALLOY
SIGNAL PINS - COPPER ALLOY
BOARD LOCK - COPPER ALLOY
 - FINISHES: POWER AD SIGNAL PINS
SELECTIVE GOLD IN THE CONTACT AREA
THICKNESS = 0.76 MICROMETER / 30 MICROINCH MINIMUM
SELECTIVE TIN IN THE PC TAIL AREA
THICKNESS = 2.54 MICROMETER / 100 MICROINCH MINIMUM
NICKEL OVERALL
 - PRODUCT SPECIFICATIONS : PS-87631-006
 - SEE SHEET 2 FOR RECOMMENDED PCB LAYOUT AND THICKNESS
 - COMPONENT STAY AWAY ZONE FROM CONNECTOR
 - REFER TO THE TABLE IN PAGE 3 FOR RECESSED PINS LOCATION
 - 24 SIGNAL - 5 POWER CONNECTOR IS SHOWN FOR ILLUSTRATION

| | | | | | | |
|---|---|---|---|--|--|--|
| ADD P/N: 87668-2008 EC NO: S2012-0166 DRWN:SKANG 2011/08/29 CHKD:ATSEE 2012/12/19 APPR:MLONG 2011/12/22 REV D2 | QUALITY SYMBOLS ▽=0 ▽=0 | GENERAL TOLERANCES (UNLESS SPECIFIED) mm INCH 4 PLACES ± --- ± --- 3 PLACES ± --- ± .010 2 PLACES ± 0.25 ± --- 1 PLACE ± --- ± --- ANGULAR ± 3° | DIMENSION STYLE MM/IN DRAWN BY: KMG0H DATE: 2003/06/18 CHECKED BY: PTLIM DATE: 2003/06/20 APPROVED BY: SKTOH DATE: 2003/06/20 | SCALE NTS DESIGN UNITS METRIC THIRD ANGLE PROJECTION | TITLE POWER CONNECTOR RECEPT. S-P(B) CONFIGURATION R/A, BOARDLOCK | |
| | DRAFT WHERE APPLICABLE MUST REMAIN WITHIN DIMENSIONS | MATERIAL NO. SEE TABLE | DOCUMENT NO. SD-87668-014 | SHEET NO. 2 OF 2 | MOLEX INCORPORATED | |
| | THIS DRAWING CONTAINS INFORMATION THAT IS PROPRIETARY TO MOLEX INCORPORATED AND SHOULD NOT BE USED WITHOUT WRITTEN PERMISSION | | | | | |
| | SIZE A3 | | | | | |