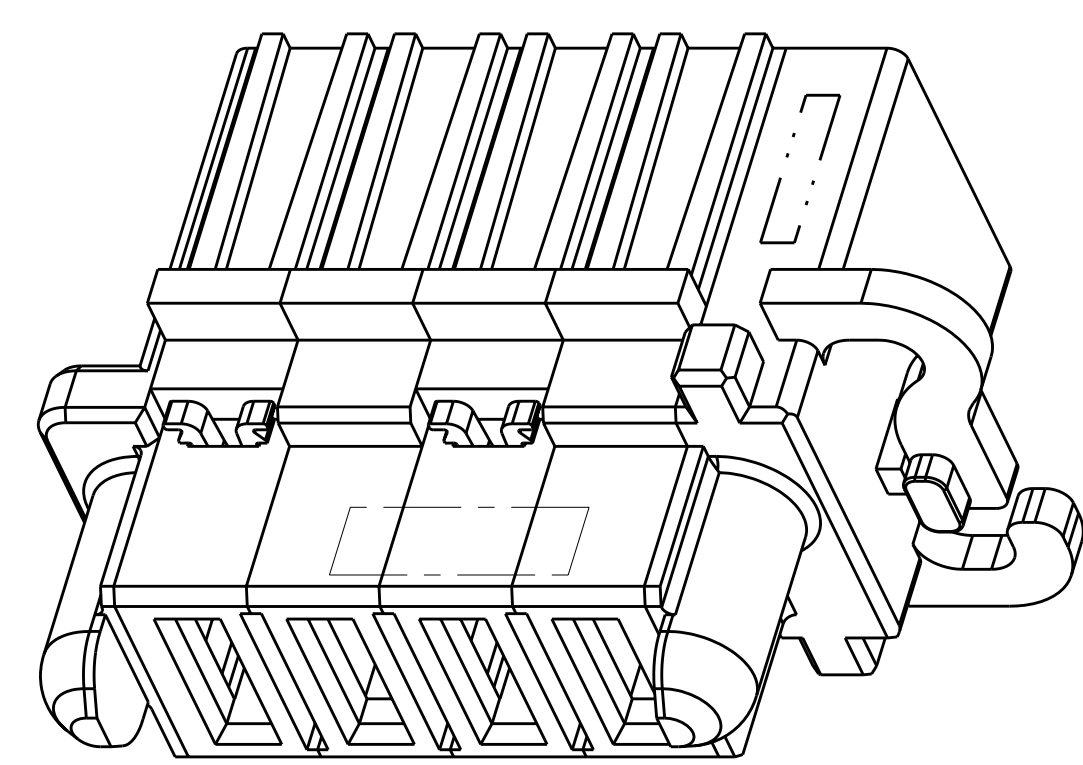
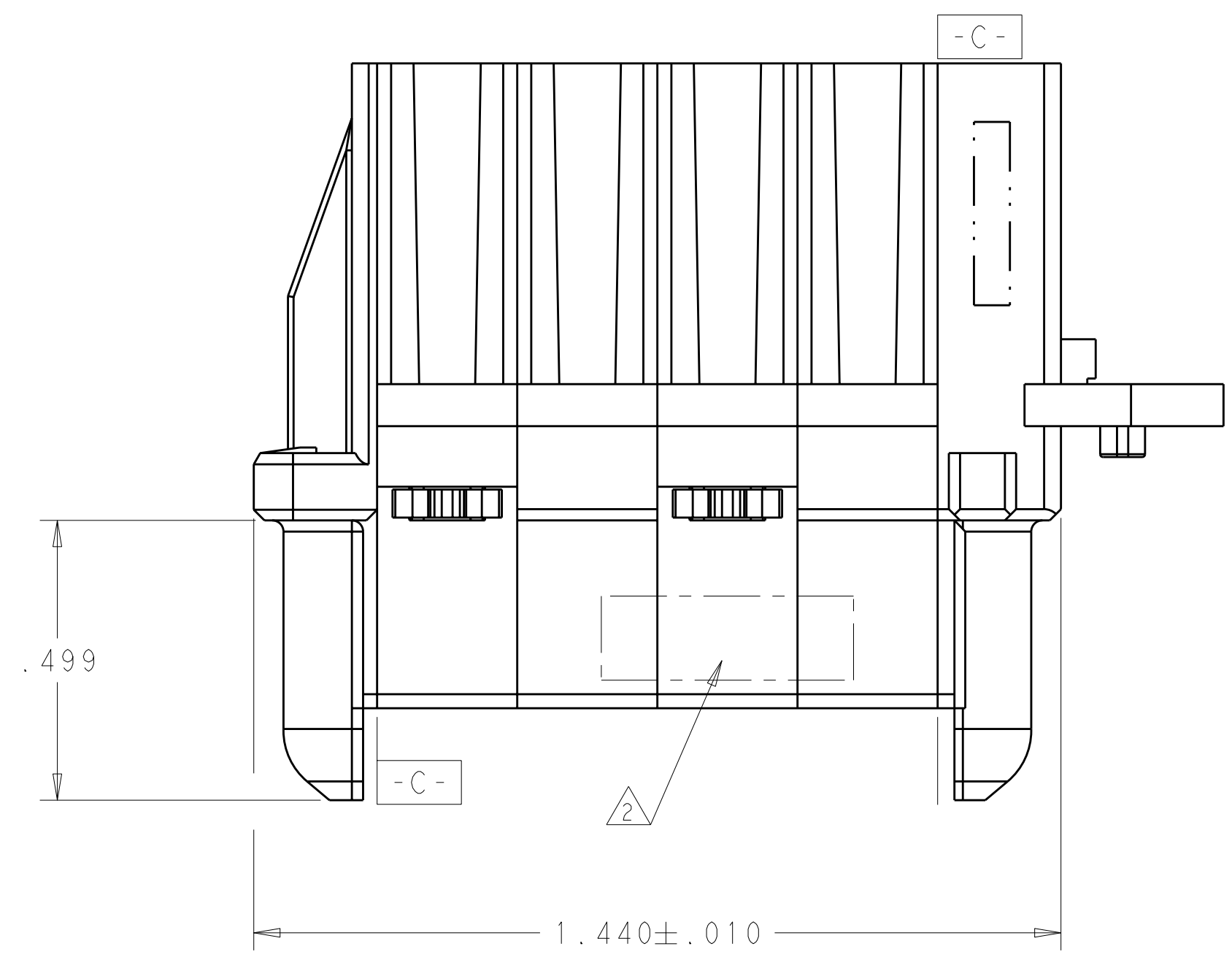


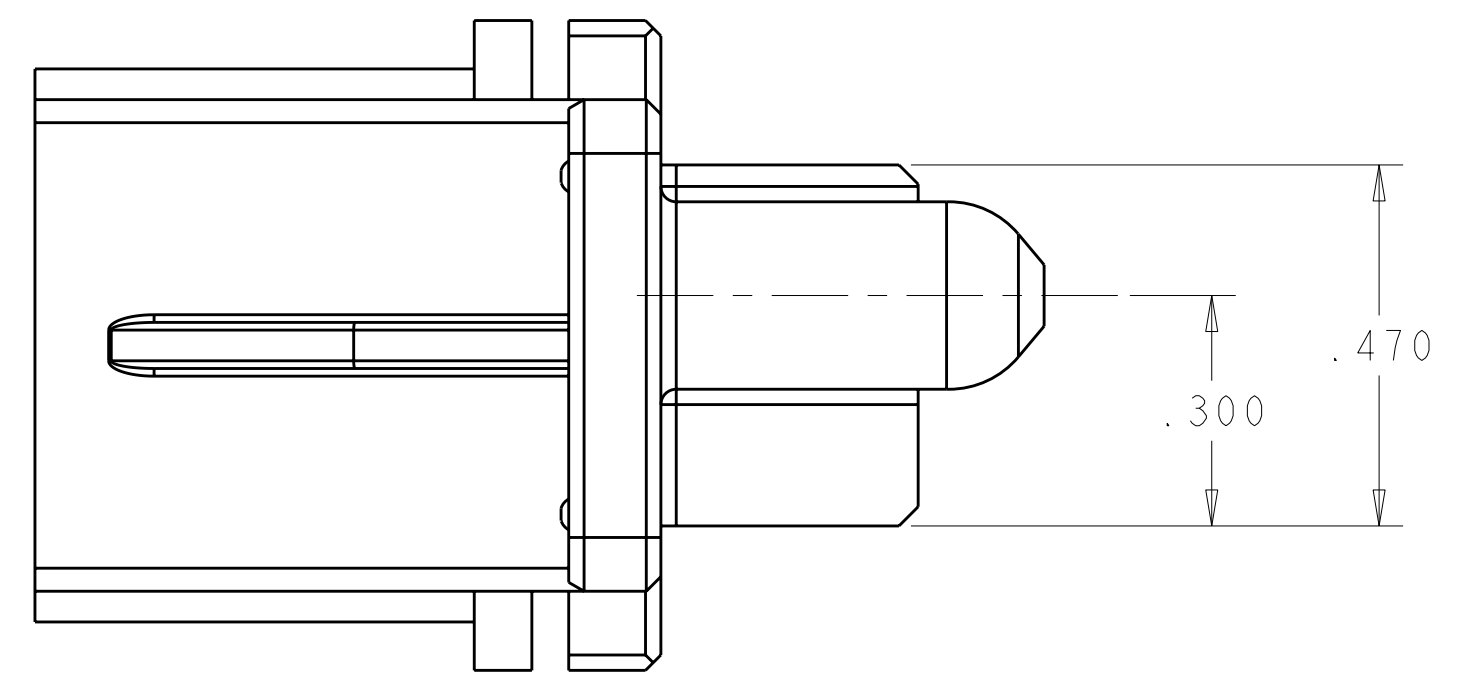
LOC	DIST	REV	DATE	BY	APP'D
ES	00	1	12MAR2010	IL	SY
		A	18MAR2010	IL	SY



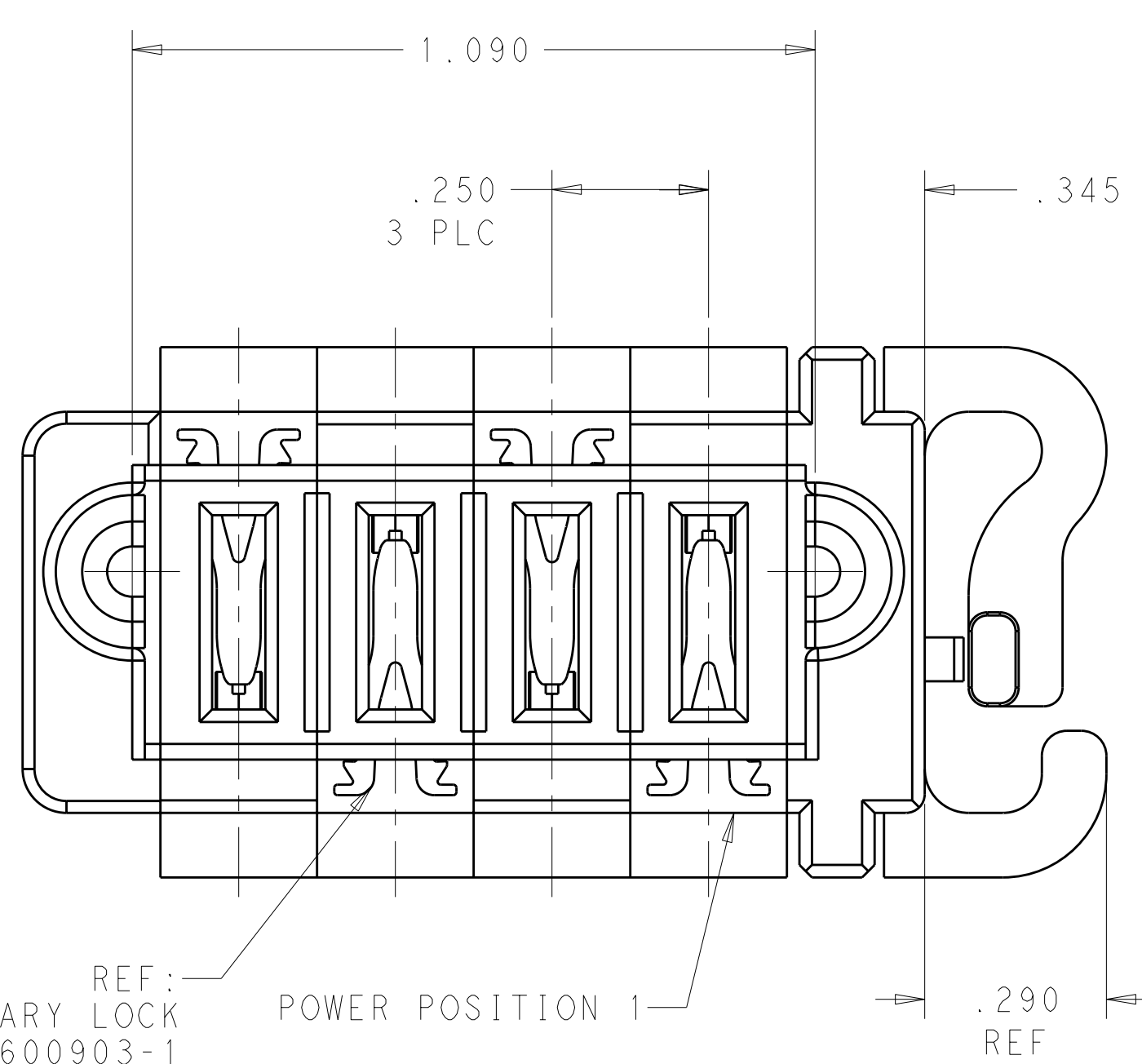
ISOMETRIC VIEW



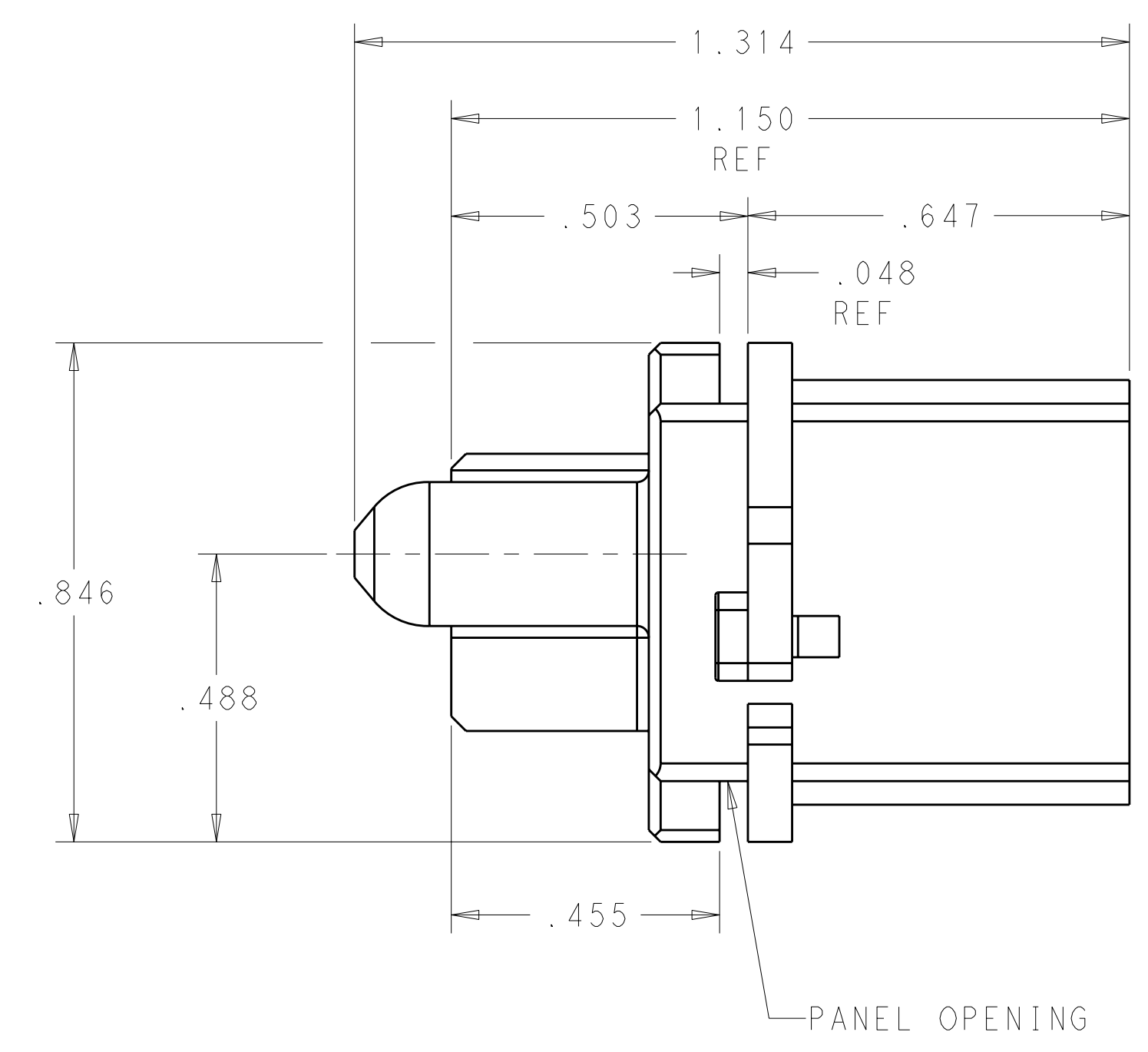
- ⚠ MATERIAL: THERMO PLASTIC, UL94 V-0.
- ⚠ COMPANY TRADEMARK, PART NUMBER, AND DATE CODE TO BE MARKED IN AREA SHOWN.
- ⚠ PANEL THICKNESS = .040 ± .005
- ⚠ CONNECTOR KEEP OUT ZONE.
- ⚠ POWER CONTACT REFERENCE:  
 PART NUMBER: 1600960 & 1600961  
 MATERIAL: COPPER ALLOY  
 FINISH (INTERFACE): .0000030 Au OVER .0000050 Ni



REF: POWER SECONDARY LOCK  
 PART NUMBER: 1600903-1



POWER POSITION 1



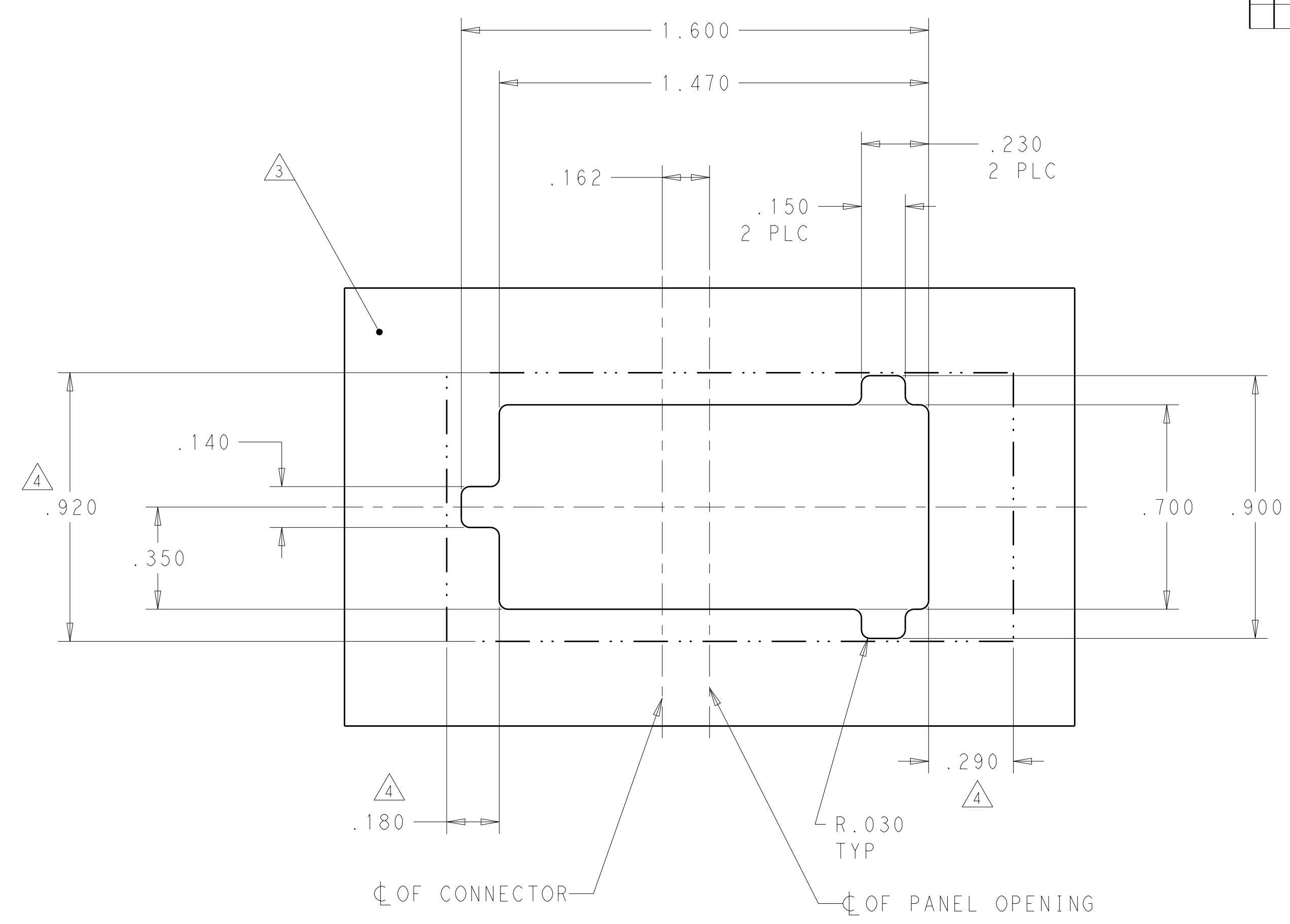
PANEL OPENING

4P	1892981-1
DESCRIPTION	PART NUMBER

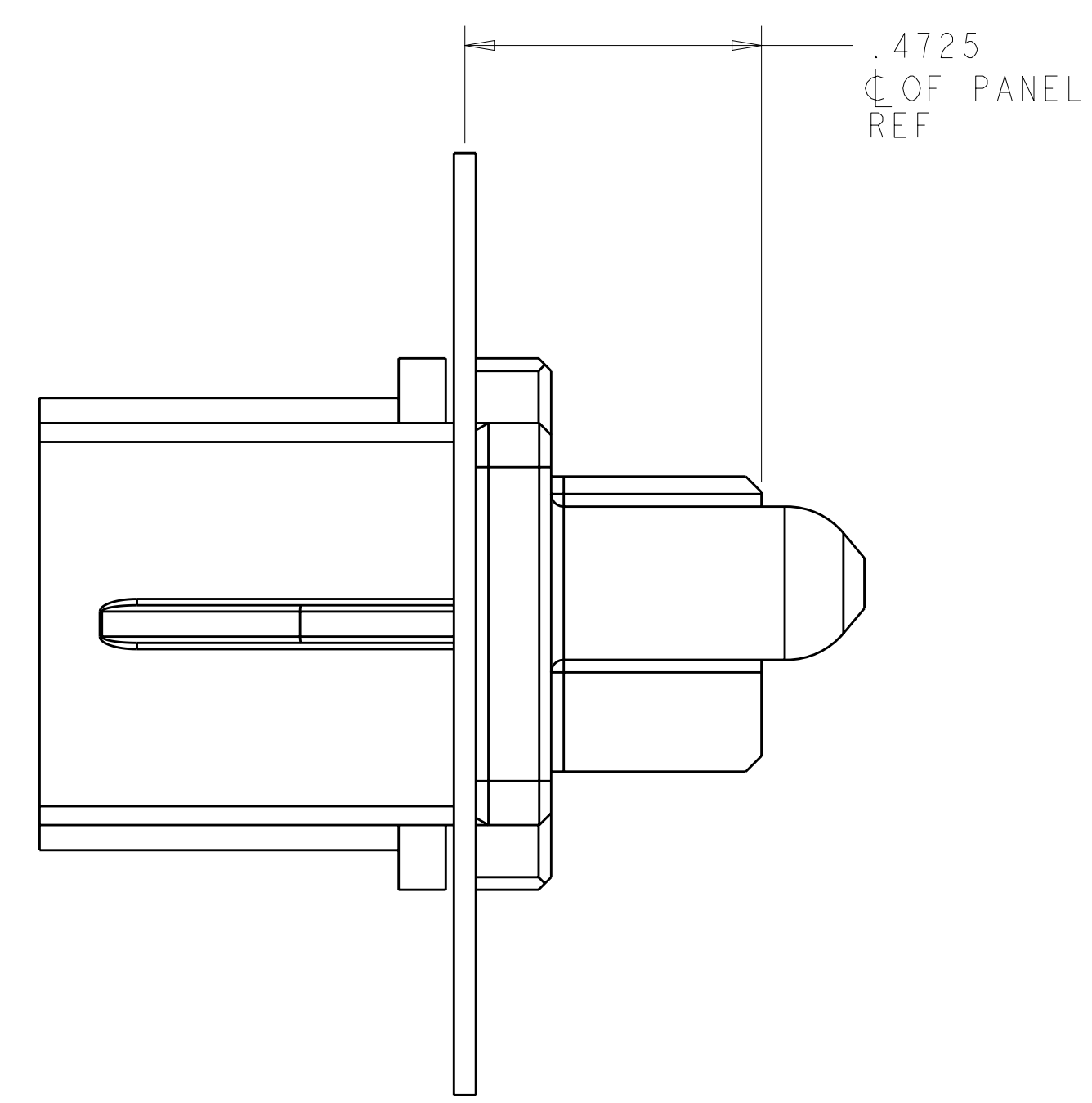
<small>THIS DRAWING IS UNPUBLISHED. RELEASED FOR PUBLICATION BY TYCO ELECTRONICS CORPORATION. ALL RIGHTS RESERVED. THIS IS SUBJECT TO CHANGE WITHOUT NOTICE. THE USER SHALL BE RESPONSIBLE FOR VERIFYING THE DIMENSIONS AND TOLERANCES OF THE PARTS AND CONTACTS FOR THE LATEST REVISION.</small>		DWN: L.LEE 12MAR2010 CHK: S.ZHAO 12MAR2010 APVD: S.YAO 12MAR2010	Tyco Electronics Corporation Shanghai, P.R.China, 200233
DIMENSIONS: INCHES 	TOLERANCES UNLESS OTHERWISE SPECIFIED: 9 PLC ±. 7 PLC ±. 5 PLC ±. 4 PLC ±.005 ANGLES ±.0020 FINISH ±.0020	NAME: S.LEE PRODUCT SPEC: APPLICATION SPEC: WEIGHT: CUSTOMER DRAWING	NAME: SLIDE TO LOCK PANEL MOUNT CABLE RECEPTACLE HOUSING WITH SLIM GUIDES, MULTI-BEAM XLE SIZE: A100779 CAGE CODE: C=1892981 SCALE: 4:1 SHEET: 1 OF 2 REV: A

LOC	DIST	REV	DATE	BY	APPD
ES	00				
REVISIONS			DESCRIPTION	DATE	DWN
			SEE SHEET 1		

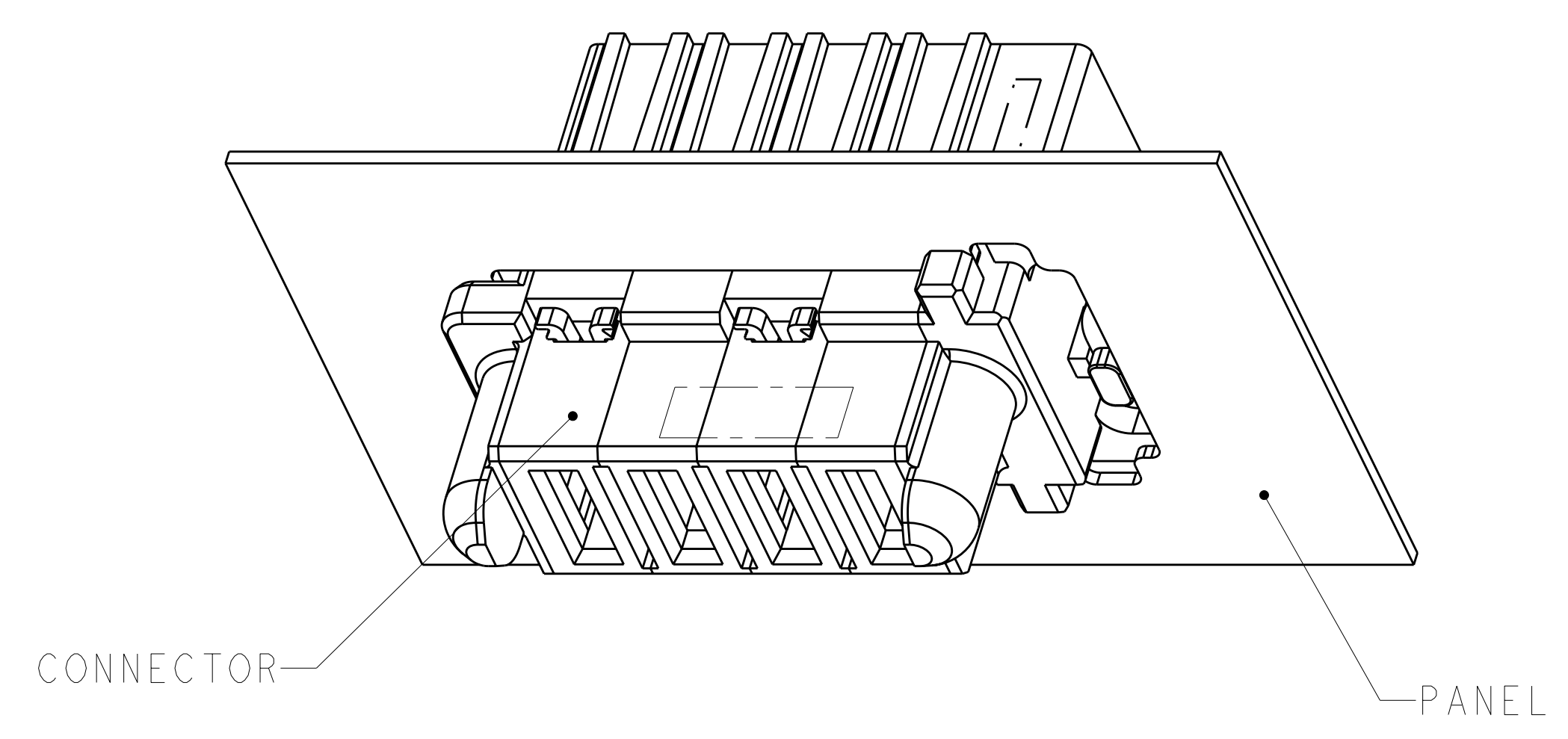
PART NUMBER	POWER			
	P4	P3	P2	P1
1892981-1	RA	RA	RA	RA
4P				



# PANEL LAYOUT



SCALE 4:1



RM	STANDARD POWER CONTACT
RA	MFBL POWER CONTACT
CODE	DESCRIPTION
CONTACT TABLE	

<small>THIS DRAWING IS UNPUBLISHED. RELEASED FOR PUBLICATION 20. THIS IS SUBJECT TO CHANGE WITHOUT NOTICE. THE USER SHALL BE RESPONSIBLE FOR VERIFYING DIMENSIONS AND TOLERANCES. DIMENSIONS ARE GIVEN IN INCHES UNLESS OTHERWISE SPECIFIED.</small>		DWN: L. LEE 12MAR2010 CHK: S. ZHAO 12MAR2010 APVD: S. YAO 12MAR2010	Tyco Electronics Corporation Shanghai, P.R.China, 200233
DIMENSIONS: INCHES TOLERANCES UNLESS OTHERWISE SPECIFIED: 0 PLC ± 1 PLC ± 2 PLC ± 3 PLC ±.005 4 PLC ±.0020 ANGLES ±2° FINISH	NAME: SLIDE TO LOCK PANEL MOUNT CABLE RECEPTACLE HOUSING WITH SLIM GUIDES, MULTI-BEAM XLE PRODUCT SPEC APPLICATION SPEC WEIGHT CUSTOMER DRAWING	SCALE: 4:1 SHEET: 2 OF 2 REV: A	SIZE: A100779 CAGE CODE: C-1892981