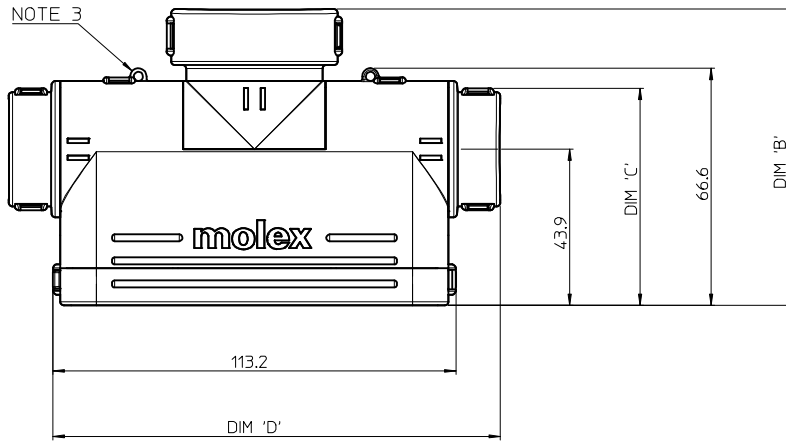
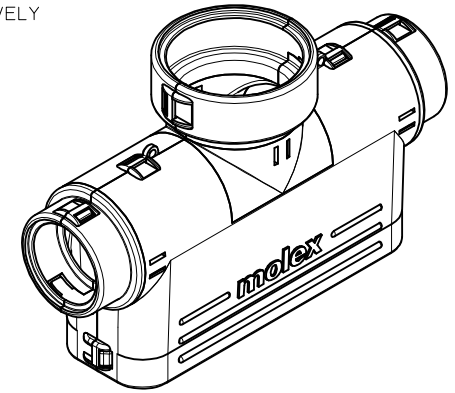


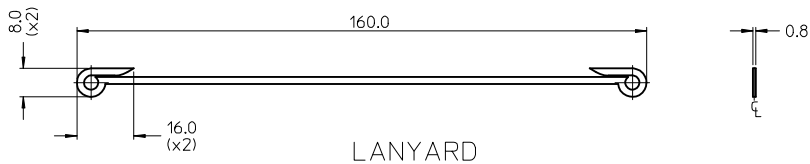
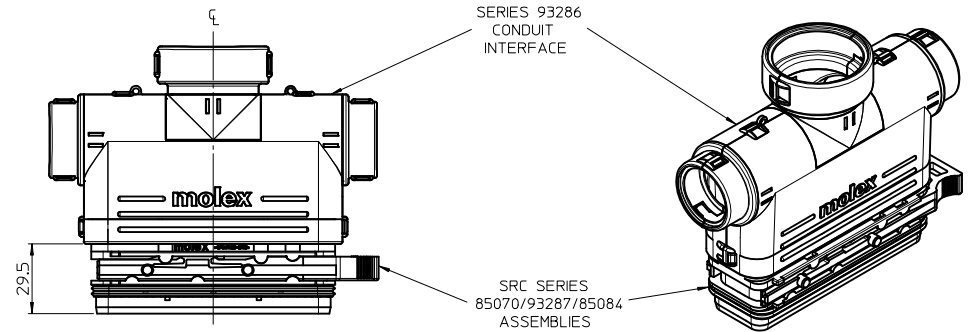
NOTES:

1. MATERIAL (CONDUIT INTERFACE AND LANYARD): POLYAMIDE, UNFILLED, COLOUR: BLACK
2. PACKAGING SPECIFICATION: PK-93286-001
PART NUMBERS LISTED ON SHEET 2 COMPRISE OF TWO SEPARATE MATING PARTS, UNCLIPPED AND CONNECTED AS ONE UNIT WITH A LANYARD
3. FEATURE FOR LANYARD CONNECTION
4. MATES WITH: NC & NW FORMAT CONDUIT
MOLEX SERIES 85070, 93287, 85084, REFERENCE SALES DRAWINGS SD-85070-300, SD-93287-001 AND SD-85084-700 RESPECTIVELY
5. IP RATING: IP40 WHEN CONDUIT USED WITH EXITS



OUTLET SIZE DIMENSION	FEMALE			MALE
	28	32	40	28
A	32.1	38.3	46.8	28.2
B	77.5	77.5	83.3	77.6
C	70.0	64.1	68.5	58.0
D	125.6	125.6	131.4	125.7

MATING COMPONENTS VIEW

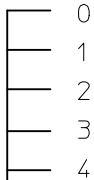


LANYARD

MATERIAL CHANGE EC NO: IPG2013-0850 DRWN: J WALLACE 2012/10/30 CHKD: MSHANAHAN 2013/10/10 APPR: STURTELLIN 2013/10/10	QUALITY SYMBOLS	GENERAL TOLERANCES (UNLESS SPECIFIED)	DIMENSION STYLE	SCALE	DESIGN UNITS	THIRD ANGLE PROJECTION															
	$\nabla=0$ $\nabla=0$	<table border="1"> <tr> <th></th> <th>mm</th> <th>INCH</th> </tr> <tr> <td>4 PLACES</td> <td>± 0.15</td> <td>± 0.006</td> </tr> <tr> <td>3 PLACES</td> <td>± 0.20</td> <td>± 0.008</td> </tr> <tr> <td>2 PLACES</td> <td>± 0.25</td> <td>± 0.010</td> </tr> <tr> <td>1 PLACE</td> <td>± 0.5</td> <td>± 0.020</td> </tr> </table>		mm	INCH	4 PLACES	± 0.15	± 0.006	3 PLACES	± 0.20	± 0.008	2 PLACES	± 0.25	± 0.010	1 PLACE	± 0.5	± 0.020	MM ONLY	1:1	METRIC	
		mm	INCH																		
	4 PLACES	± 0.15	± 0.006																		
3 PLACES	± 0.20	± 0.008																			
2 PLACES	± 0.25	± 0.010																			
1 PLACE	± 0.5	± 0.020																			
DESCRIPTION	DRAWN BY	DATE	TITLE	MOLEX INCORPORATED DOCUMENT NO. SD-93286-001 SHEET NO. 1 OF 2																	
	JOCANNOR	2010/07/01	SRC CONDUIT INTERFACE																		
	CHECKED BY	DATE																			
	MSHANAHAN	2012/02/08																			
	APPROVED BY	DATE																			
	EFOLAN	2012/02/15																			
	MATERIAL NO.	SEE SHEET 2																			
	SIZE	A2	THIS DRAWING CONTAINS INFORMATION THAT IS PROPRIETARY TO MOLEX INCORPORATED AND SHOULD NOT BE USED WITHOUT WRITTEN PERMISSION																		

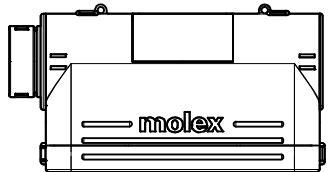
10 9 8 7 6 5 4 3 2 1

*
T



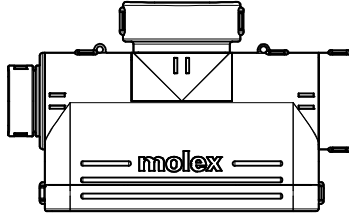
A/B	OUTLET
0	BLANK
1	Ø28 MALE
2	Ø28 FEMALE
3	Ø32 FEMALE
4	Ø40 FEMALE

EXAMPLE:



93286-0010:
SIDE EXITS: Ø28 MALE & BLANK = 01
CENTRE EXIT: BLANK = 0

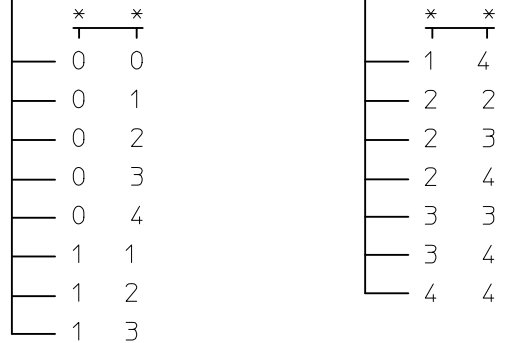
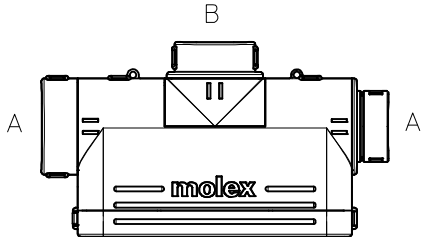
EXAMPLE:



93286-0134:
SIDE EXITS: Ø28 MALE & Ø32 FEMALE = 13
CENTRE EXIT: Ø40 FEMALE = 4

93286-0***

CENTRE OUTLET (B)



SIDE OUTLETS (A - A)

OUTLET SIZE FORMAT CONVERSION CHART	
NC	NW
28	23
32	29
40	36

NOTES:
1. ALL OUTLET SIZES BASED ON UK NC SIZING FORMAT
2. MALE OUTLETS AVAILABLE IN SIZE NC 28 ONLY

SEE SHEET ONE EC NO: IPG2013-0850 DRWN: J WALLACE 2012/10/30 CHKD: M SHANAHAN 2013/10/10 APPR: S GRIFFIN 2013/10/10	QUALITY SYMBOLS	GENERAL TOLERANCES (UNLESS SPECIFIED)	DIMENSION STYLE	SCALE	DESIGN UNITS	THIRD ANGLE PROJECTION
	▽=0 ◻=0		MM ONLY	1:2	METRIC	
	DESCRIPTION		mm	DATE	TITLE	
	REV		INCH	DATE		
	4 PLACES ± --- ± ---		DRAWN BY	DATE	SRC CONDUIT INTERFACE	
	3 PLACES ± --- ± ---		JOCONNOR	2010/07/01		
	2 PLACES ± 0.25 ± ---		CHECKED BY	DATE		
	1 PLACE ± 0.5 ± ---		MSHANAHAN	2012/02/08		
	ANGULAR ± 2 °		APPROVED BY	DATE		
	DRAFT WHERE APPLICABLE MUST REMAIN WITHIN DIMENSIONS		EFOLAN	2012/02/15		
			MATERIAL NO.		MOLEX INCORPORATED	
			SEE CHART		DOCUMENT NO.	SHEET NO.
			SIZE A3		SD-93286-001	2 OF 2
			THIS DRAWING CONTAINS INFORMATION THAT IS PROPRIETARY TO MOLEX INCORPORATED AND SHOULD NOT BE USED WITHOUT WRITTEN PERMISSION			

9 8 7 6 5 4 3 2 1