



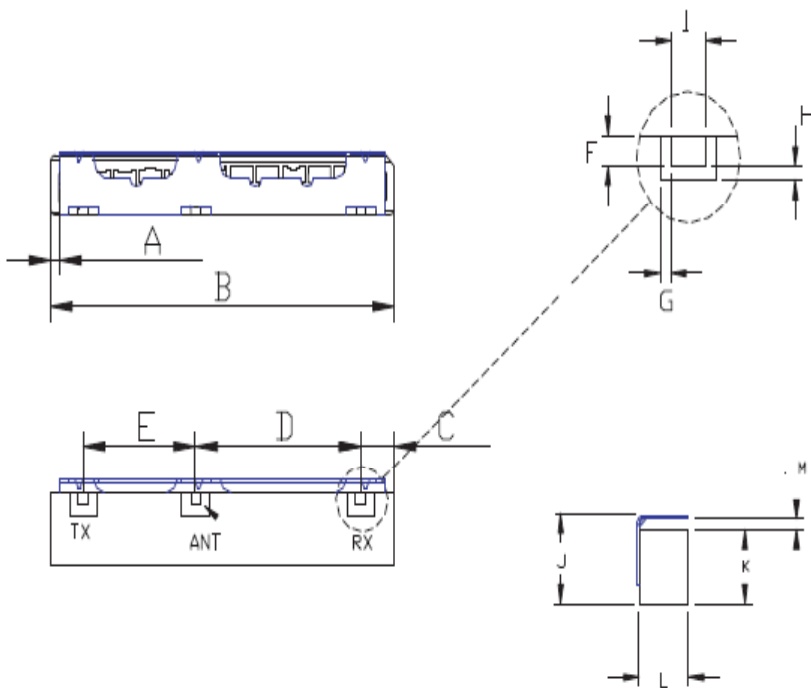
<u>Characteristics</u>	<u>Band 1</u>	<u>Band 2</u>
<b>Passband:</b>	1626.5-1660.5 MHz	1525-1559 MHz
<b>Bandwidth:</b>	34 MHz	34 MHz
<b>Passband Return Loss:</b>	10 dB min	10 dB min
<b>Passband Insertion Loss:</b>	1.5 dB max	1.5 dB max
<b>Passband Ripple:</b>	< 0.2 dB	< 0.2 dB
<b>Input / Output Impedance:</b>	50 Ohms	50 Ohms
<b>Isolation:</b>	60 dB min	65 dB min
<b>Power Handling:</b>	5 W max	5 W max

<u>Mechanical</u>	
<b>Mounting Method:</b>	SMT
<b>Dimensions:</b>	40.41 x 8.29 x 5.72 mm

<u>Environmental</u>	
<b>Operating Temperature:</b>	-40 to +70 deg.C
<b>Storage Temperature:</b>	-50 to +90 deg.C

**This product is RoHs compliant.**

**Outline Drawing:**



Dim	Nominal (mm)	Tolerance (mm) +/- or max
A	1.054	0.25
B	40.41	max
C	3.897	0.13
D	19.3	0.13
E	13.13	0.13
F	1.14	0.13
G	1.02	0.13
H	1.02	0.13
I	1.14	0.13
J	8.29	max
K	6.84	max
L	5.72	max
M	1.016	0.17

Available at our Web store: