

SACC-E-M12FS-5CON-M16/2,5


Order No.: 1540019



<http://eshop.phoenixcontact.de/phoenix/treeViewClick.do?UID=1540019>

Sensor/Actuator flush-type socket, 5-pos., M12, A-coded, front/screw mounting with M16 thread, with 2.5 m TPE litz wire, 5 x 0.34 mm²

Commercial data

GTIN (EAN)	 4 046356 082280
Note	Made-to-order
sales group	D125
Pack	1 pcs.
Customs tariff	85369010

Product notes

WEEE/RoHS-compliant since:
05/29/2006



<http://www.download.phoenixcontact.com>
Please note that the data given here has been taken from the online catalog. For comprehensive information and data, please refer to the user documentation. The General Terms and Conditions of Use apply to Internet downloads.

Technical data

General data

Rated current at 40°C	4 A
Rated voltage	60 V
Number of positions	5
Volume resistance	≤ 3 mΩ
Insulation resistance	> 100 MΩ

Length of cable	2.5 m
General characteristics	
Coding	A - standard
Surge voltage category	II
Pollution degree	3
Degree of protection	IP67
Contact material	CuZn
Contact surface material	Au
Contact carrier material	PA66 GF
Material, knurls	Nickel-plated brass
Sealing material	NBR
Type of connection	Individual wires
Status display	No
Conductor data	
Cable type	TPE litz wire
Conductor cross section	0.34 mm ²
AWG signal line	22
Conductor structure signal line	7x 0.25 mm
Core diameter including insulation	1.2 mm ±0.07 mm
Thickness, insulation	0.21 mm
Wire colors	Black, brown, blue, white, gray
Insulation resistance	≥ 20 MΩ*km
Conductor resistance	≤ 57.6 Ω/km
Nominal voltage, conductor	300 V
Test voltage, conductor	2000 V AC
Material conductor insulation	TPE
Conductor material	Tin-plated Cu litz wires

Certificates / Approvals



Certification

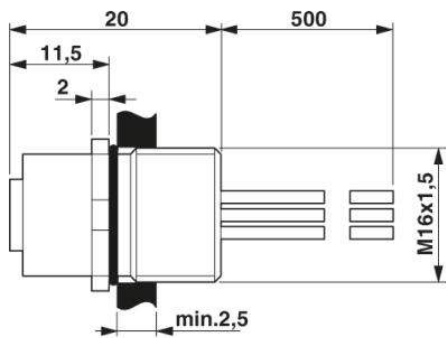
UL

Accessories

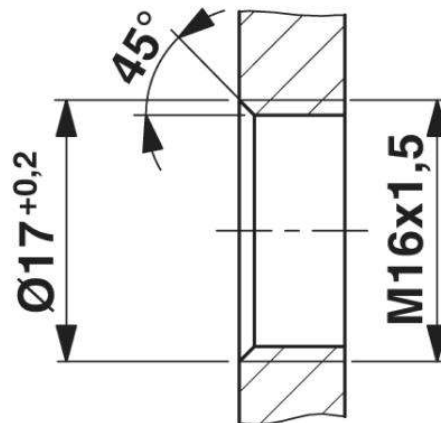
Item	Designation	Description
Assembly		
1504097	SACC-E-MU-M16	Flat nut with M16 thread

Diagrams/Drawings

Dimensioned drawing

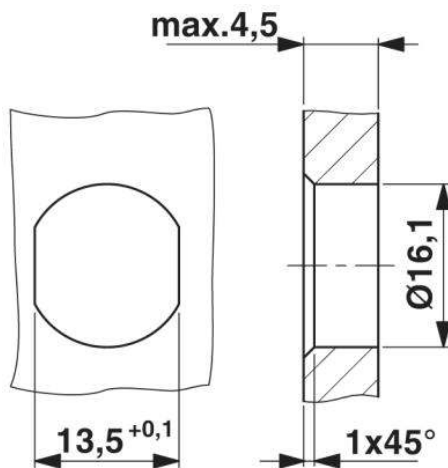


M12 flush-type connector

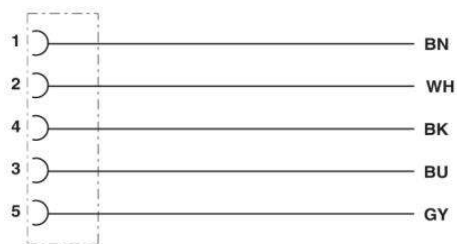


Housing cutout for M16 fastening thread, mounting panel with thread

Housing cutout for M16 fastening thread, mounting panel with feed-through hole (alternatively with surface as protection against rotation)

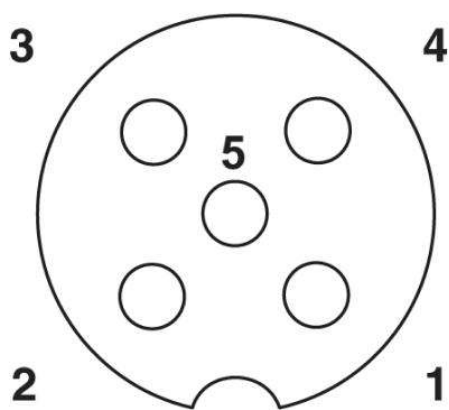


Circuit diagram



Contact assignment of the M12 plug and the M12 socket

Schematic diagram



Pin assignment M12 socket, 5-pos., A-coded, socket side view

Address

PHOENIX CONTACT Inc., USA
586 Fulling Mill Road
Middletown, PA 17057, USA
Phone (800) 888-7388
Fax (717) 944-1625
<http://www.phoenixcon.com>



© 2010 Phoenix Contact
Technical modifications reserved;