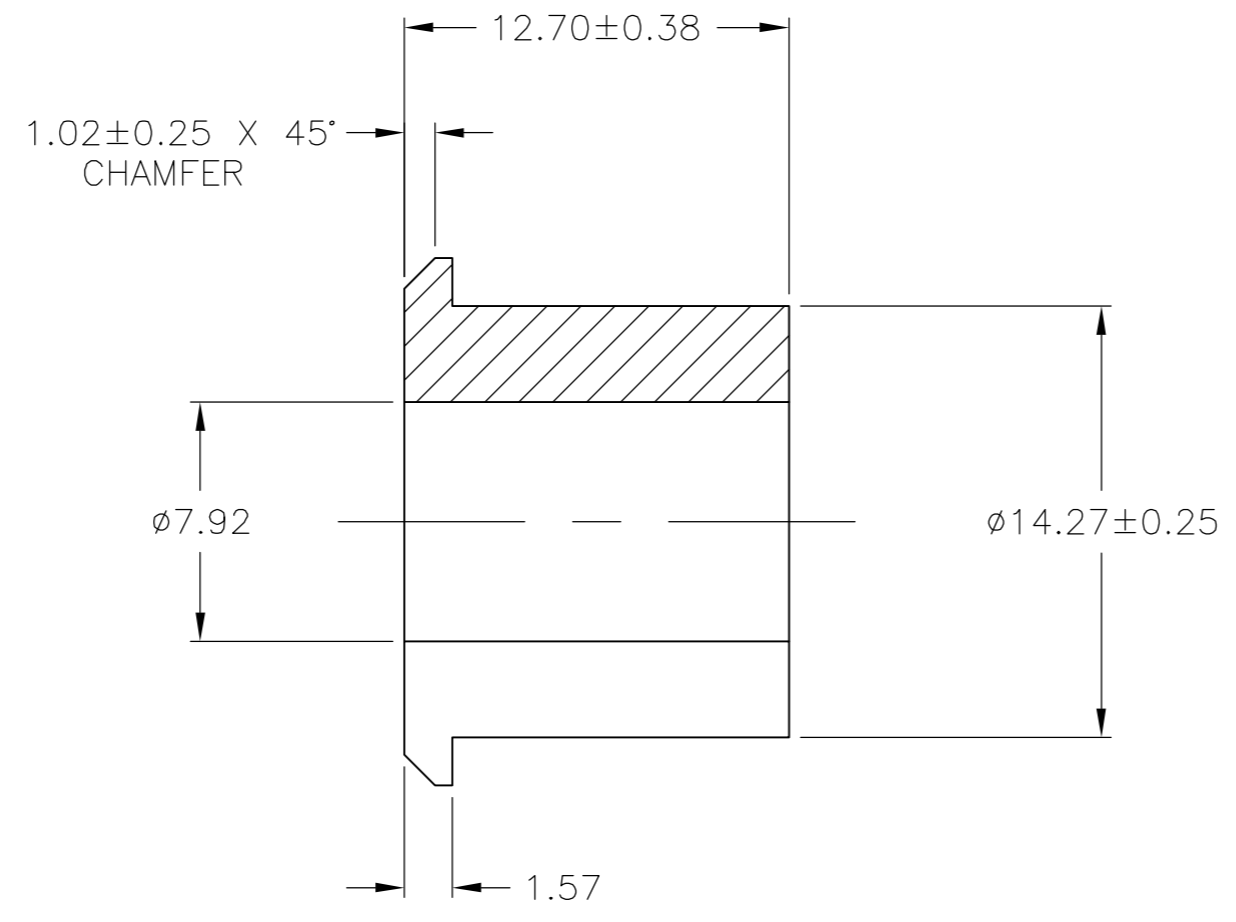
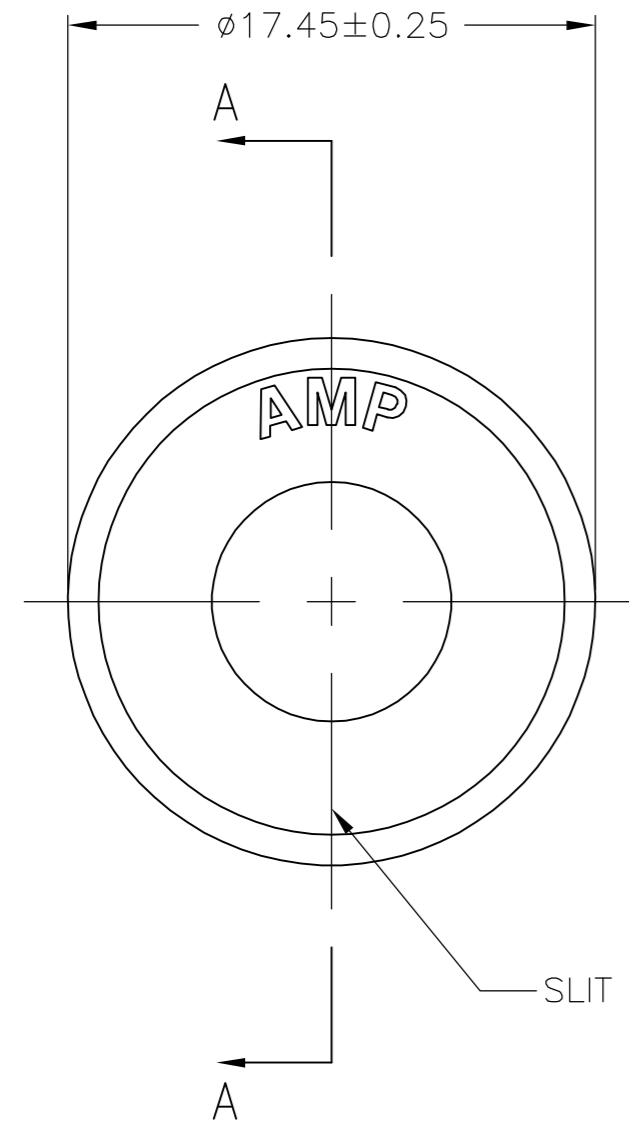
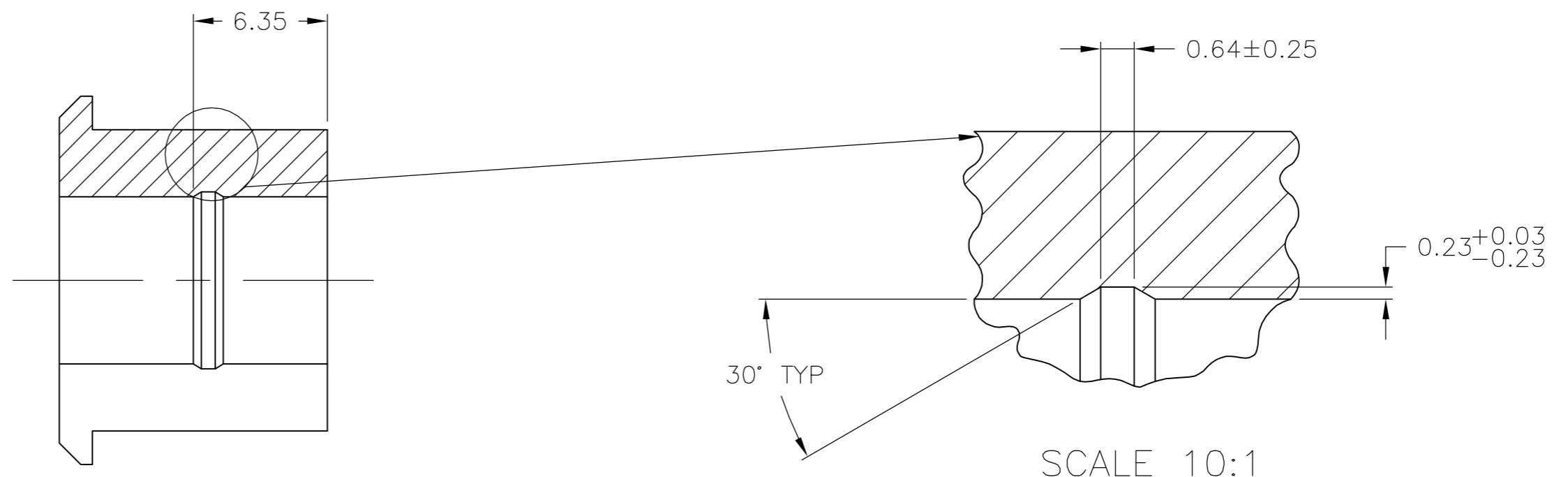
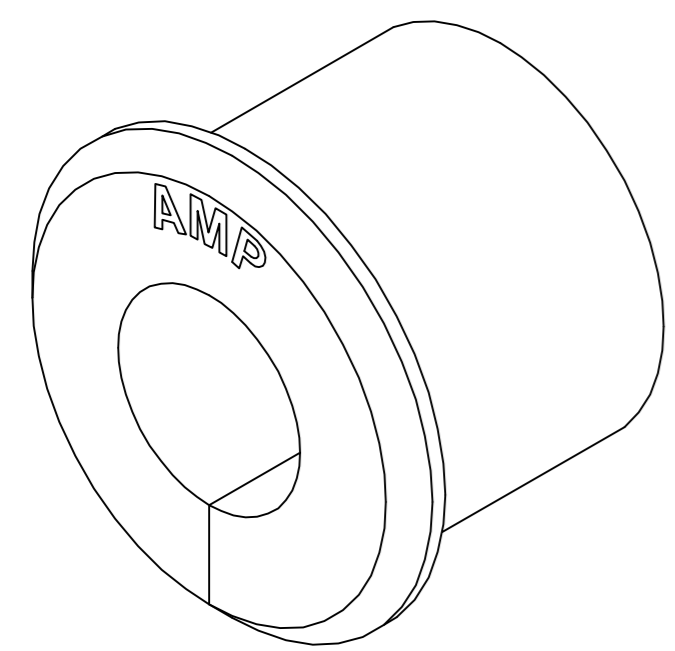


THIS DRAWING IS UNPUBLISHED. RELEASED FOR PUBLICATION
 © COPYRIGHT BY TYCO ELECTRONICS CORPORATION. ALL RIGHTS RESERVED.

| LOC | | DIST | | REVISIONS | | | |
|-----|-----|---------------|---------|-----------|------|--|--|
| P | LTR | DESCRIPTION | DATE | DWN | APVD | | |
| | G | ECO-06-012706 | 09JUN06 | BSV | JR | | |



1. USE WITH STRAIN RELIEF 480594.
2. MOLDING COMPOUND PVC, FLEXIBLE, 55/75 DUROMETER (B SCALE), BLACK.
3. MOLDING COMPOUND PVC, FLEXIBLE, BLACK.



SECTION A-A
OPTIONAL CONSTRUCTION

3-DIMENSIONAL MODEL
NTS

| | | |
|--------------------------|----------|-------------|
| SUPERCEDED BY 2-380937-0 | 3 | 2-380937-0 |
| | 2 | 1-380937-0 |
| | MATERIAL | PART NUMBER |

| MM | IN | MM | IN | MM | IN |
|------|------|------|------|-------|------|
| 0.38 | .015 | 7.92 | .312 | - | - |
| 0.25 | .010 | 6.35 | .250 | - | - |
| 0.23 | .009 | 1.57 | .062 | 17.45 | .687 |
| 0.13 | .005 | 1.02 | .040 | 14.27 | .562 |
| 0.03 | .001 | 0.64 | .025 | 12.70 | .500 |

CONVERSION TABLE

METRIC

THIS DRAWING IS A CONTROLLED DOCUMENT.

| | | | |
|------------------|-------------|---------|---|
| DWN | K. WHITAKER | 24MAR06 | Tyco Electronics Corporation Harrisburg, Pa 17105-3608 |
| CHK | C. JONES | 24MAR06 | |
| APVD | C. JONES | 24MAR06 | |
| PRODUCT SPEC | | | |
| APPLICATION SPEC | | | GROMMET,SPLIT,M.R. |
| MATERIAL | SEE TABLE | | RESTRICTED TO |
| FINISH | | | |
| WEIGHT | - | | SIZE |
| CUSTOMER DRAWING | | | CAGE CODE |
| | | | DRAWING NO |
| | | | RESTRICTED TO |
| | | | SCALE |
| | | | SHEET |
| | | | OF |
| | | | REV |
| | | | G |

380937