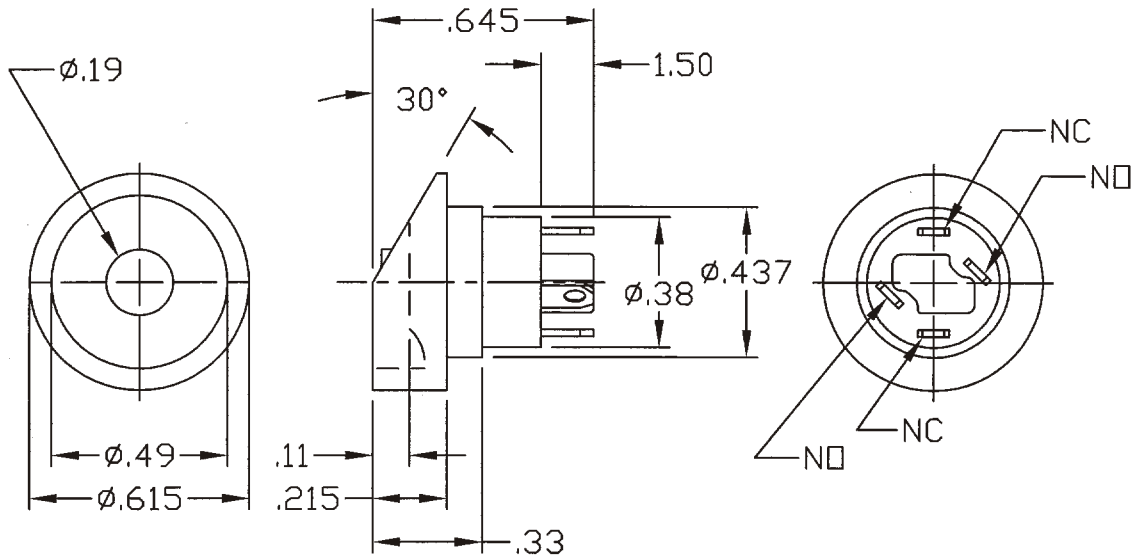


1. PART NUMBER AND CHARACTERISTICS



TE Part No	Rev	Terminal Style/ Construction Grade	Circuit Form	Contact Rating	Bezel Color	Button Color	Mfr Part No
986290-1	O	Solder/Commercial	NO	STD	Black	Green	P7-821125
986290-2	O	Solder/Commercial	NC	STD	Black	Red	P7-822121
986290-3	O	Solder/Commercial	2 Circuit	STD	Black	Yellow	P7-826124
986290-4	B	Solder/Commercial	2 Circuit	STD	Black	Blue	P7-826126

- 1.1. All dimensions are nominal unless otherwise specified
- 1.2. Electrical rating: 28 VDC or 115 VAC, 60/400 Hz
- 1.3. Operating temperature:  $-55^\circ$  to  $85^\circ\text{C}$
- 2. RECOMMENDED MANUFACTURER  
Otto Engineering, Inc.  
[www.ottoexcellence.com](http://www.ottoexcellence.com)  
or Tyco Electronics Engineering approved equivalent.

<b>COMMERCIAL ITEM SPECIFICATION</b>		MATERIAL							
		FINISH							
© 2009 Tyco Electronics Corporation, Harrisburg, PA All International Rights Reserved				DIMENSIONS IN INCHES	NO	<b>986290</b>	REV <b>B</b>	LOC <b>B</b>	DIST <b>31</b>
B	Add -4	JNB	18DEC09	SHEET 1 OF 1	<b>SWITCH, PUSHBUTTON, SEALED SUB-MINIATURE, SNAP-ACTION, MOMENTARY</b>				
REV	ENGINEERING CHANGE	CHK	DATE						