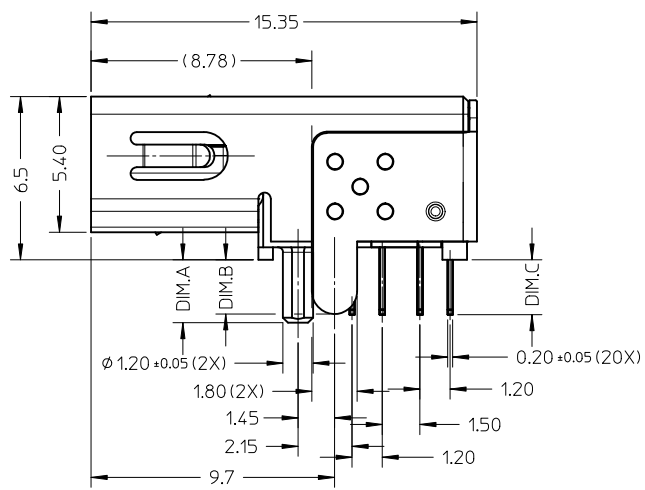
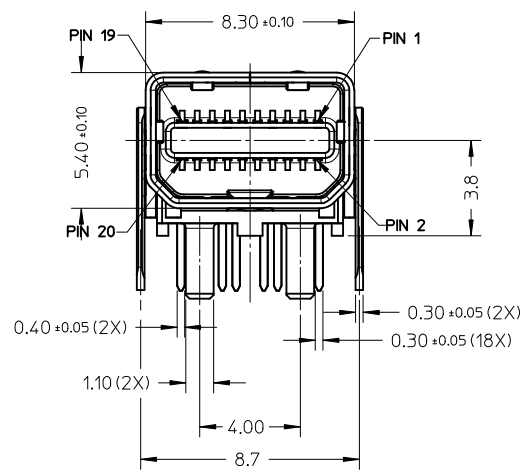


NOTES:

1. MATERIAL:
 - 1.1. PLASTIC: NYLON PA46, UL94V-2.
COLOR: BLACK. HALOGEN FREE.
 - 1.2. INSERT MOLDING: LCP, UL94V-0.
 - 1.3. TERMINAL: COPPER ALLOY.
 - 1.4. SHIELD SHELL: STAINLESS STEEL.
2. PLATING:
 - 2.1. TERMINAL:
 - 2.1.1. UNDERPLATING: NICKEL 1.30 MICROMETER MIN.
 - 2.1.2. CONTACT AREA: GOLD 0.76 MICROMETER MIN.
 - 2.1.3. SOLDER AREA: MATTE TIN 2.50 MICROMETER MIN.
 - 2.2. METAL SHELL:
 - SOLDERABLE NICKEL 1.30 MICROMETER MIN.
3. PRODUCT SPECIFICATION: PS-105081-001.
4. PACKAGING SPECIFICATION ACCORDING TO SPECIFIED P/N.
5. THIS PRODUCT COMPLIANT TO RoHS DIRECTIVE 2002/95/EC, AND ELV DIRECTIVE 2000/53/EC.
6. RECOMMENDED APPLIED PWB THICKNESS SEE TABLE.



| | | | | | | |
|-------------|-------|-------|-------|------------|---------|--------------------------------|
| 105081-3001 | 2.0 | 1.8 | 1.8 | 1.20±0.10 | WITHOUT | PK-105081-002 (TAPE & REEL) |
| 105081-2001 | 2.5 | 2.2 | 2.2 | 1.60±0.10 | | |
| 105081-1001 | 2.0 | 1.8 | 1.8 | 1.20±0.10 | | |
| 105081-0001 | 2.5 | 2.2 | 2.2 | 1.60±0.10 | WITH | PK-105081-001 (TRAY) |
| 105081-5001 | | | | | | |
| PART NUMBER | DIM.A | DIM.B | DIM.C | PWB THICK. | COVER | PACKAGING SPEC. |

REVISED
 EC NO: SH2010-0117
 2010/03/31
 DRW:KWEI
 2010/03/31
 CHK:DZHANG
 2010/08/11
 APPR:RZHANG

QUALITY SYMBOLS
 $F_A=0$
 $F_B=0$
 $F_C=0$

GENERAL TOLERANCES (UNLESS SPECIFIED)

| | | |
|----------------|--------|-------|
| | mm | INCH |
| 4 PLACES | ± --- | ± --- |
| 3 PLACES | ± --- | ± --- |
| 2 PLACES | ± 0.25 | ± --- |
| 1 PLACE | ± 0.30 | ± --- |
| ANGULAR ± ---° | | |

DRAFT WHERE APPLICABLE MUST REMAIN WITHIN DIMENSIONS

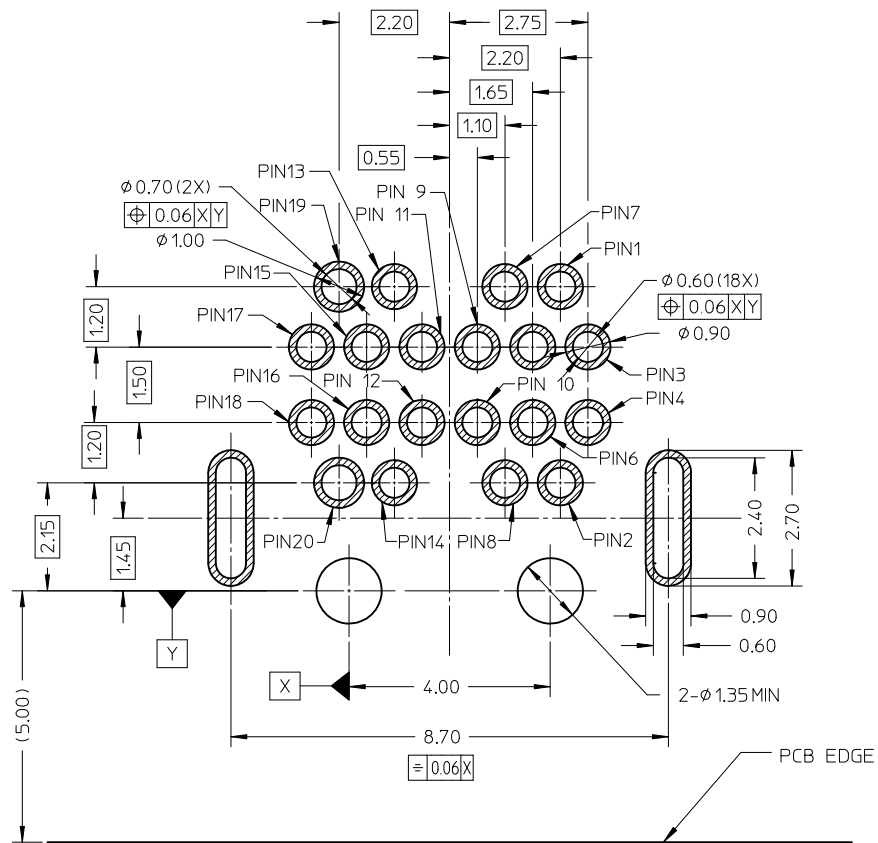
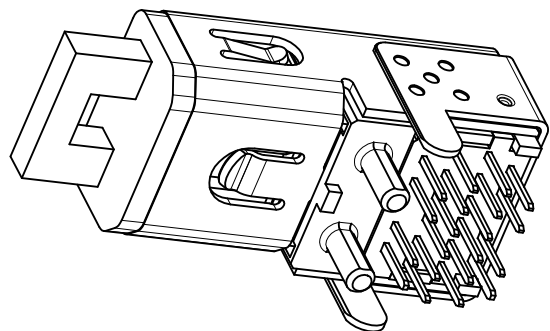
DIMENSION STYLE
MM ONLY

| | |
|-------------|------------|
| DRAWN BY | DATE |
| KLAUS WEI | 2008/10/06 |
| CHECKED BY | DATE |
| ROST ZHANG | 2008/10/06 |
| APPROVED BY | DATE |
| HARVEY WANG | 2008/10/06 |

MATERIAL NO.
105081-001

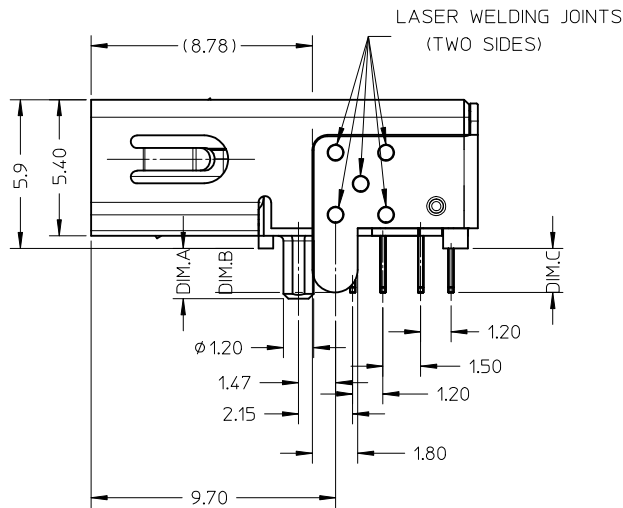
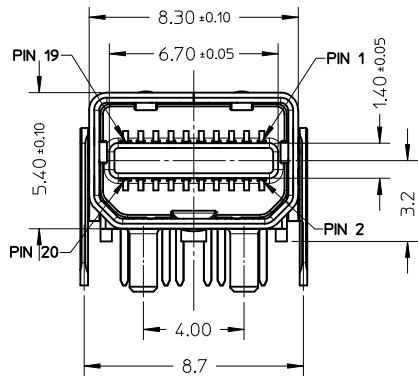
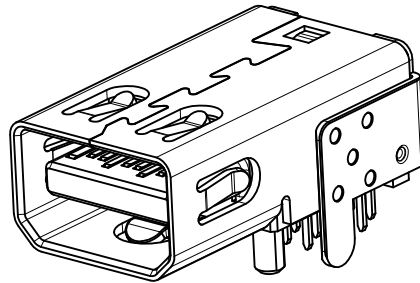
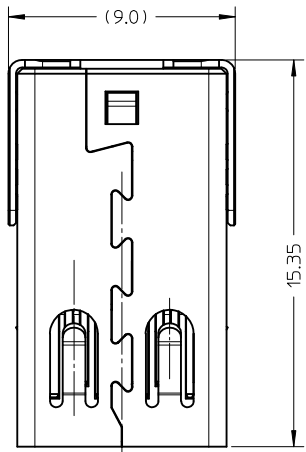
| | | |
|---|------------------------|--------------------------------------|
| SCALE 5:1 | DESIGN UNITS METRIC | THIRD ANGLE PROJECTION |
| TITLE CUSTOMER DRAWING FOR R/A MINI-DP RECEPT. | | |
| MOLEX INCORPORATED | | DOCUMENT NO. SD-105081-001 |
| THIS DRAWING CONTAINS INFORMATION THAT IS PROPRIETARY TO MOLEX INCORPORATED AND SHOULD NOT BE USED WITHOUT WRITTEN PERMISSION | | SHEET NO. 1 OF 2 |

| | 10 | 9 | 8 | 7 | 6 | 5 | 4 | 3 | 2 | 1 | |
|---|------------|-------------|---------------|------------|-------------|-----------------|---|---|---|---|--|
| | TOP ROW | | | BOTTOM ROW | | | | | | | |
| F | PIN NUMBER | SIGNAL TYPE | PIN NAME | PIN NUMBER | SIGNAL TYPE | PIN NAME | | | | | |
| | 1 | GND | GROUND | 2 | IN | HOT PLUG DETECT | | | | | |
| | 3 | OUT | ML_LANE 0 (p) | 4 | CONFIG | CONFIG 1 | | | | | |
| | 5 | OUT | ML_LANE 0 (n) | 6 | CONFIG | CONFIG 2 | | | | | |
| | 7 | GND | GROUND | 8 | GND | GROUND | | | | | |
| | 9 | OUT | ML_LANE 1 (p) | 10 | OUT | ML_LANE 3 (p) | | | | | |
| | 11 | OUT | ML_LANE 1 (n) | 12 | OUT | ML_LANE 3 (n) | | | | | |
| E | 13 | GND | GROUND | 14 | GND | GROUND | | | | | |
| | 15 | OUT | ML_LANE 2 (p) | 16 | I/O | AUX_CH (p) | | | | | |
| | 17 | OUT | ML_LANE 2 (n) | 18 | I/O | AUX_CH (n) | | | | | |
| | 19 | RTN | RETURN | 20 | POWER OUT | DP_POWER | | | | | |



RECOMMENDED PCB LAYOUT
DEFAULT TOLERANCE ±0.05

| | | | | | | | | |
|--|-----------------------|--|---------------------------------------|---|-------|--|------------------------|--|
| REVISED EC NO: SH2010-0117 DRW:KWEI 2010/03/31 CHK:RZHANG 2010/03/31 APP:RZHANG 2010/08/11 | DESCRIPTION REV | QUALITY SYMBOLS | GENERAL TOLERANCES (UNLESS SPECIFIED) | DIMENSION STYLE | SCALE | DESIGN UNITS | THIRD ANGLE PROJECTION | |
| | | | mm INCH | MM ONLY | 5:1 | METRIC | | |
| | | $F_{\sigma} = 0$ | 4 PLACES ± --- ± --- | DRAWN BY DATE | TITLE | CUSTOMER DRAWING FOR R/A MINI-DP RECEPT. | | |
| | | $F_{\sigma} = 0$ | 3 PLACES ± --- ± --- | KLAUS WEI 2008/10/06 | | | | |
| $F_{\sigma} = 0$ | 2 PLACES ± 0.05 ± --- | CHECKED BY DATE | MOLEX INCORPORATED | | | | | |
| $F_{\sigma} = 0$ | 1 PLACE ± 0.10 ± --- | ROST ZHANG 2008/10/06 | | | | | | |
| | | ANGULAR ± ---° | APPROVED BY DATE | SD-105081-001 | | | | |
| | | | HARVEY WANG 2008/10/06 | | | | | |
| | | | MATERIAL NO. | SHEET NO. | | | | |
| | | | 105081- \ast 001 | | | | 2 OF 2 | |
| | | DRAFT WHERE APPLICABLE MUST REMAIN WITHIN DIMENSIONS | SIZE | THIS DRAWING CONTAINS INFORMATION THAT IS PROPRIETARY TO MOLEX INCORPORATED AND SHOULD NOT BE USED WITHOUT WRITTEN PERMISSION | | | | |
| | | | A3 | | | | | |



NOTES:

1. MATERIAL:
 - 1.1. PLASTIC: NYLON PA46, UL94V-2, COLOR: BLACK, HALOGEN FREE.
 - 1.2. INSERT MOLDING: LCP, UL94V-0.
 - 1.3. TERMINAL: COPPER ALLOY.
 - 1.4. SHIELD SHELL: STAINLESS STEEL.
2. PLATING:
 - 2.1. TERMINAL:
 - 2.1.1. UNDERPLATING: NICKEL 1.30 MICROMETER MIN.
 - 2.1.2. CONTACT AREA: GOLD 0.38 MICROMETER MIN.
 - 2.1.3. SOLDER AREA: MATTE TIN 2.50 MICROMETER MIN.
 - 2.2. METAL SHELL: SOLDERABLE NICKEL 1.30 MICROMETER MIN.
3. PRODUCT SPECIFICATION: PS-105081-001.
4. PACKAGING SPECIFICATION ACCORDING TO SPECIFIED P/N.
5. THIS PRODUCT COMPLIANT TO RoHS DIRECTIVE 2002/95/EC, AND ELV DIRECTIVE 2000/53/EC.
6. RECOMMENDED APPLIED PWB THICKNESS SEE TABLE.

| | | | | | |
|-------------|-------|-------|-------|------------|-------------------------|
| 105081-4001 | 2.0 | 1.75 | 1.75 | 1.20±0.10 | PK-105081-002 (TRAY) |
| 105081-6001 | 2.5 | 2.18 | 2.18 | 1.60±0.10 | |
| PART NUMBER | DIM.A | DIM.B | DIM.C | PWB THICK. | PACKAGING SPEC. |

NEW PRODUCT
 EC NO: SH2011-0039
 DRW:KWEI
 CHKD:
 APPR:RZHANG
 2010/08/04
 2010/11/19

QUALITY SYMBOLS

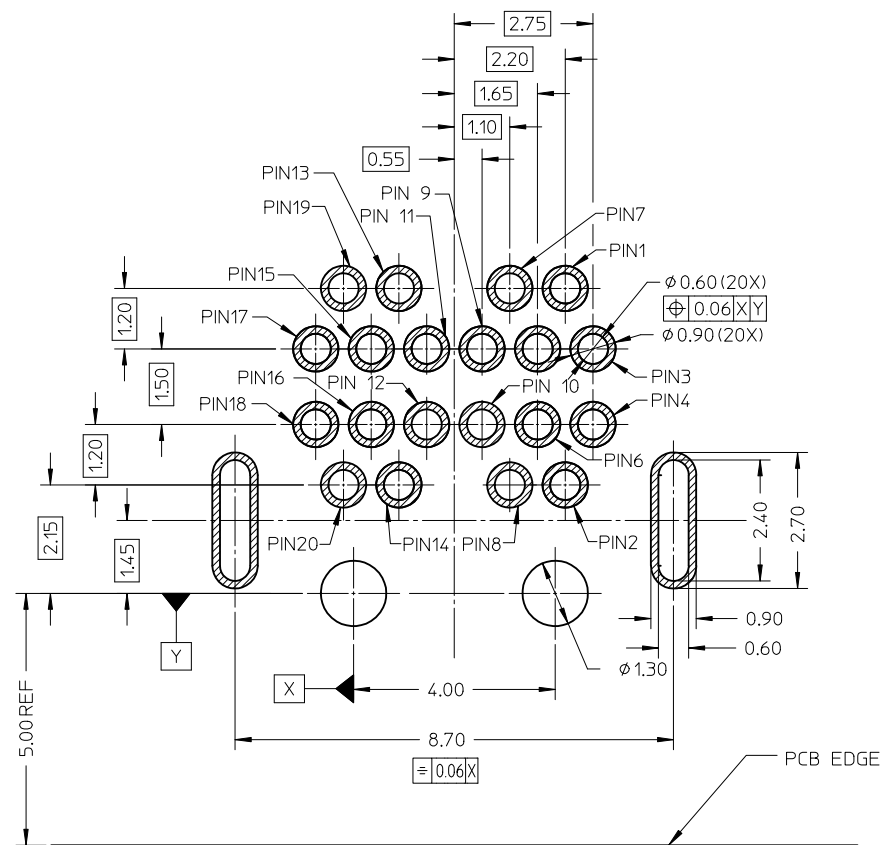
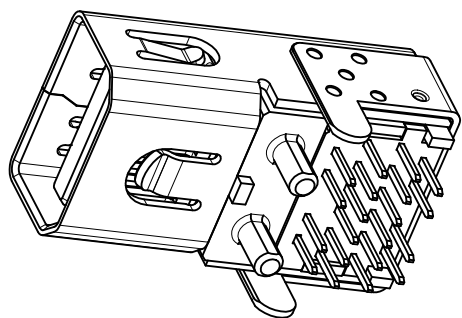
 DESCRIPTION
 REV

| GENERAL TOLERANCES (UNLESS SPECIFIED) | |
|--|--------------|
| | mm INCH |
| 4 PLACES | ± --- ± --- |
| 3 PLACES | ± --- ± --- |
| 2 PLACES | ± 0.25 ± --- |
| 1 PLACE | ± 0.30 ± --- |
| ANGULAR ± ---° | |
| DRAFT WHERE APPLICABLE MUST REMAIN WITHIN DIMENSIONS | |

| DIMENSION STYLE | |
|-----------------|------------|
| MM ONLY | |
| DRAWN BY | DATE |
| KLAUS WEI | 2008/10/06 |
| CHECKED BY | DATE |
| ROST ZHANG | 2008/10/06 |
| APPROVED BY | DATE |
| RZHANG | 2010/11/19 |
| MATERIAL NO. | |
| 105081-001 | |
| SIZE | |
| A3 | |

| | | |
|---|---------------|------------------------|
| SCALE | DESIGN UNITS | THIRD ANGLE PROJECTION |
| 5:1 | METRIC | |
| TITLE | | |
| CUSTOMER DRAWING FOR R/A MINI-DP RECEPT. LOWER HEIGHT | | |
| MOLEX INCORPORATED | | |
| MATERIAL NO. | DOCUMENT NO. | SHEET NO. |
| 105081-001 | SD-105081-002 | 1 OF 2 |
| THIS DRAWING CONTAINS INFORMATION THAT IS PROPRIETARY TO MOLEX INCORPORATED AND SHOULD NOT BE USED WITHOUT WRITTEN PERMISSION | | |

| TOP ROW | | | BOTTOM ROW | | |
|------------|-------------|---------------|------------|-------------|-----------------|
| PIN NUMBER | SIGNAL TYPE | PIN NAME | PIN NUMBER | SIGNAL TYPE | PIN NAME |
| 1 | GND | GROUND | 2 | IN | HOT PLUG DETECT |
| 3 | OUT | ML_LANE 0 (p) | 4 | CONFIG | CONFIG 1 |
| 5 | OUT | ML_LANE 0 (n) | 6 | CONFIG | CONFIG 2 |
| 7 | GND | GROUND | 8 | GND | GROUND |
| 9 | OUT | ML_LANE 1 (p) | 10 | OUT | ML_LANE 3 (p) |
| 11 | OUT | ML_LANE 1 (n) | 12 | OUT | ML_LANE 3 (n) |
| 13 | GND | GROUND | 14 | GND | GROUND |
| 15 | OUT | ML_LANE 2 (p) | 16 | I/O | AUX_CH (p) |
| 17 | OUT | ML_LANE 2 (n) | 18 | I/O | AUX_CH (n) |
| 19 | RTN | RETURN | 20 | POWER OUT | DP_POWER |



RECOMMENDED PCB LAYOUT
DEFAULT TOLERANCE ±0.05

| | | | | | | | |
|--|--------------------|--|--|---|--|---|------------------|
| NEW PRODUCT EC NO: SH2011-0039 DRW/K: CWEI CHK/D: RZHANG APPR: RZHANG 2010/08/04 2010/11/19 | DESCRIPTION REV | QUALITY SYMBOLS ▽=0 ◻=0 | GENERAL TOLERANCES (UNLESS SPECIFIED) mm INCH 4 PLACES ± --- ± --- 3 PLACES ± --- ± --- 2 PLACES ±0.05 ± --- 1 PLACE ±0.10 ± --- ANGULAR ± ---° | DIMENSION STYLE MM ONLY DRAWN BY: KLAUS WEI DATE: 2008/10/06 CHECKED BY: ROST ZHANG DATE: 2008/10/06 APPROVED BY: RZHANG DATE: 2010/11/19 | SCALE: 5:1 DESIGN UNITS: METRIC THIRD ANGLE PROJECTION | TITLE: CUSTOMER DRAWING FOR R/A MINI-DP RECEPT. LOWER HEIGHT MOLEX MOLEX INCORPORATED MATERIAL NO. 105081- *001 DOCUMENT NO. SD-105081-002 | SHEET NO. 2 OF 2 |
| | | DRAFT WHERE APPLICABLE MUST REMAIN WITHIN DIMENSIONS | SIZE: A3 THIS DRAWING CONTAINS INFORMATION THAT IS PROPRIETARY TO MOLEX INCORPORATED AND SHOULD NOT BE USED WITHOUT WRITTEN PERMISSION | | | | |
| | | | | | | | |
| | | | | | | | |