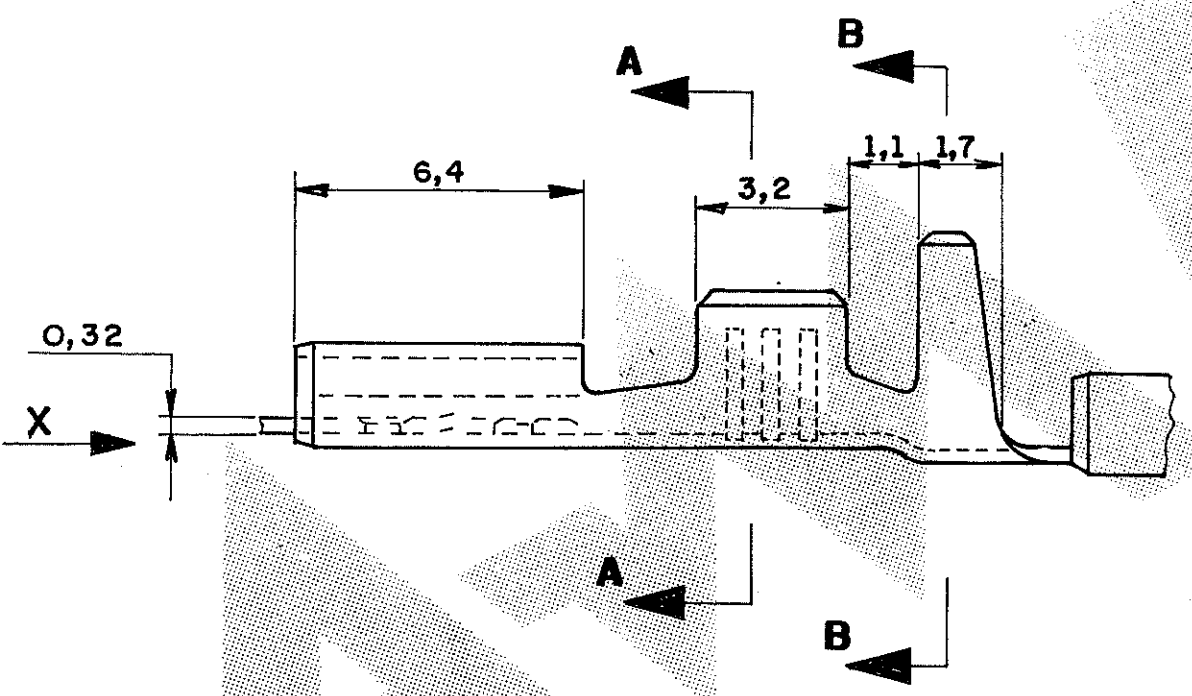
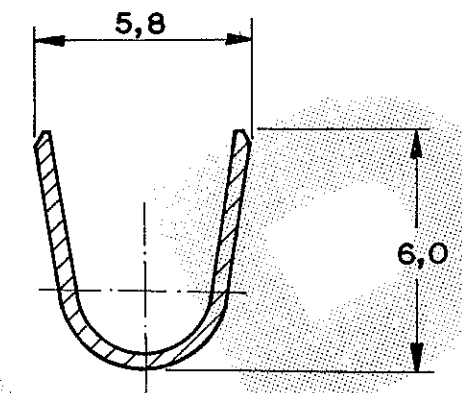
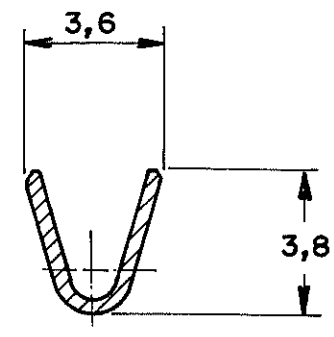
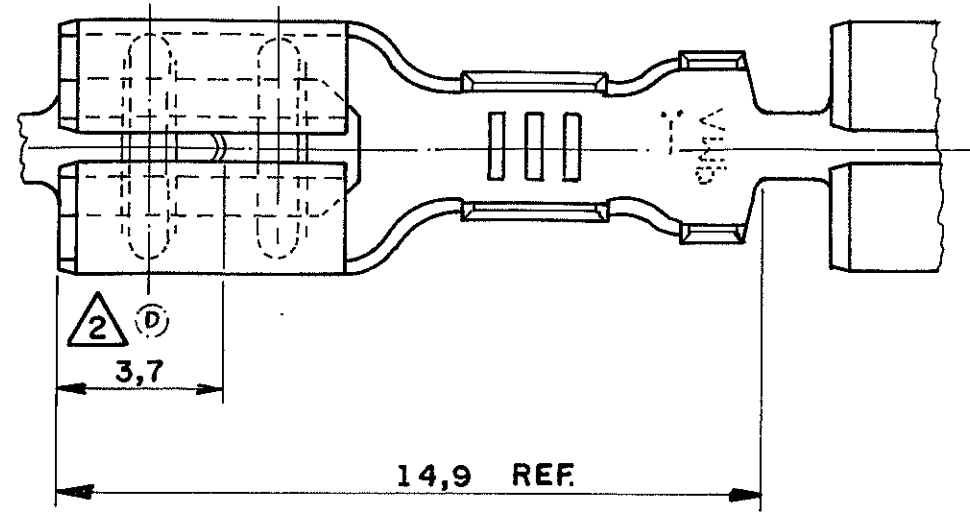
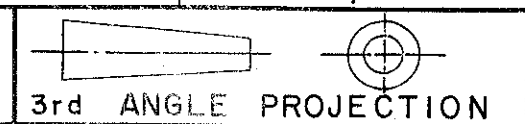


C 881624

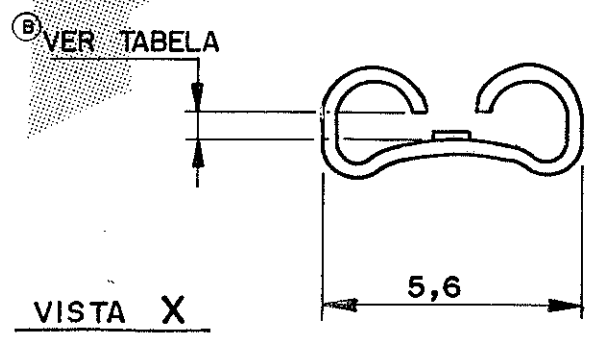
DO NOT SCALE
DIMENSIONS IN

METRIC



3
OBSOLETE

- ① - PEÇA SOLTA - VER DESENHO 444 202
- LOOSE PIECE - SEE DWG. 444 202.
- ② LOCALIZAÇÃO DO DIMPLE - 3,0 mm. PARA O PN- 881624-8.
DIMPLE LOCATION - 3,0mm. FOR PN-881624-8
- ③ OBSOLETE PARTS: OBSOLETE CIS STREAMLINING PER D.RENAUD/D.SINISI



0,8 mm	ESTANHADO	LATÃO	② ③	- 8
0,5 mm	ESTANHADO	LATÃO	① ③	- 7
OBSOLETO ③	ESTANHADO	LATÃO	① ③	- 6
OBSOLETO ③	ESTANHADO	LATÃO		- 5
	ESTANHADO	BRONZE FOSF.		- 4
	ESTANHADO	LATÃO	① ③	- 3
0,8 mm		LATÃO	① ③ 881624	- 2
② PARA LINGUETA		FINISH	MATERIAL	PART NUMBER

CUSTOMER DWG
for REFERENCE ONLY

THIS DRAWING IS UNPUBLISHED RELEASED FOR PUBLICATION 19
© COPYRIGHT 19 BY AMP DO BRASIL LTDA S.P. ALL INTERNATIONAL RIGHTS RESERVED AMP PRODUCTS MAY BE COVERED BY U.S. AND FOREIGN PATENTS AND/OR PATENTS PENDING.

TOLERANCES UNLESS OTHERWISE STATED DEC. ± 0,3 ANGLES ± 1°	INS. DIA. RANGE 2,7 - 4,0mm	WIRE RANGE 2 >1,0 - 2,5mm	SCALE //
---	--------------------------------	------------------------------	-------------

AMP AMP do BRASIL LTDA.
São Paulo,, Brasil

DESCRIPTION
.187 SERIES FASTON REC.

ISS	REVISION	RECORD	DR	CHK	DATE	APP.	A3	DWG NO C 881624	SHEET 1 OF 1
-----	----------	--------	----	-----	------	------	----	--------------------	-----------------