



Sealable cap for pushbutton, raised, 22 mm, front ring, raised, castellated, black

product brand name	SIRIUS ACT
product designation	Sealable cap
design of the product	for pushbuttons with extended stroke
product type designation	3SU1
General technical data	
protection class IP	IP66, IP67, IP69(IP69K)
degree of protection NEMA rating	1, 2, 3, 3R, 4, 4X, 12
Installation/ mounting/ dimensions	
height	39.2 mm
width	32.5 mm
depth	36.2 mm
Accessories	
material of accessory	Plastic
color of accessory	black
Certificates/ approvals	
General Product Approval	Declaration of Conformity



[Miscellaneous](#)

[Miscellaneous](#)

EG-Konf.

Test Certificates

Marine / Shipping

[Type Test Certificates/Test Report](#)



ABS



LRS



PRS



RINA



RMRS

other

[Confirmation](#)

Further information

Information- and Downloadcenter (Catalogs, Brochures,...)

<https://www.siemens.com/ic10>

Industry Mall (Online ordering system)

<https://mall.industry.siemens.com/mall/en/en/Catalog/product?mlfb=3SU1900-0EL10-0AA0>

Cax online generator

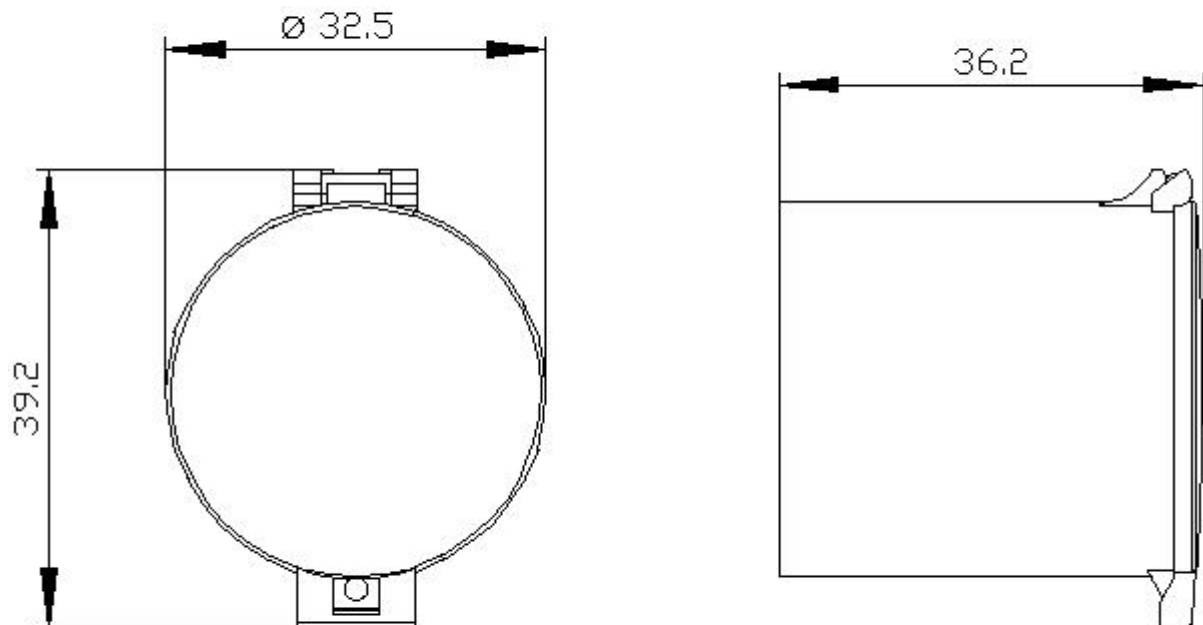
<http://support.automation.siemens.com/WW/CAXorder/default.aspx?lang=en&mlfb=3SU1900-0EL10-0AA0>

Service&Support (Manuals, Certificates, Characteristics, FAQs,...)

<https://support.industry.siemens.com/cs/ww/en/ps/3SU1900-0EL10-0AA0>

Image database (product images, 2D dimension drawings, 3D models, device circuit diagrams, EPLAN macros, ...)

http://www.automation.siemens.com/bilddb/cax_de.aspx?mlfb=3SU1900-0EL10-0AA0&lang=en



last modified:

11/7/2020 