

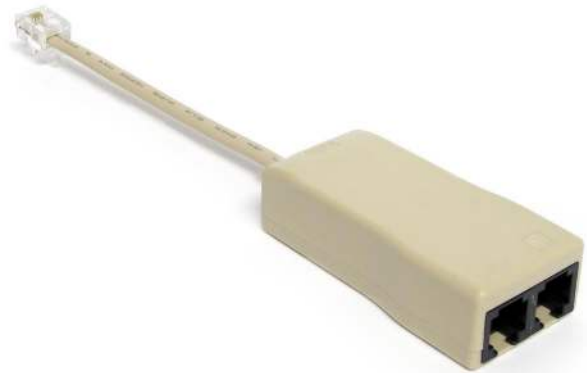
Description

The Z-D250P2J is a small, in-line customer premises equipment (CPE) filter designed to expedite the service delivery and improve the performance of digital subscriber line (DSL) and home phonenumber network (HPN) services over plain ordinary telephone service (POTS). The Z-D250P2J filters all telephones, facsimile (fax) machines, answering machines, and other telephone equipment. Its filter design electronically isolates the high-speed DSL and HPN data streams from the voice-band POTS to provide premium voice quality and optimal DSL and HPN data rates.

The Z-D250P2J filters both line 1 and line 2 at a two-line jack to reduce crosstalk that can occur between lines.

Features

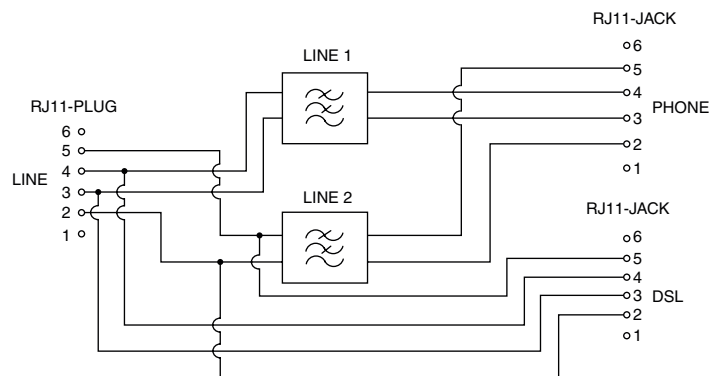
- Isolate telephone equipment impedances from the xDSL and HPN systems
- Blocks xDSL and HPN signals from voice-band equipment up to 30 Megahertz
- Filters both lines at a two-line jack
- Provides a convenient DSL/HPN jack for easy broadband access
- Compatible with all major xDSL standards including ADSL Full Rate (ITU-T G.992.1), ADSL G.Lite (ITU-T G.992.2), ADSL2 (ITU-T G.992.3 and .4), ADSL2+ (ITU-T G.992.5 in analog mode), ADSL2++, VDSL (ITU-T G.993.1), VDSL2; also V.90 and Metallic Loop Testing compatible
- Compliant and listed with UL / CSA 60950, FCC CFR 47 Part 68, and IC CS-03



Z-D250P2J xDSL/POTS CPE Dual In-Line Filter

Applications

The DSL user installs the Z-D250P2J in-line filter into each telephone line jack in the subscribers' premises that contains voice-band equipment devices, including corded/cordless telephones, answering machines, fax machines, 56Kb/s and lower rate modems, automatic dialers, recorder connectors and satellite television set-top boxes. The Z-D250P2J in-line filter is one of many filters manufactured by Excelsus for subscriber installed digital services within homes, offices, and hotels. Excelsus is the number one selling brand of DSL filters worldwide.



Z-D250P2J block schematic



Z-BLOCKER® Z-D250P2J xDSL/POTS CPE Dual In-Line Filter

Z-BLOCKER Z-D250P2J Filter Specifications

Capacitance to Ground	<0.2nF
DC Resistance	
Network port at 20mA	<20 Ω
Tip and Ring to Ground at ≤ 100 Vdc	>500 MΩ
Tip and Ring to Ground at ≥ 100 Vdc and ≤ 200 Vdc	>500 MΩ
Operating Current	5 to 90 mA
Operating Voltages	
Network tip to ring	0 to -100 Vdc
Network ringing signals at 30 to 115 Vrms	-100 to +100 Vdc
On-hook Voice Band Insertion Loss at 1004Hz	
With 1 filter	-0.5dB to 2.2dB
With 3 filters	-1.0dB to 6.5dB
With 5 filters	-1.0dB to 6.5dB
On- or Off-hook Envelope Delay 300 Hz - 2800 Hz	<250μs
Off-hook Voice Band Insertion Loss at 1004Hz	
With 1 filter	-0.5dB to 0.5dB
With 3 filters	-1.0dB to 1.0dB
With 5 filters	-1.0dB to 1.0dB
Off-hook Voice Band Insertion Loss Distortion	
With 1 filter, 200 to 3400 Hz	-1.0dB to 0.5dB
With 3 filters, 200 to 3400 Hz	-1.5dB to 2.5dB
With 5 filters, 200 to 3400 Hz	-1.5dB to 2.5dB
With 1 filter, 3.4 to 4 kHz	-1.5dB to 1.0dB
With 3 filters, 3.4 to 4 kHz	-2.0dB to 3.5dB
With 5 filters, 3.4 to 4 kHz	-2.0dB to 3.5dB
Off-hook impedance distortion (5 filters)	
Phone Port SRL Low	≥13 dB
“ ERL	≥6.5 dB
“ SRL High	≥1 dB
Network Port SRL Low	≥12 dB
“ ERL	≥10 dB
“ SRL High	≥5 dB
Inter-Modulation Distortion Second and Third order products	≥57 dB and ≥60 dB, respectively
Off-hook High Band Stopband Attenuation (1 filter)	
25 kHz to 50 kHz, between 20 and 90 mA	≥17 dB
50 kHz to 12 MHz, between 20 and 90 mA	≥25 dB
Bridging Loss	
With 1 filter, 25 kHz to 1.2 MHz	≤0.5 dB
With 5 filters, 25 kHz to 1.2 MHz	≤1.25 dB
With 1 filter, 1.2 to 12 MHz	≤3.0 dB
With 5 filters, 1.2 to 12 MHz	≤4.0 dB
Connectors: One RJ11 jack each for DSL Modem and Phone connection, and one RJ11 plug on a 4” cord for Line connection	
Dimensions: Length = 2.59in (65.9mm), Width = 1.21in (30.8mm), Height = 0.729in (18.5mm)	
Compliant and listed with UL / CSA 60950, FCC CFR 47 Part 68, and IC CS-03.	



12220 World Trade Drive, San Diego, CA 92128 USA
Direct: 858 674 8100, Fax: 858-385-8003
www.excelsus-tech.com