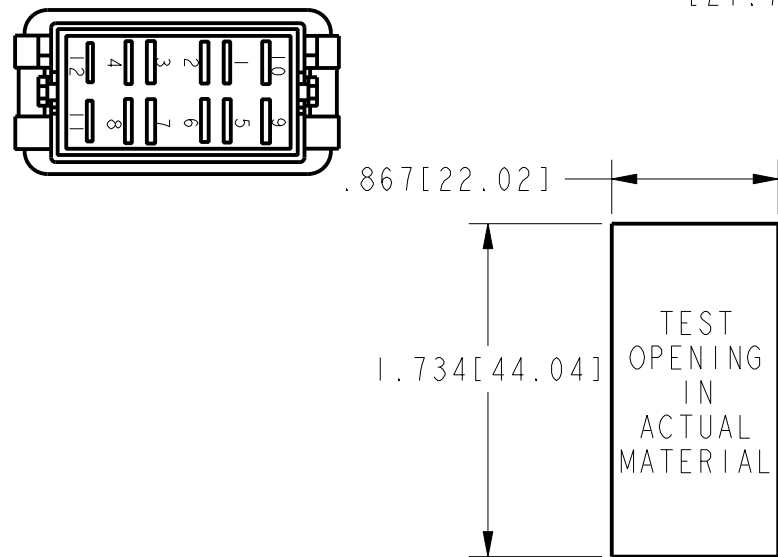
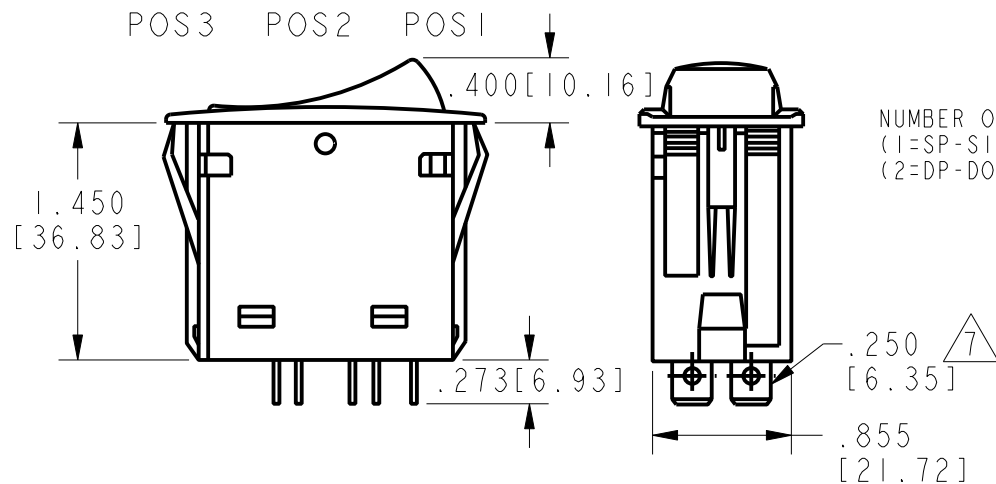
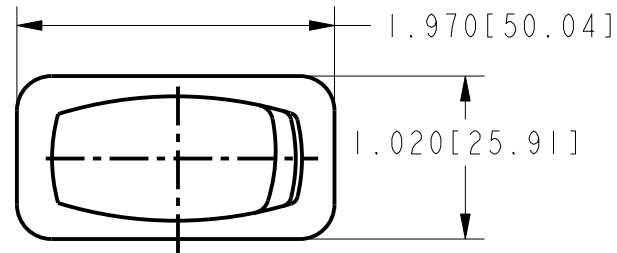


HONEYWELL
PART NUMBER
4

REV	DOCUMENT	CHANGED BY	CHECK
A	0016296	LKM 24OCT05	VA



ACTUATOR COLOR (B=BLACK, G=GRAY, R=RED, W=WHITE)

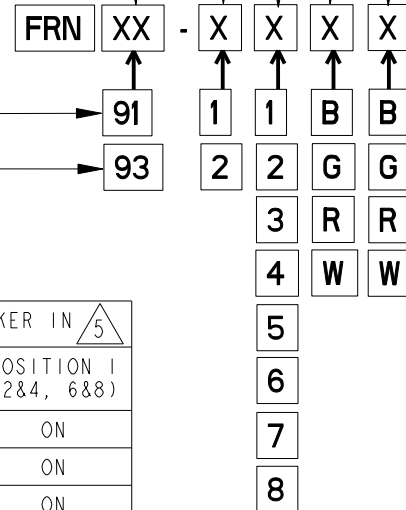
CIRCUITRY (SEE TABLE)

BASE/BEZEL COLOR (B=BLACK, G=GRAY, R=RED, W=WHITE)

NUMBER OF POLES
(1=SP-SINGLE POLE, USES TERMINAL 1-2-4)
(2=DP-DOUBLE POLE, USES TERMINALS 1-2-4 AND 5-6-8)

TERMINAL STYLE 7

.250 [6.35] WIDE QUICK CONNECT TABS 7
.187 [4.76] WIDE QUICK CONNECT TABS 7



	CIRCUIT MADE WITH ROCKER IN 5		
	POSITION 3 (1&2, 5&6)	POSITION 2	POSITION 1 (2&4, 6&8)
1	ON	OFF	ON
2	OFF	NONE	ON
3	ON	NONE	ON
4	(OFF)	NONE	ON
5	(ON)	OFF	ON
6	OFF	NONE	(ON)
7	(ON)	OFF	(ON)
8	(ON)	NONE	ON

ELECTRICAL RATING & APPROVALS 7	
FOR .250 WIDE TABS: 20A, 12V	
FOR .187 WIDE TABS: 15A, 12V	

NOTES

- 1 - OPERATING TEMPERATURE RANGE: -40°F TO +185°F (-40°C TO +85°C)
- 2 - ELECTRICAL LIFE: 50,000 CYCLES MOMENTARY, 100,000 CYCLES MAINTAINED.
- 3 - MECHANICAL LIFE: 250,000 CYCLES MIN
- 4 - SEE DIAGRAM FOR CATALOGING SCHEME
- 5 - PARENTHESIS DENOTE MOMENTARY ACTION
- 6 - SEALED TO IP67
- 7 - TERMINAL WIDTH AND ELECTRICAL RATING DEPENDENT ON STYLE SELECTED

SWITCH MOUNTING HOLE

DESIGN UNITS: INCH	DRAWN	CR	13 JUN 05
TOLERANCES UNLESS NOTED:	CHECK	RJ	13 JUN 05
NO PLACE X ± 0.040	THIS DRAWING COVERS A PROPRIETARY ITEM AND IS THE PROPERTY OF HONEYWELL. THIS DRAWING IS NOT TO BE COPIED OR USED WITHOUT THE PERMISSION OF HONEYWELL.		
ONE PLACE .X ± 0.030			
TWO PLACE .XX ± 0.015			
THREE PLACE .XXX ± 0.015			
FOUR PLACE .XXXX ± 0.005			
ANGLES X ± 2	INTERPRET PER ASME Y14.5M-1994 OTHER HONEYWELL ENGINEERING STANDARDS MAY APPLY		
THIRD ANGLE PROJECTION			

DRAWN		CR	13 JUN 05
CHECK		RJ	13 JUN 05
Pro/ENGINEER 2D			

Honeywell			
TITLE SWITCH, ROCKER			
SIZE	TYPE	DRAWING NAME	REV
B	I	FRN SERIES CHART 1	A
SCALE	NTS	SHEET	1 OF 1