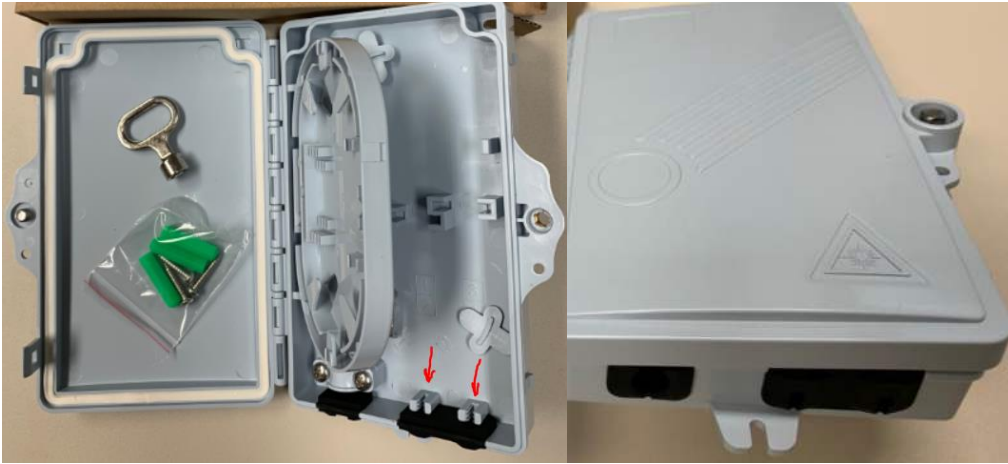




General Description FBR-11604



2 core fiber optic distribution box (termination box Suitable for SC and LC duplex adaptor and pigtail)



This box is used as a termination point for the feeder cable to connect with drop cable in FTTx communication network system.

It integrates fiber splicing, splitting, distribution, storage and cable connection in one unit. Meanwhile, it provides solid protection and

Management for the FTTx network building.

Features

- ◆ clamping for feeder cable and drop cable, fiber splicing, fixation, storage, distribution...etc. all in one
- ◆ Suitable for SC and LC duplex adaptor and pigtail



- ◆ Easy to operate
- ◆ Total enclosed structure
- ◆ Protects and manages cable effectively
- ◆ Secured with anti-theft locking mechanism
- ◆ Standard size, light weight
- ◆ High quality PC +ABS material
- ◆ Suitable for indoor use
- ◆ Good properties of dust, and moisture proofing
- ◆ IP65 Application
- Telecommunication subscriber loop
- Fiber to the home (FTTH)
- LAN/WAN

Technical Data

Work Temperature -40 °C ~+85 °C

Relative Humidity ≤ 85% (+30 °C)

Atmospheric Pressure 70Kpa~106Kpa

Insert Loss ≤ 0.2dB

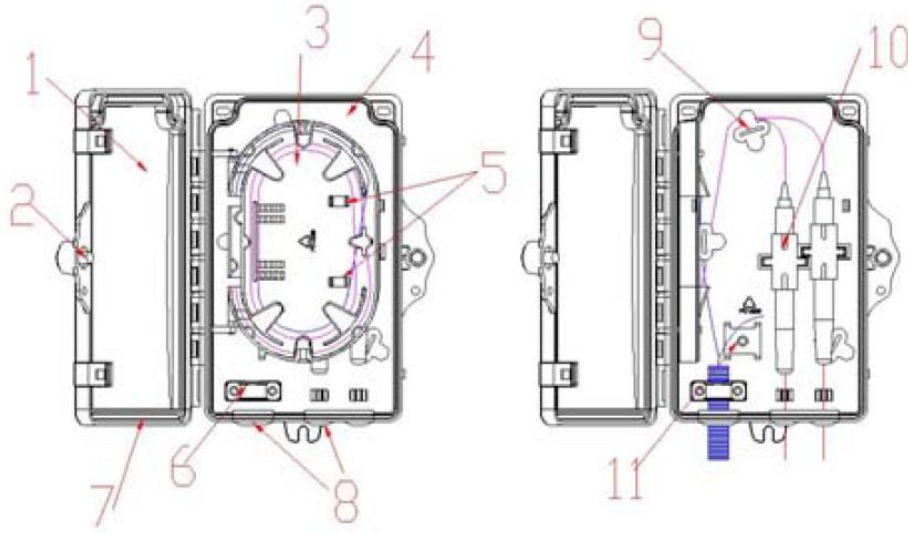
UPC Return Loss ≥ 50dB

APC Return Loss ≥ 60dB

Insert and Pull out Life ≥ 1000 times

Insulation

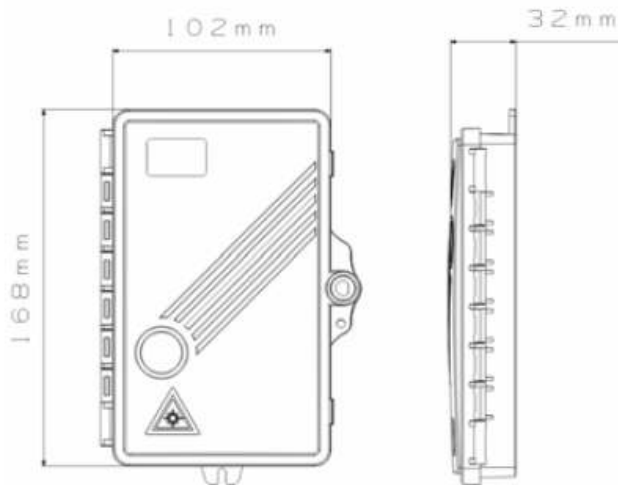
The grounding device is insulated with the Termination box, IR ≥1000m Ω/500V (direct current)
Between the grounding device and the box body, the withstand voltage is over 3000V/Min, no
Withstand Voltage breakdown and flashover. U ≥3000V (direct current)



1.Lid; 2.Lock; 3.Splicing flap plate; 4.base; 5.PLC Mounting position; 6. Main cable mound layer; 7.Seal gasket; 8.Water-proof sleeve; 9.Drop cable clip; 10.Adaptor; 11. Main cable strengthen mound layer

Dimensions

168x102x32mm



Installation Dimensions

160mmx80mm

