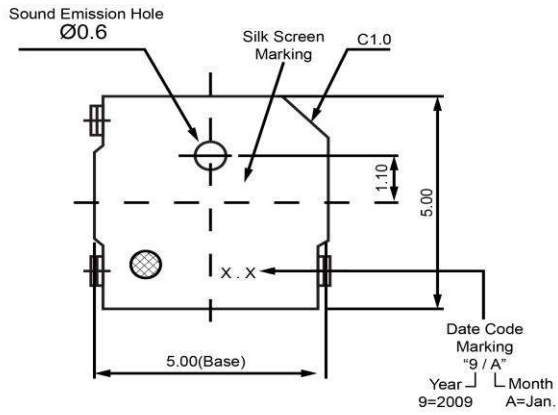
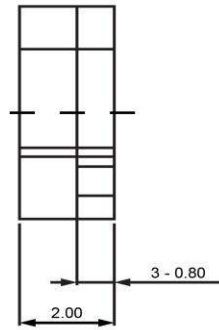


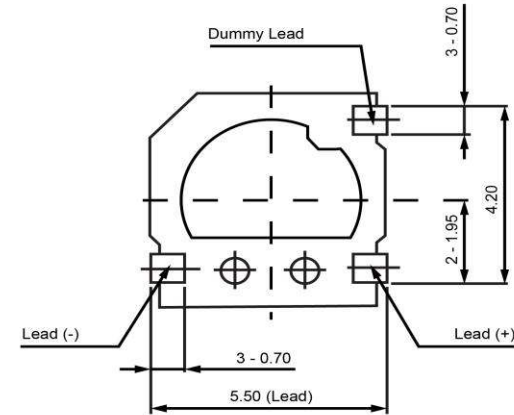
TOP VIEW



SIDE VIEW



BOTTOM VIEW



Specifications		
Description	Value	Unit
Technology	Electro-Mechanical	
Resonant Frequency	4,000	(Hz)
Rated Voltage	3	(V)
SPL @ 10cm	78	(dBA)
Coil Resistance	12	(ohm)
Mount Type	Surface Mount	
Voltage Range	2 ~ 4	(V)
Max Rated Current	100	(mA)
Housing Material	LCP	
Operating Temperature	-30 ~ +70	°C
Storage Temperature	-30 ~ +70	°C
Weight	0.12	(g)

Notes	
1) All dimensions are in mm unless otherwise noted	
2) All parts meet RoHS	



Revision History					
Version	Description	Date	Approved		
1	Released from Engineering	10/21/2013	J.S		
Drawn by	Date	Checked by	Date	Approved by	Date
A.B.	10/21/2013	C.E.	10/21/2013	J.S	10/21/2013

Electro-Mechanical Transducer

TE054003-1

Additional considerations can be found at www.dbunlimitedco.com/technical-articles.