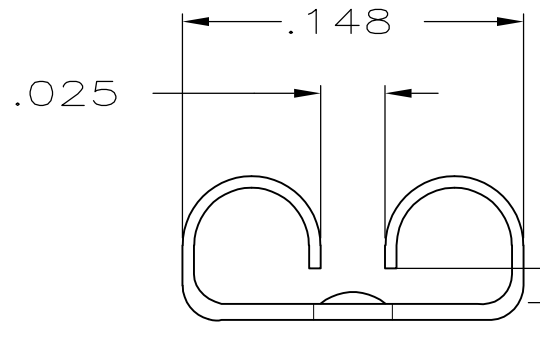
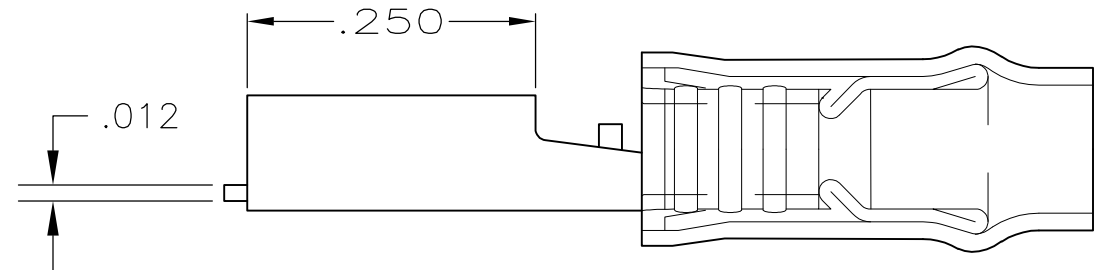
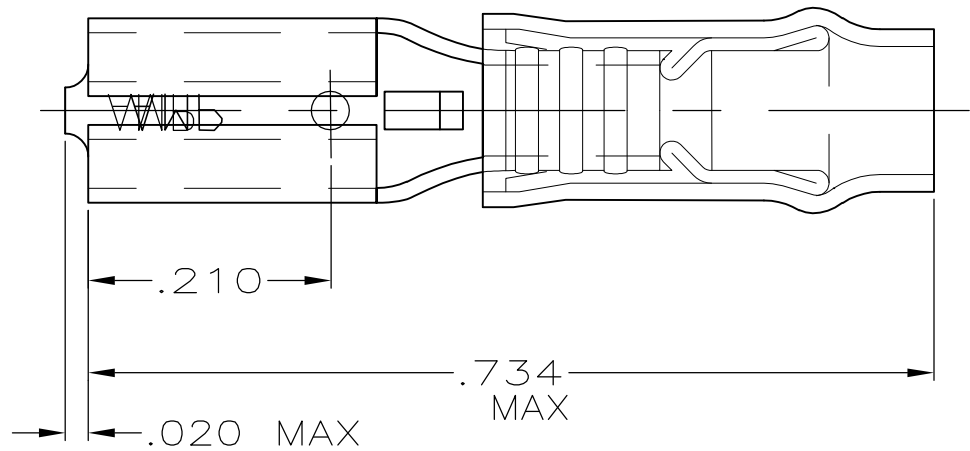


THIS DRAWING IS UNPUBLISHED. RELEASED FOR PUBLICATION
 © COPYRIGHT - By - ALL RIGHTS RESERVED.

LOC	DIST	REVISIONS					
		P	LTR	DESCRIPTION	DATE	DWN	APVD
G	14		N2	REVISED PER ECO-11-004917	11MAR11	RK	HMR

AMP
WIRE RANGE

22-18 AWG
STRANDED



FITS "110" SERIES FASTON TAB

1. WIRE INSULATION DIA .100 MAX

2. FITS TAB THK .020±.001

△3 SUPERSEDED BY 61060-1

△4 SUPERSEDED BY 8-61060-1

△5 MATERIAL & FINISH:
 BODY - BRASS - PRE TIN PLATE
 SLEEVE - NYLON, COLOR-SEE TABLE

INSULATION COLOR	QTY	PACKAGE TYPE	PART NO
△4 TRANSPARENT	50	LOOSE PIECE, BAG	8-61060-5
△4 TRANSPARENT	5	LOOSE PIECE, BLS	8-61060-4
TRANSPARENT	100	LOOSE PIECE, BOX	8-61060-1
△3 BLACK	-	LOOSE PIECE	61060-3
TRANSPARENT	5000	ON TAPE	61060-2
TRANSPARENT	1000	LOOSE PIECE	61060-1

AMP INCORPORATED CUSTOMER SERVICE SYSTEMS		MAX RECOMMENDED OPERATING TEMPERATURE: 105°C [221°F]	THIS DRAWING IS A CONTROLLED DOCUMENT.		DWN L OLMEDA 13NOV95 CHK M ELLIS 13NOV95 APVD B BARE 13NOV95	TE Connectivity		
FOR ADDITIONAL PRODUCT INFORMATION OR COPIES OF DRAWINGS AND TECHNICAL DOCUMENTS PRODUCT INFORMATION CENTER 1-800-522-6752	FOR APPLICATION TOOLING ASSISTANCE CENTER TOOLING INFORMATION 1-800-722-1111	VOLTAGE RATING: 300V MAX	DIMENSIONS: INCHES	TOLERANCES UNLESS OTHERWISE SPECIFIED: 0 PLC ± - 1 PLC ± - 2 PLC ± .015 3 PLC ± - 4 PLC ± - ANGLES ± -	PRODUCT SPEC - APPLICATION SPEC - WEIGHT -	RECEPTACLE, 110 SERIES, FASTON , PIDG , WIRE SIZE: 22-18		
FOR ORDER ENTRY 1-800-526-5142	THIS DRAWING IS A CONTROLLED DOCUMENT FOR AMP INCORPORATED. IT IS SUBJECT TO CHANGE AND THE CONTROLLING ENGINEERING ORGANIZATION SHOULD BE CONTACTED FOR THE LATEST REVISION.	CIRCULAR MIL AREA: 0.26-1.65mm² [509-3260] STRANDED	MATERIAL △5	FINISH △5	SIZE A3 CAGE CODE 00779 DRAWING NO C-61060	RESTRICTED TO -	CUSTOMER DRAWING	SCALE 1:1 SHEET 1 OF 1 REV N2