



Terminals & Splices > Quick Disconnects



Quick Disconnect Terminal Type: **Tab**

Wire Size: **.32 – .51 mm<sup>2</sup>**

Mating Tab Width: **6.35 mm [.25 in]**

Mating Tab Thickness: **.81 mm [.032 in]**

## Features

### Configuration Features

Connection Capacity	Single
Compatible With Wire & Cable Type	Discrete Wire

### Contact Features

Quick Disconnect Terminal Type	Tab
Mating Tab Width	6.35 mm [.25 in]
Mating Tab Thickness	.81 mm [.032 in]
Terminal Orientation	Straight
Contact Base Material	Brass
Terminal Plating Material	Unplated
Crimp Type	F-Crimp
Barrel Type	Open

### Termination Features

Product Terminates To	Wire & Cable
-----------------------	--------------

### Mechanical Attachment

--	--



Wire Insulation Support	With
Mating Retention Type	Dimple

### Dimensions

Terminal Material Thickness	.4 mm[.015 in]
Product Length	26.4 mm[1.039 in]
Compatible Insulation Diameter Range	1.5 – 2.2 mm[.059 – .087 in]
Wire Size	.32 – .51 mm <sup>2</sup>

### Usage Conditions

Insulation Option	Uninsulated
Operating Temperature Range	-40 – 110 °C[-40 – 230 °F]

### Packaging Features

Packaging Quantity	6000
Packaging Method	Strip/Reel

## Product Compliance

[For compliance documentation, visit the product page on TE.com>](#)

EU RoHS Directive 2011/65/EU	Compliant
EU ELV Directive 2000/53/EC	Compliant
China RoHS 2 Directive MIIT Order No 32, 2016	No Restricted Materials Above Threshold
EU REACH Regulation (EC) No. 1907/2006	Current ECHA Candidate List: JUNE 2023 (235) Candidate List Declared Against: JAN 2023 (233) Does not contain REACH SVHC
Halogen Content	Low Halogen - Br, Cl, F, I < 900 ppm per homogenous material. Also BFR/CFR/PVC Free
Solder Process Capability	Not applicable for solder process capability

#### Product Compliance Disclaimer

This information is provided based on reasonable inquiry of our suppliers and represents our current actual knowledge based on the information they provided. This information is subject to change. The part numbers that TE has identified as EU RoHS compliant have a maximum concentration of 0.1% by weight in homogenous materials for lead, hexavalent chromium, mercury, PBB, PBDE, DBP, BBP, DEHP, DIBP, and 0.01% for cadmium, or qualify for an exemption to these limits as defined in the Annexes of Directive 2011/65/EU (RoHS2). Finished electrical and electronic equipment products will be CE marked as required by Directive 2011/65/EU. Components may not be CE marked. Additionally, the part numbers that TE has identified as EU ELV compliant have a maximum concentration of 0.1% by weight in homogenous materials for lead, hexavalent chromium, and mercury, and 0.01% for cadmium, or qualify for an exemption to these limits as defined in the Annexes of Directive 2000/53/EC (ELV). Regarding the REACH Regulation, the information TE provides on SVHC in articles for this part number is based on the latest European Chemicals Agency (ECHA) 'Guidance on

requirements for substances in articles' posted at this URL: <https://echa.europa.eu/guidance-documents/guidance-on-reach>

## Compatible Parts



TE Part # 480004-5  
FF 250 TAB HSG 6P NYLON NAT



TE Part # 163008  
FF 250 TAB HSG 8P NYLON CLEAR



TE Part # 171897-1  
FF 250 REC HSG 6P NYLON NAT



TE Part # 172137-1  
FF 250 REC HSG 10P NYLON NAT



TE Part # 180906  
FF 250 TAB HSG 6P NYLON NAT



TE Part # 180901  
FF 250 TAB HSG 4P NYLON NAT



TE Part # 172133-1  
FF 250 REC HSG 4P NYLON NAT



TE Part # 180940  
FF 250 TAB HSG 3P NYLON NAT



TE Part # 180908  
FF 250 TAB HSG 2P NYLON NAT



TE Part # 172135-1  
FF 250 REC HSG 8P NYLON NAT



TE Part # 172129-1  
FF 250 PLUG HSG 2P NYLON NAT



TE Part # 180924  
FF 250 TAB HSG 2P NYLON NAT



TE Part # 926097-1  
FF 250 TAB HSG 3P NYLON NAT



TE Part # 180908-5  
FF 250 TAB HSG 2P NYLON BLACK



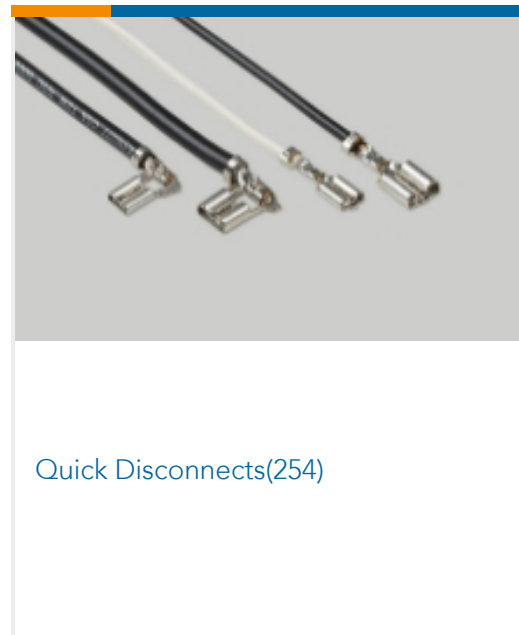
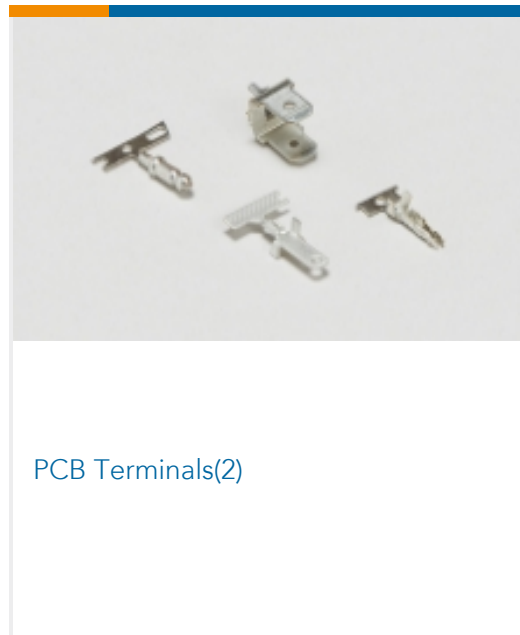
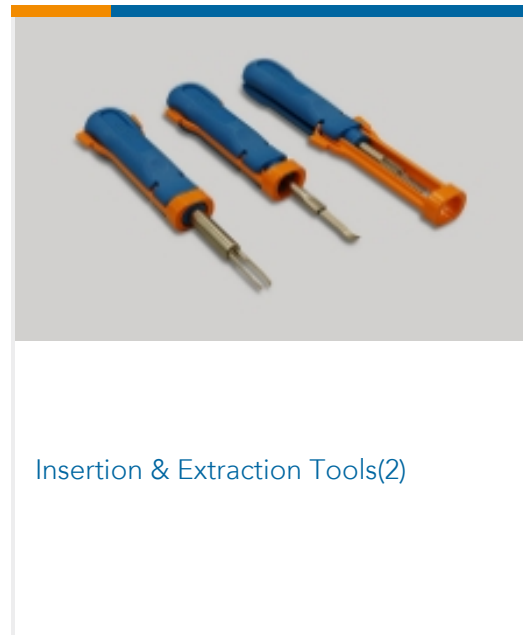
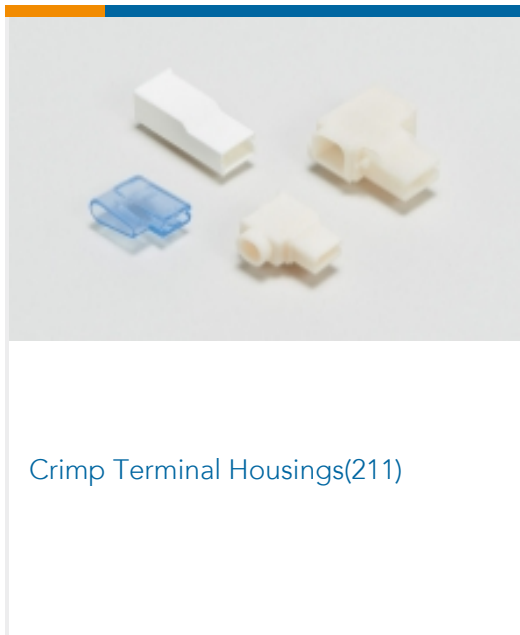
TE Part # 172383-1  
FF 250 REC HSG 2P NYLON NAT P/M



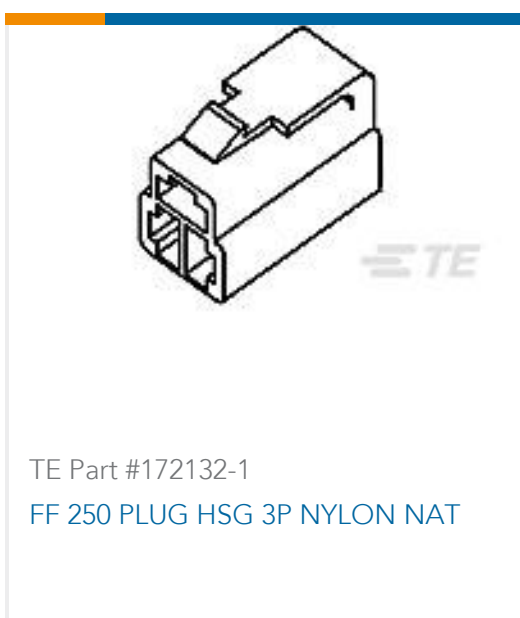
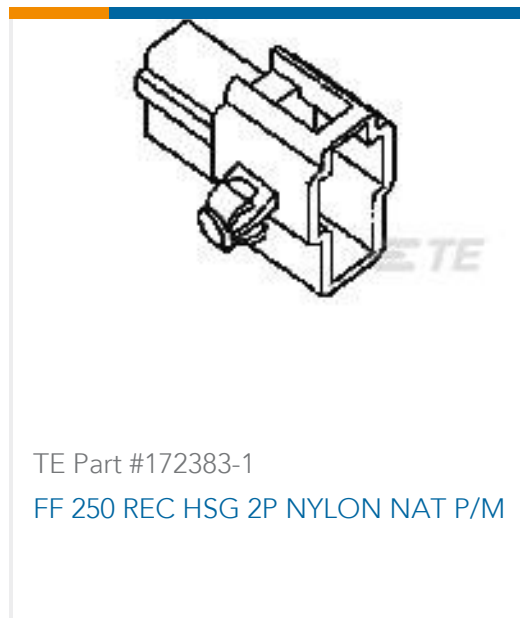
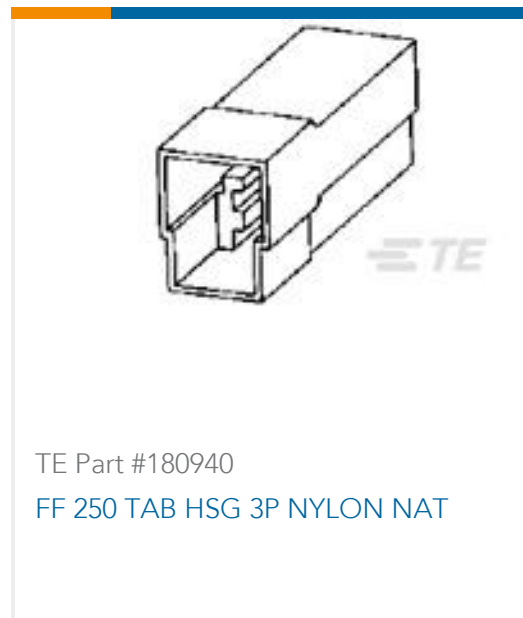
TE Part # 1-180908-0  
FF 250 TAB HSG 2P NYLON NAT



Also in the Series | **FASTIN-FASTON 250**



Customers Also Bought



Documents

Product Drawings

FF 250 TAB 22-20AWG BR WITHOUT LATCH

Japanese

CAD Files

3D PDF

3D



**Customer View Model**

[ENG\\_CVM\\_CVM\\_170349-1\\_D.2d\\_dxf.zip](#)

English

**Customer View Model**

[ENG\\_CVM\\_CVM\\_170349-1\\_D.3d\\_igs.zip](#)

English

**Customer View Model**

[ENG\\_CVM\\_CVM\\_170349-1\\_D.3d\\_stp.zip](#)

English

By downloading the CAD file I accept and agree to the [Terms and Conditions](#) of use.

---

**Product Specifications**

[Crimping of 250 Series Tab and Receptacle Contacts](#)

Japanese

[Application Specification](#)

Japanese

[Application Specification](#)

Japanese

[Crimping of 250 Series Tab and Receptacle Contacts](#)

Japanese

---

**Product Environmental Compliance**

[Product Compliance](#)

English

[Product Compliance](#)

English

---

**Instruction Sheets**

[Customer Manual \(non U.S.\)](#)

Japanese

["250" Series, Housing Lance Connector](#)

Japanese