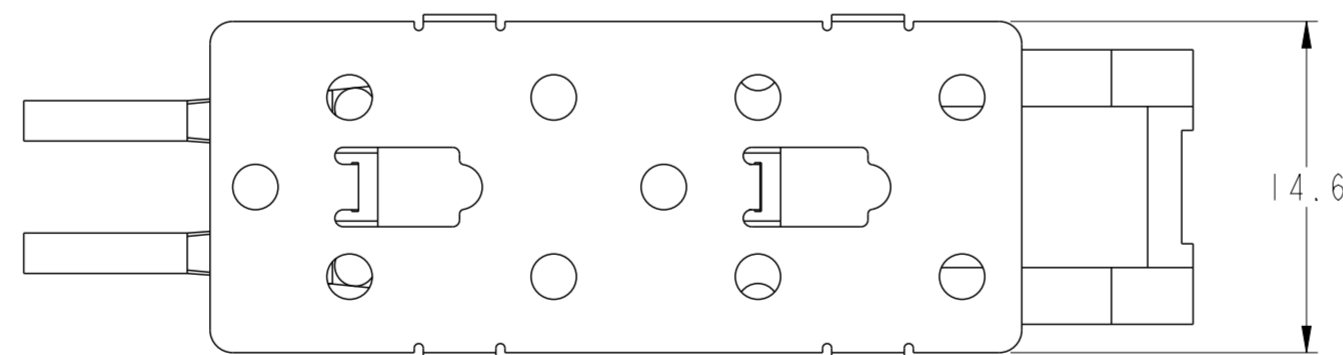
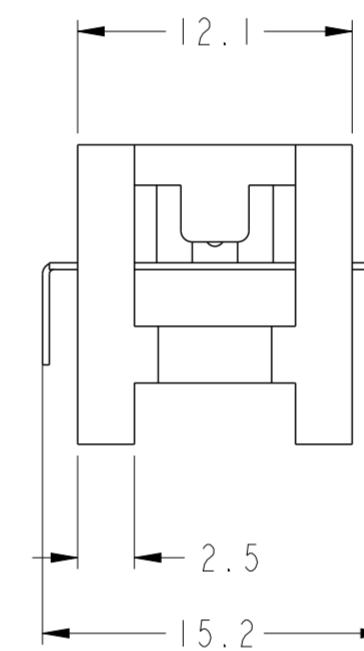
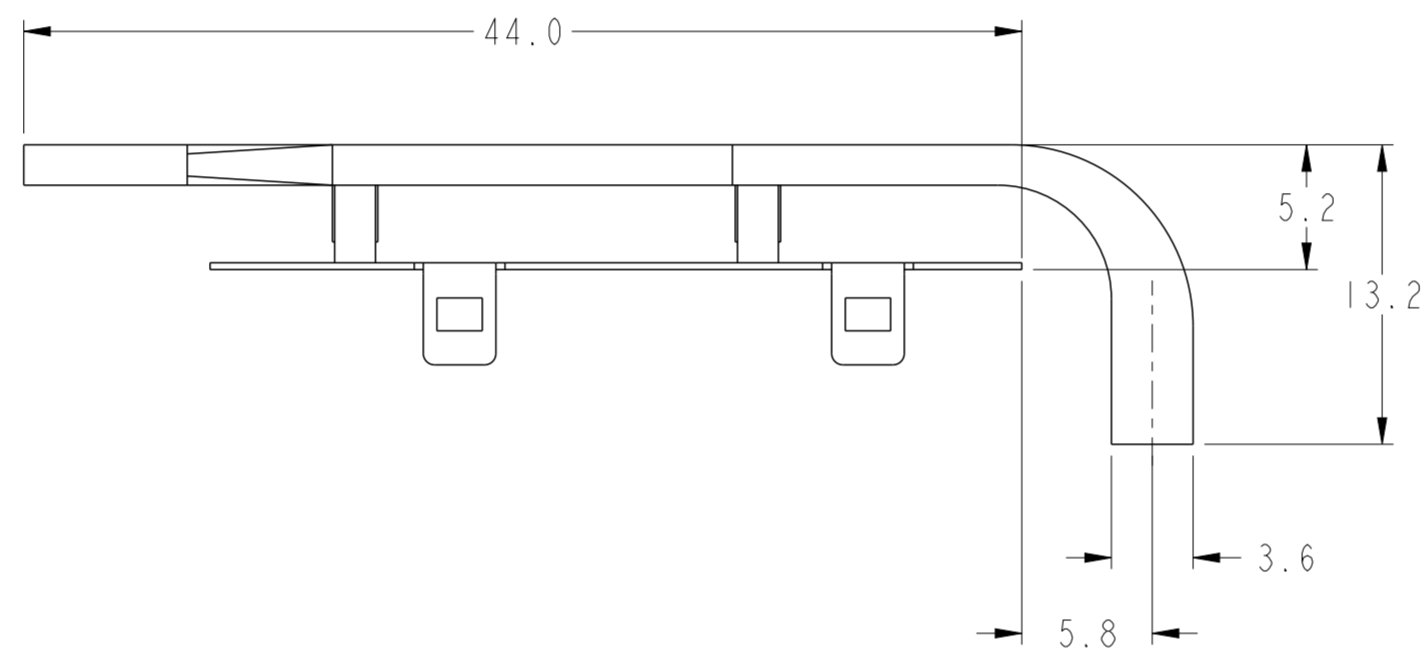
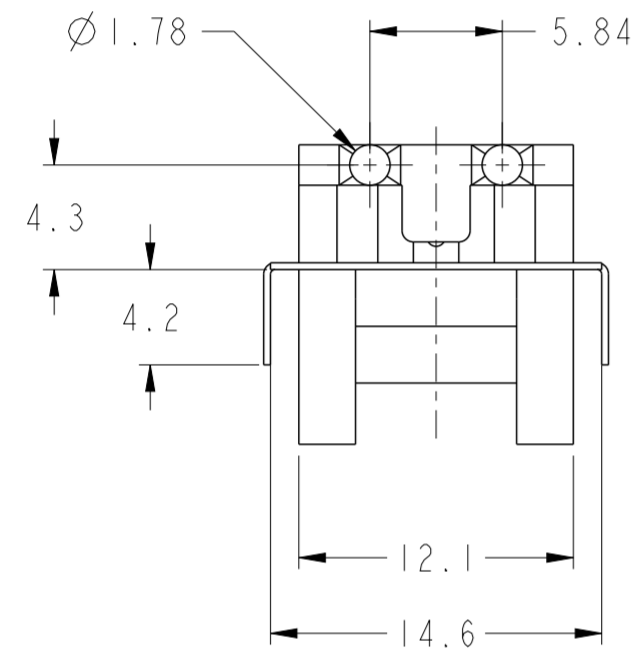
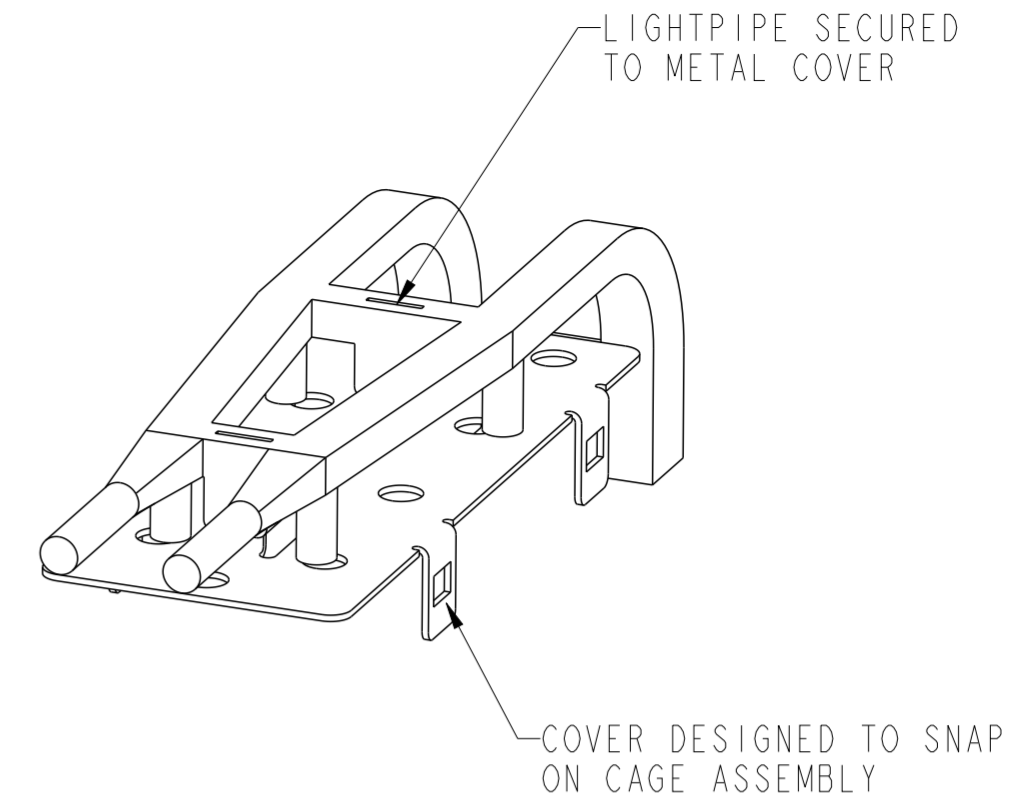
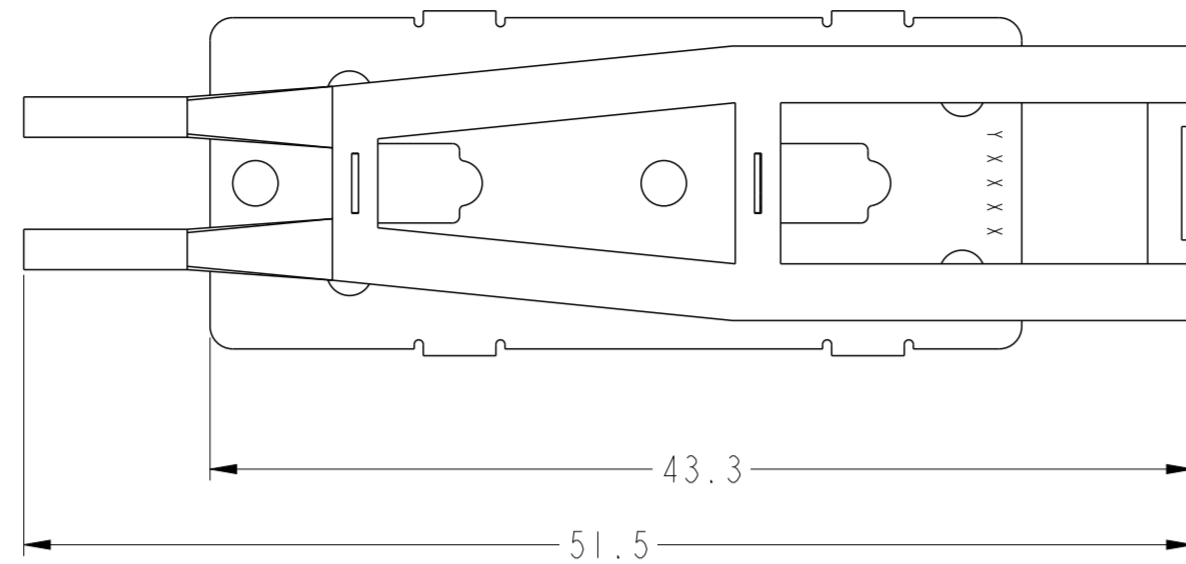
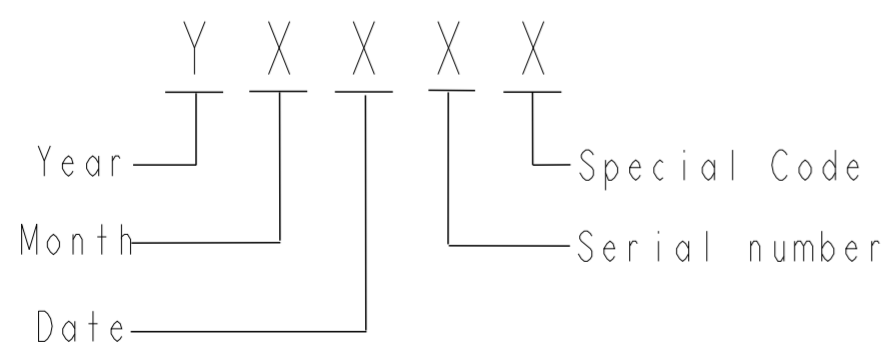


PRODUCT NUMBER	PACKAGING
10099106-011LF	TRAY



NOTES:

- MATERIAL:
COVER: STAINLESS STEEL
LIGHTPIPE: POLYCARBONATE, UL94-V0
- LIGHT PIPE KIT IS TO BE USED WITH SFP OR SFP+ 1X4 CAGE WITH LIGHT PIPE HOOKS.
- CAGE IS TO BE PRESSED TO THE PCB PRIOR TO ASSEMBLING THE LIGHT PIPE KIT ASSEMBLY.
- PRODUCT SPECIFICATION: GS-12-616
- APPLICATION SPECIFICATION: GS-20-125
- PRODUCT MEETS EUROPEAN UNION DIRECTIVES AND OTHER COUNTRY REGULATIONS AS DESCRIBED IN GS-22-008.



DATE CODE DESCRIPTION

spec ref	-	dr	Andy Zhang	2010/1/03	projection	MM	size	A2	scale	3:1
tolerance std	ASME Y14.5	eng	Andy Zhang	2012/01/03			ecn no	ELX-N-009120-1		
TOLERANCES UNLESS OTHERWISE SPECIFIED		chr	-	rel level			Released			
surface	✓	appr	Rick Bian	2012/01/04	product family	-	rel level	Released		
linear	0.X ±0.25 0.XX ±0.15 0.XXX ±0.05	title	SFP+ 1X1 LIGHT PIPE SFP+ CAGE KIT		cat. no.	-	Product - Customer	sheet 1 of 1	rev	B
angular	0° ±3°	www.fci.com								