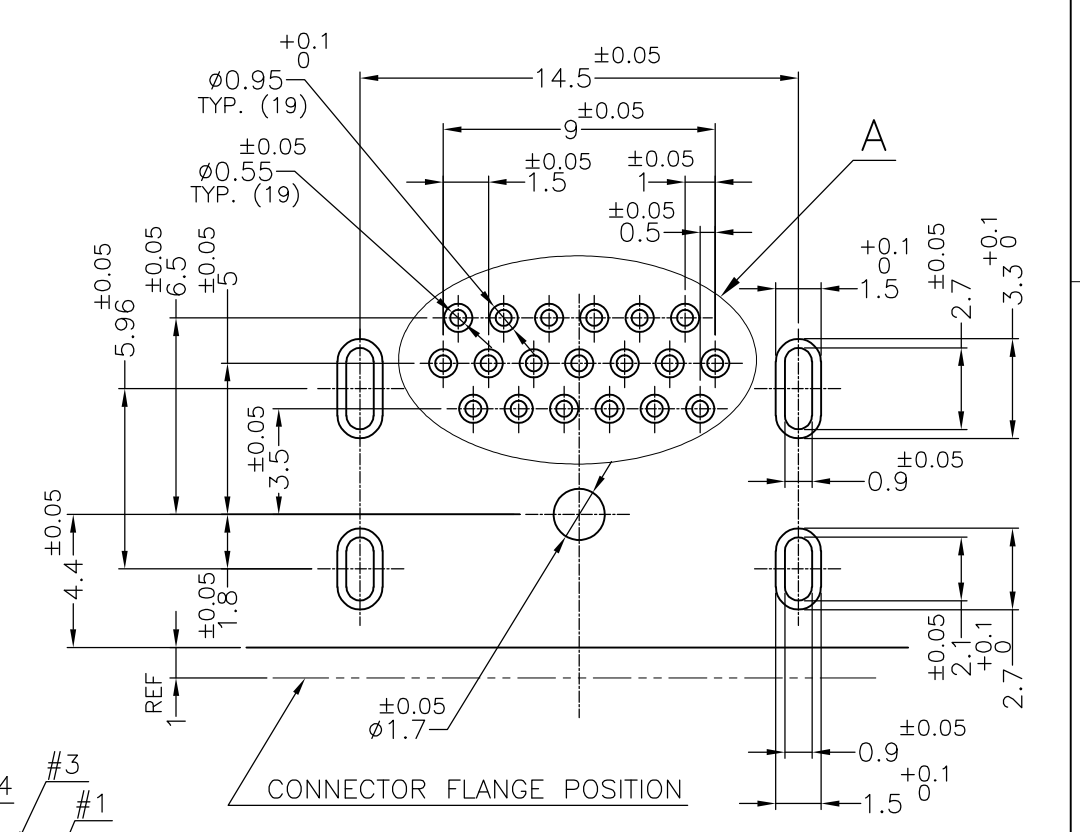
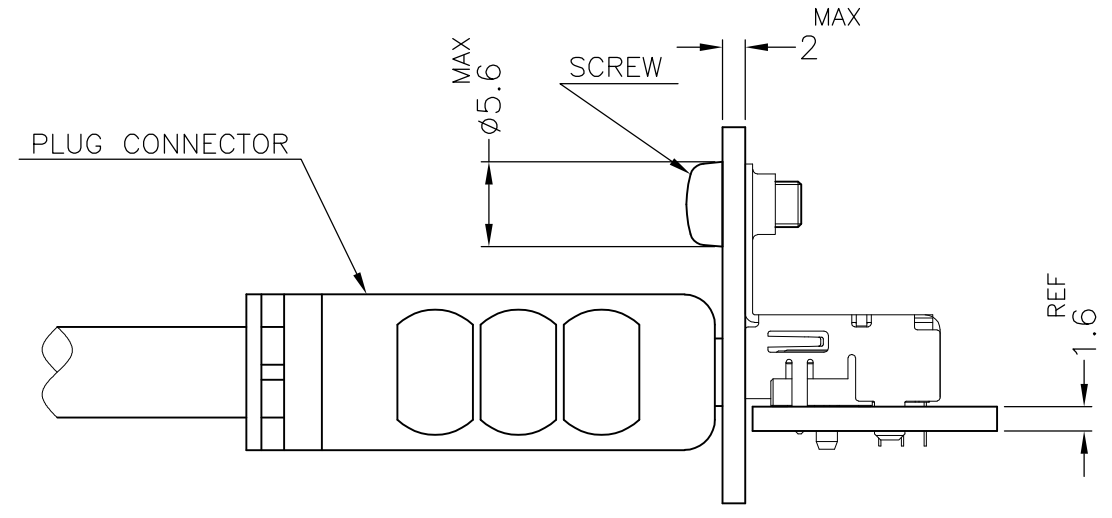
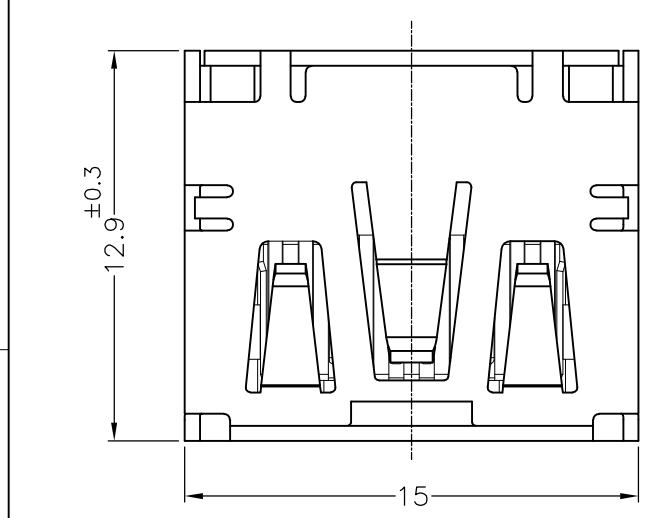
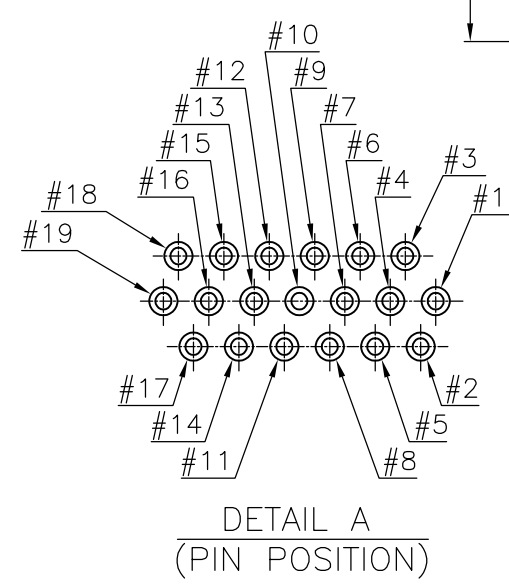
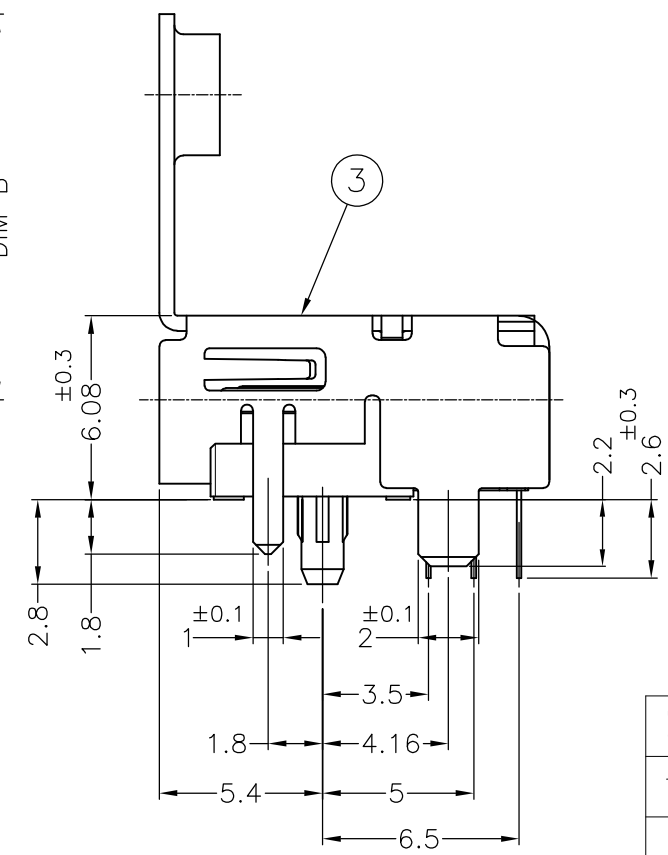
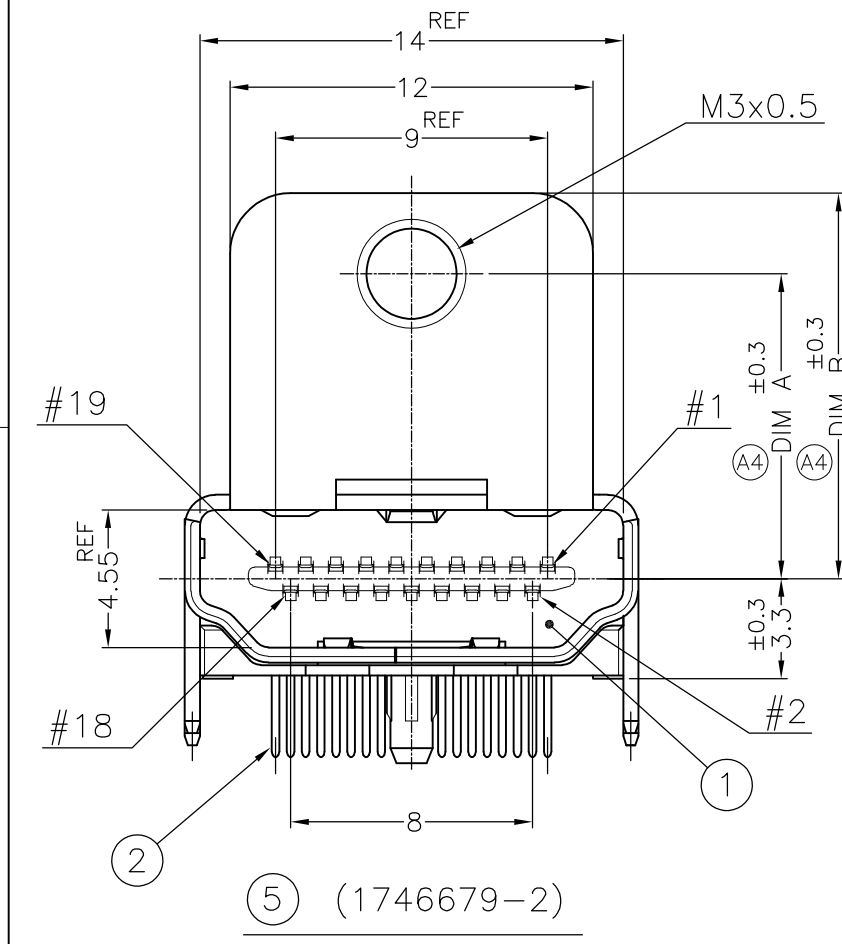


THIS DRAWING IS UNPUBLISHED. RELEASED FOR PUBLICATION
 © COPYRIGHT - By - ALL RIGHTS RESERVED.

LOC	DIST	REVISIONS			
P	LTR	DESCRIPTION	DATE	DWN	APVD
J	-	B1	REVISED PER ECO-11-005030	11MAR11	RK HMR



MATING CONDITION (REFERENCE)
(SCALE 2:1)



P.C.B LAYOUT
 SHOWN AS CONNECTOR MOUNTING SIDE
 TOLERANCE: NON-CUMULATIVE
 (REFERENCE)

FINISH	MATERIAL	QTY.	DISCRIPTION	ITEM
CONTACT AREA: Au 0.3µm MIN. SOLDERING AREA: TIN, ALL OVER UNDER Ni	COPPER ALLOY	19	CONTACT	③
Tin (MATTE), ALL OVER UNDER Ni	COPPER ALLOY	1	SHELL	②
	THERMOPLASTIC UL94V-0, BLACK COLOR	1	HOUSING	①

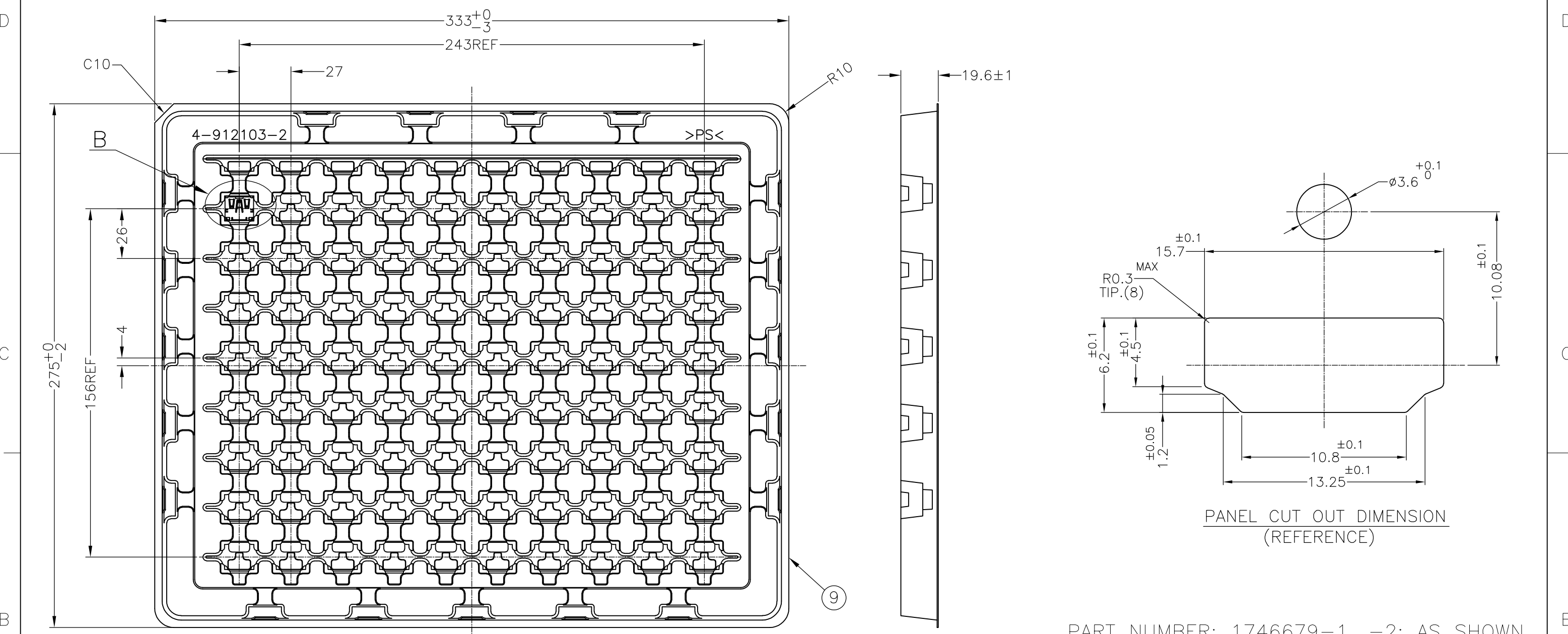
P/N ②	DIM B	DIM A
1746679-2	12.75	10.08
1746679-1	11.97	9

THIS DRAWING IS A CONTROLLED DOCUMENT.

DWN Y. HIRATA	15SEPT2004	STE TE Connectivity	NAME HDMI 19 POS RECEPTACLE ASSY DIP TYPE -LEAD FREE-			
CHK T. KIMURA	15SEP2004					
APVD K. IKEGAMI	15SEP2004					
PRODUCT SPEC	108-78180					
DIMENSIONS: MM	TOLERANCES UNLESS OTHERWISE SPECIFIED:	APPLICATION SPEC	SIZE	CAGE CODE	DRAWING NO	RESTRICTED TO
0 PLC ± 0.2	1 PLC ± 0.2	2 PLC ± 0.2	A3	00779	C-1746679	
3 PLC ± 0.2	4 PLC ± 0.2	ANGLES ± 2	CUSTOMER DRAWING			
MATERIAL	FINISH	WEIGHT	SCALE	SHEET	REV	
			4:1	1 OF 2	B1	

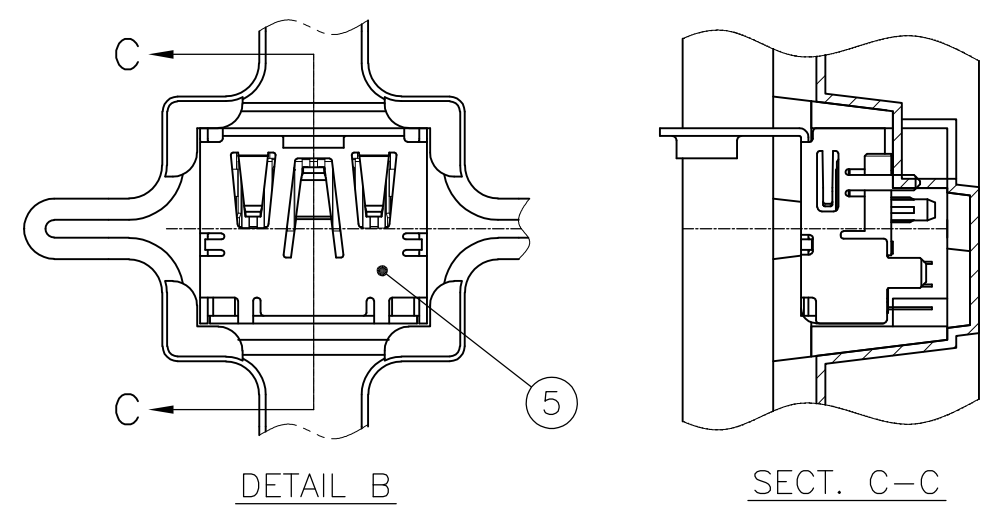
THIS DRAWING IS UNPUBLISHED. RELEASED FOR PUBLICATION
 © COPYRIGHT - By - ALL RIGHTS RESERVED.

LOC	DIST	REVISIONS			
P	LTR	DESCRIPTION	DATE	DWN	APVD
J	-	SEE SHEET 1	-	-	-



PANEL CUT OUT DIMENSION
(REFERENCE)

PART NUMBER: 1746679-1, -2; AS SHOWN



1746679-2	SEE SHEET 1	80	CONNECTOR	⑤
1746679-1	SEE SHEET 1	80	CONNECTOR	⑤
	PS	1	TRAY	④
PART NO	MATERIAL	QTY.	DISCRIPTION	ITEM

THIS DRAWING IS A CONTROLLED DOCUMENT.		DWN -		TE Connectivity HDMI 19 POS RECEPTACLE ASSY DIP TYPE -LEAD FREE-			
DIMENSIONS: MM		CHK -				NAME	
TOLERANCES UNLESS OTHERWISE SPECIFIED: ±0.3		APVD -				PRODUCT SPEC	
0 PLG ±0.2 1 PLG ±0.2 2 PLG ±0.2 3 PLG ±0.2 4 PLG ±0.2 ANGLES ±- FINISH		APPLICATION SPEC				SIZE	
MATERIAL		WEIGHT		CAGE CODE			
		CUSTOMER DRAWING		DRAWING NO			
				RESTRICTED TO			
				SCALE			
				SHEET			
				REV			
				B1			