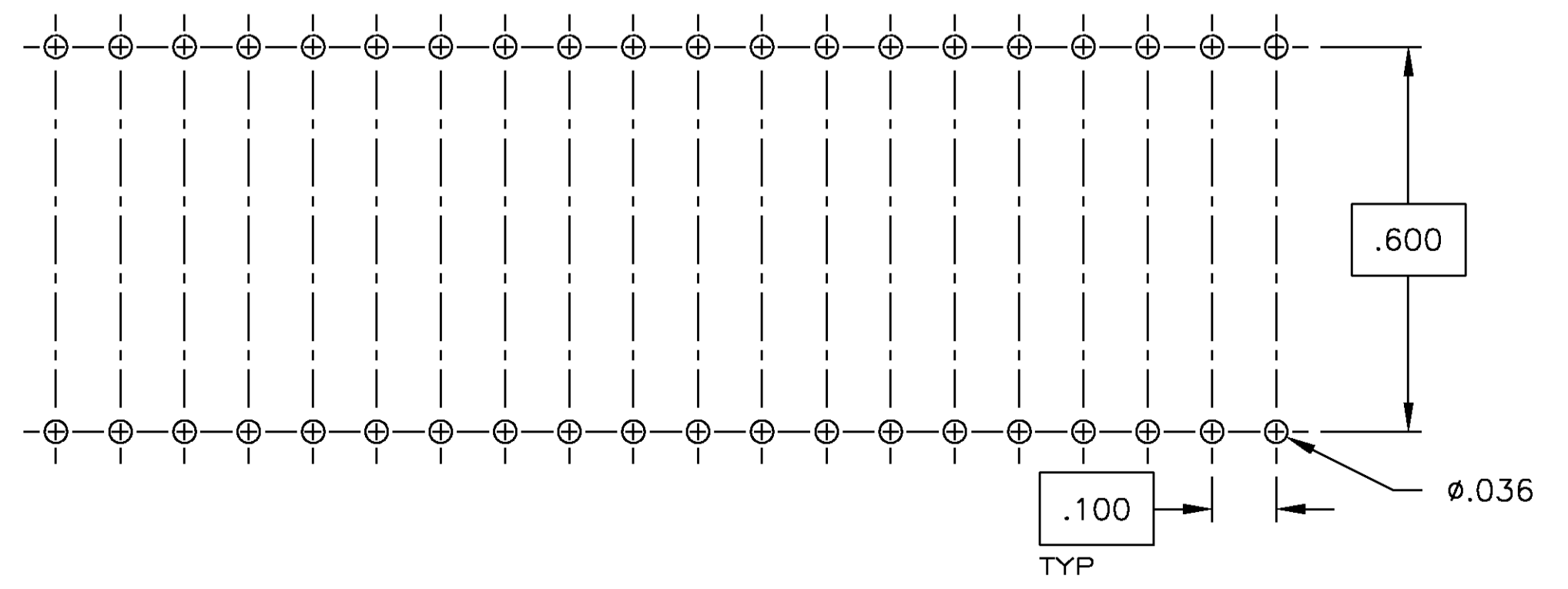
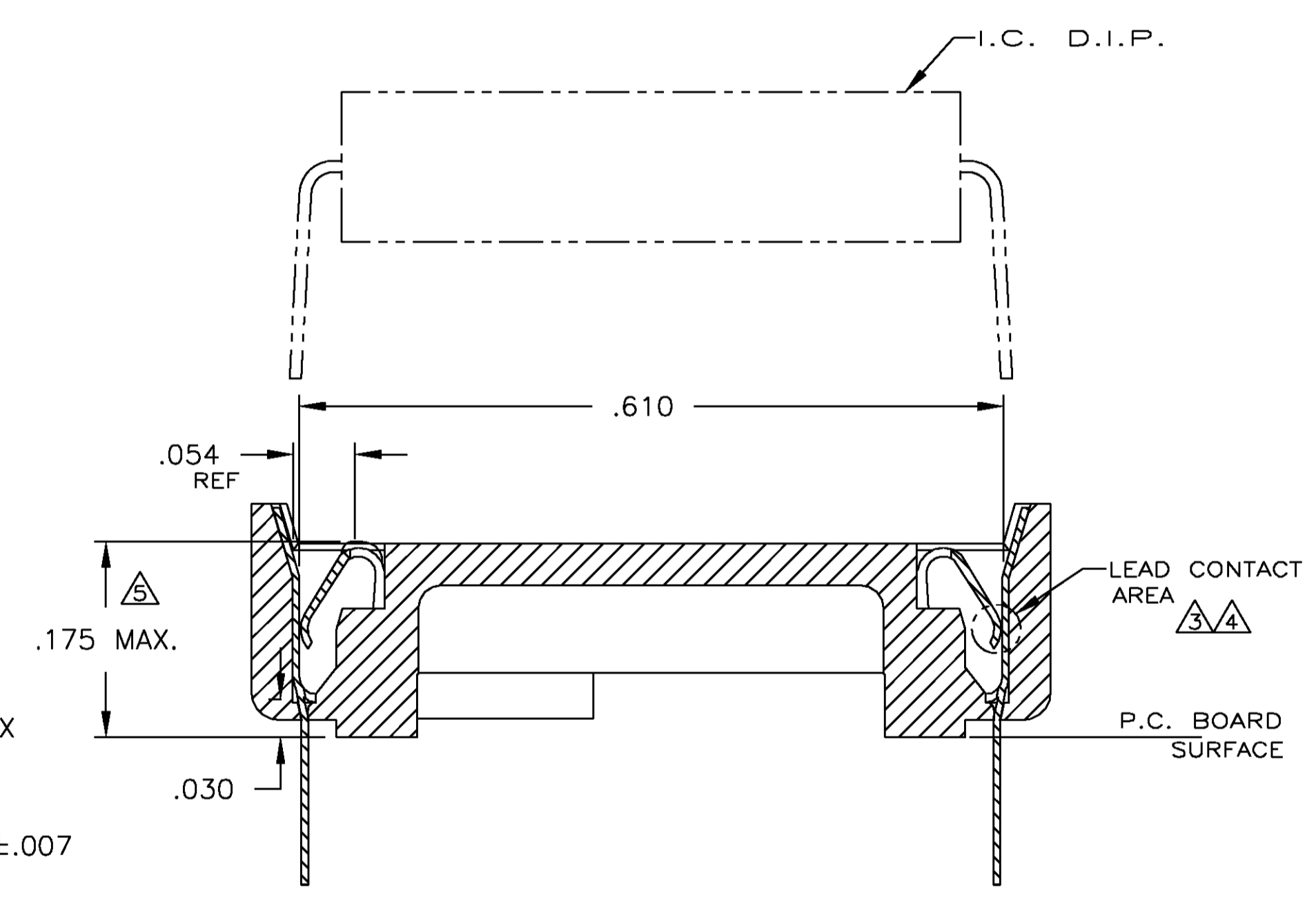
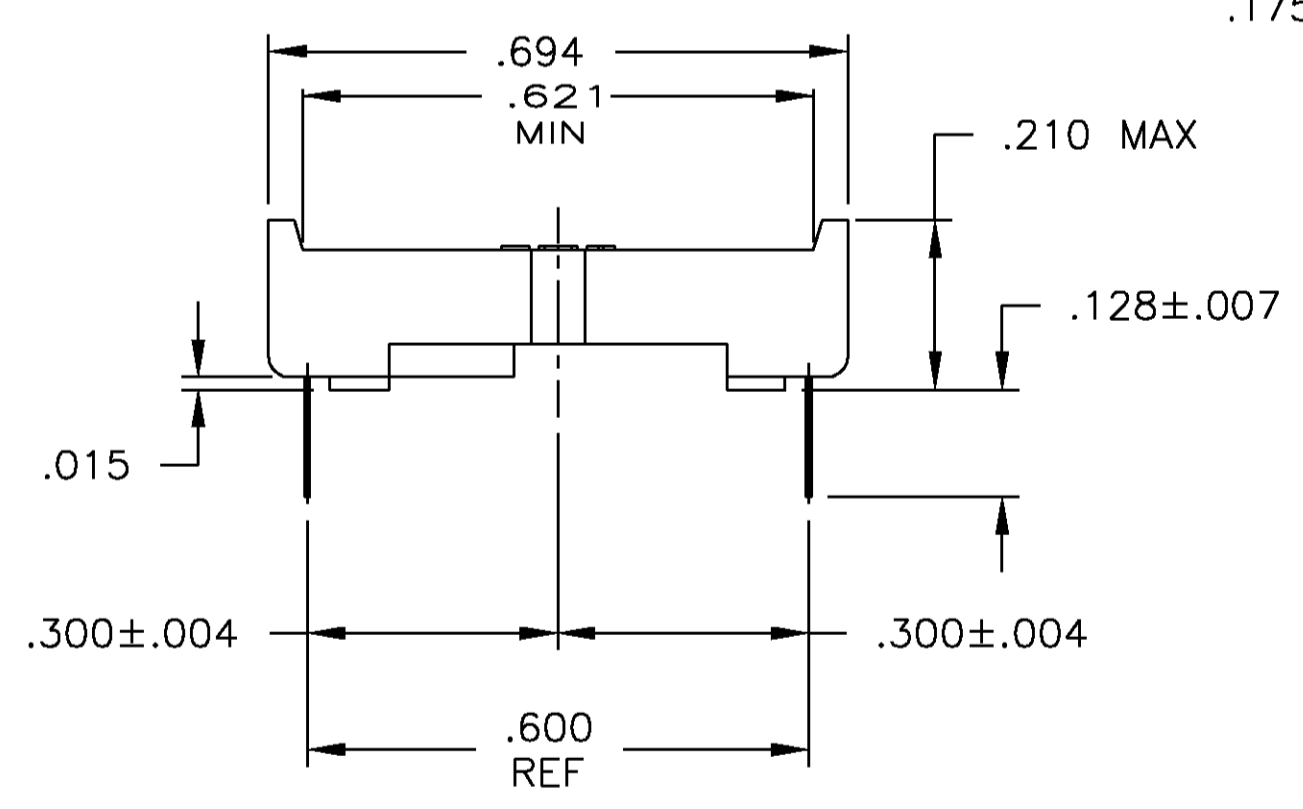
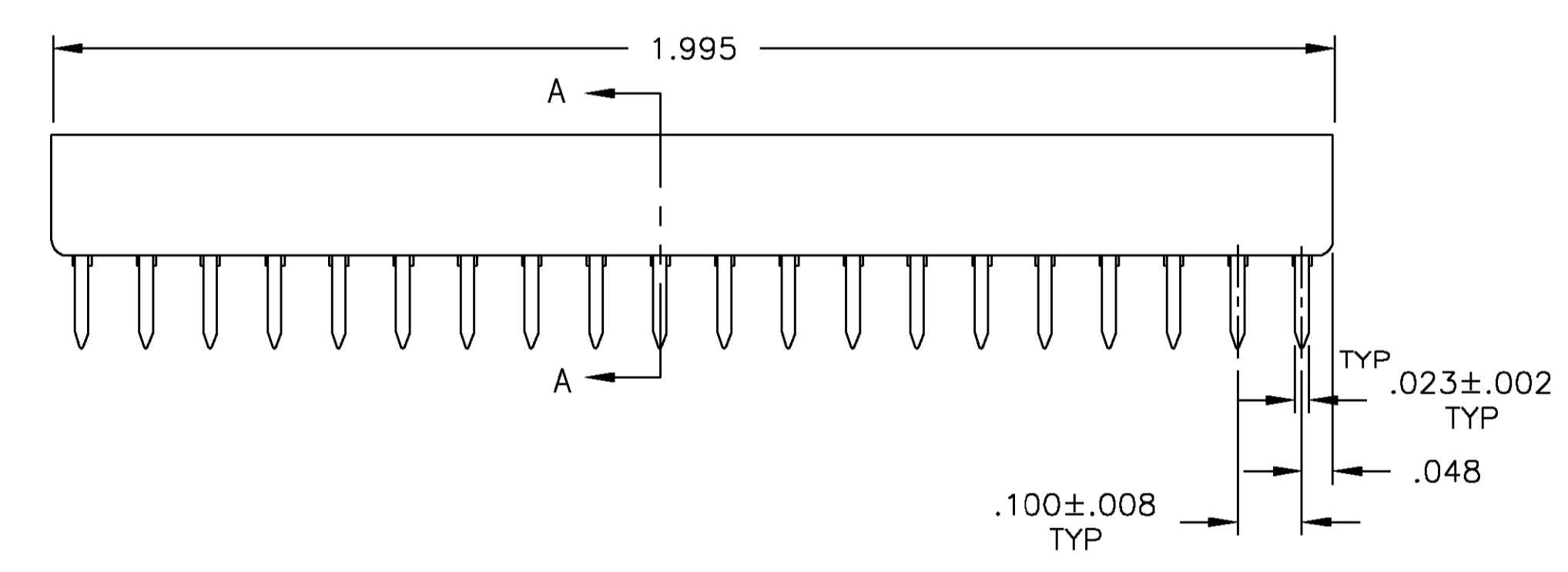
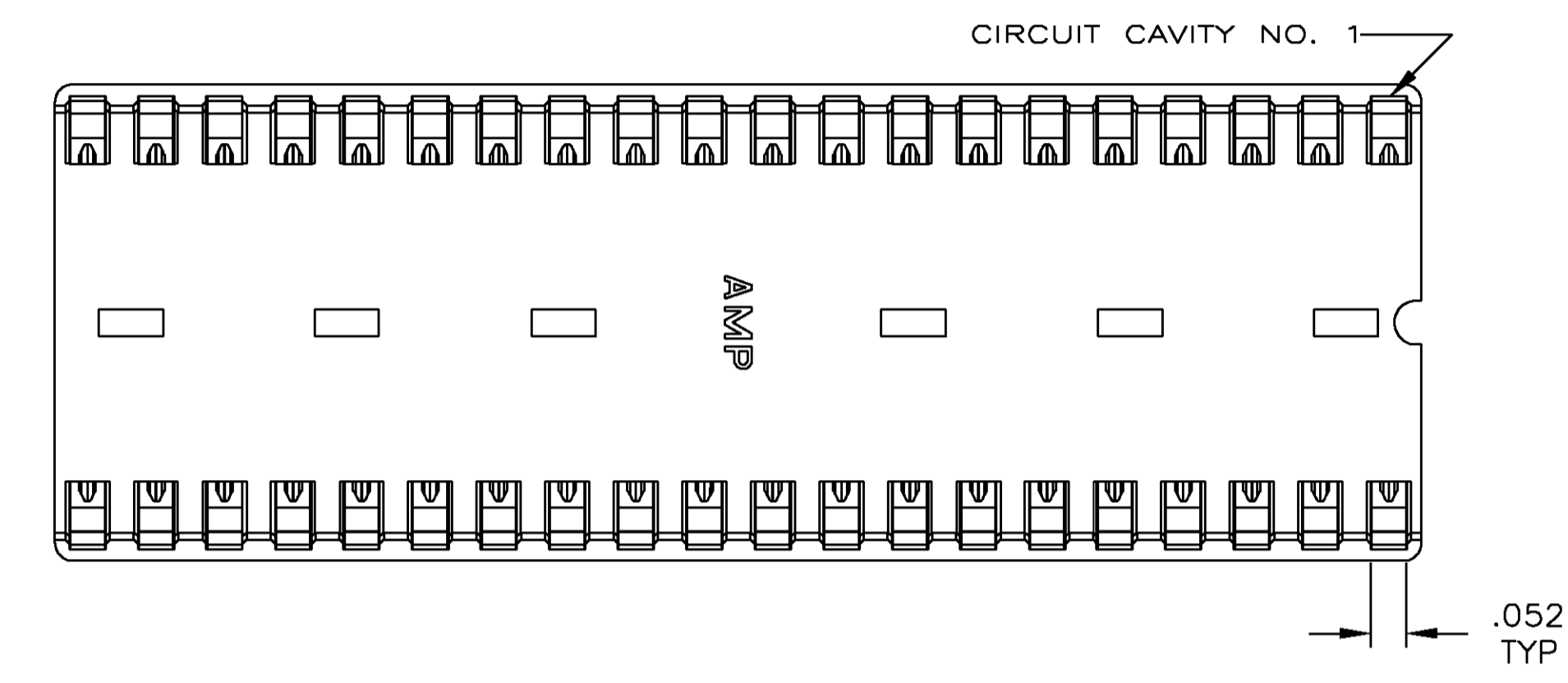


REVOLUTION		REVISIONS				
LOC	QTY	P. LTR	DESCRIPTION	DATE	BY	APP'D
AD	0	AB	REV PER 0G3C-0198-99	23AUG00	BH	HW

1. RECEPTACLE ACCEPTS A .008-.014 THICK I.C. LEAD.
2. TUBE LOADED FOR AUTOMATIC INSERTION.
3. TWO .000030 MIN THK. GOLD STRIPES IN CONTACT AREA WITH TIN-LEAD (93/7) ON CONTACT LEGS, BALANCE OF CONTACT NICKEL PLATED.
4. TWO .000015 MIN THK. GOLD STRIPES IN CONTACT AREA WITH TIN-LEAD (93/7) ON CONTACT LEGS, BALANCE OF CONTACT NICKEL PLATED.
5. MAXIMUM DIMENSION FOR I.C. SEATING PLANE.



RECOMMENDED MOUNTING HOLE PATTERN
SCALE 4:1

SUPSD BY	CONTACT FINISH	CONTACT MAT'L	HOUSING MATERIAL	PART NO.
SUPSD BY 390262-5	TINNED	PHOS.BRZ. .006 THK	GLASS-FILLED THERMOPLASTIC, 94V-0, BLACK	2-640379-4
SUPSD BY 390262-5	TINNED	PHOS.BRZ. .006 THK	GLASS-FILLED THERMOPLASTIC, 94V-0, BLACK	2-640379-3
SUPSD BY 390262-5	TINNED	BE.CU. .006 THK	GLASS-FILLED THERMOPLASTIC, 94V-0, BLACK	2-640379-2
SUPSD BY 390262-5	TINNED	BE.CU. .006 THK	GLASS-FILLED THERMOPLASTIC, 94V-0, BLACK	2-640379-1

THIS DRAWING IS A CONTROLLED DOCUMENT.		DATE: 20FEB97	BY: M.CYRUS
DIMENSIONS: INCHES		DATE: 20FEB97	BY: R.MILLER
TOLERANCES UNLESS OTHERWISE SPECIFIED:		DATE: 20FEB97	BY: J.LAMBERT
0 PL	± .005	DATE: 20FEB97	NAME: J.LAMBERT
1 PL	± .005	DATE: 20FEB97	NAME: J.LAMBERT
2 PL	± .005	DATE: 20FEB97	NAME: J.LAMBERT
3 PL	± .005	DATE: 20FEB97	NAME: J.LAMBERT
4 PL	± .005	DATE: 20FEB97	NAME: J.LAMBERT
ANGLES	± .005	DATE: 20FEB97	NAME: J.LAMBERT
MATERIAL: SEE TABLE	FINISH: SEE TABLE	SIZE: 114-1049	APPLICATION SPEC: 108-1066
CUSTOMER DRAWING		SCALE: 5:1	RESTRICTED TO: -
DRAWING NO: A100779		DATE: 23AUG00	BY: BH
DRAWING NO: 640379		DATE: 23AUG00	BY: HW