

TPS65170 Evaluation Module

This user's guide describes the characteristics, operation, and use of the TPS65170 evaluation module (EVM). This EVM contains the Texas Instruments LCD bias supply TPS65170 with a minimum 2.8 A switch current on the boost converter. The part also includes a 3.3 V, 1.5 A buck converter and a positive as well as a negative charge pump controller with 50 mA output current. The user's guide includes EVM specifications, recommended test setup, the schematic diagram, bill of materials, and the board layout.

Contents

1	Introduction	2
	1.1 Description	2
	1.2 Applications	2
	1.3 Features	2
2	TPS65170EVM Electrical and Performance Specifications	3
3	TPS65170EVM Schematic	4
4	Connector and Test Point Descriptions	5
	4.1 Input Connectors	5
	4.2 Output Connectors	5
5	Test Setup	5
	5.1 EVM Operation	5
	5.2 Compensation – COMP	5
6	TPS65170EVM Assembly Drawings and Layout	6
7	List of Materials	8

List of Figures

1	TPS65170EVM Schematic	4
2	TPS65170EVM Component Placement, Viewed From Top.....	6
3	TPS65170EVM Top Copper, Viewed From Top.....	6
4	TPS65170EVM Bottom Copper, Viewed From Bottom	7

List of Tables

1	TPS65170EVM Electrical and Performance Specifications	3
2	TPS65170EVM Bill of Materials.....	8

1 Introduction

The TPS65170 provides a simple and economic power supply solution for a wide variety of LCD bias applications. In typical display panel applications, the boost converter generates the display panel's source voltage V_S , the buck converter generates the system's logic supply V_{LOGIC} , and the two charge pump controllers regulate the external charge pumps generating the display transistors' on and off supplies V_{GH} and V_{GL} . By using external transistors to regulate the charge pump output voltage, power dissipation in the integrated circuit (IC) is significantly reduced, simplifying printed-circuit board (PCB) thermal design and improving reliability. The TPS65170 also provides a reset circuit that monitors the buck converter output (V_{LOGIC}) and generates a reset signal for the timing controller during power up.

1.1 Description

The TPS65170EVM is designed to operate over the full input voltage range and produces an output voltage of 15.6 V on the boost converter, 3.3 V on the buck converter, 26 V on the positive charge pump, and -7 V on the negative charge pump. The output voltages on the boost converter and the charge pumps can be adjusted by changing the feedback resistor divider networks. The external compensation is optimized for maximum stability for the used inductor and capacitor combinations. If another inductor and capacitor combination is used on the boost converter, the compensation must be adjusted according to the data sheet..

1.2 Applications

- LCD televisions and monitors

1.3 Features

- 8.6 V to 14.7 V input voltage range
- 2.8 A boost converter switch current limit
- Boost converter output voltages up to 18.5 V
- Boost and buck converter short-circuit protection
- 1.5 A buck converter switch current limit
- Fixed 750-kHz switching frequency for buck and boost converters
- Fixed buck converter soft start
- Programmable boost converter soft start
- Two charge pump controllers to regulate V_{GH} and V_{GL}
- Control signal for external high-side MOSFET isolation switch
- Reset signal with programmable reset pulse duration
- Thermal shutdown
- Double-sided, two-active-layer PCB with all components on top side

2 TPS65170EVM Electrical and Performance Specifications

Table 1. TPS65170EVM Electrical and Performance Specifications

Parameter		Notes and Conditions	Min	Typ	Max	Unit
Input Characteristics						
V_{IN}	Input Voltage		8	14.7		V
I_{IN}	Input Current	$V_{IN} = 12\text{ V}$, $I_S = I_{LOGIC} = 1\text{ A}$, $I_{VGH} = 50\text{ mA}$, $I_{VGL} = 50\text{ mA}$			10	mA
	No Load Input Current	$V_{IN} = 12\text{ V}$, $I_S = I_{LOGIC} = I_{VGH} = I_{VGL} = 0\text{ A}$		7	10	mA
Output Characteristics						
V_S	Boost Converter Output Voltage	$V_{IN} = 12\text{ V}$, $I_S = 1\text{ A}$	15.4	15.6	15.8	V
	Line Regulation on V_S	$V_{IN} = 9.6\text{ V to }14.4\text{ V}$, $I_{OUT} = 750\text{ mA}$		15		mV
	Load Regulation on V_S	$I_{OUT} = 100\text{ mA to }1.5\text{ A}$, PWM; $V_{IN} = 12\text{ V}$		25		mV
V_{LOGIC}	Buck Converter Output Voltage	$V_{IN} = 12\text{ V}$, $I_{LOGIC} = 1\text{ A}$	3.2	3.3	3.4	V
	Line Regulation on V_{LOGIC}	$V_{IN} = 9.6\text{ V to }14.4\text{ V}$, $I_{OUT} = 500\text{ mA}$		15		mV
	Load Regulation on V_{LOGIC}	$I_{OUT} = 100\text{ mA to }1\text{ A}$, PWM; $V_{IN} = 12\text{ V}$		10		mV
V_{GH}	Positive Charge Pump Output Logic Voltage	$V_{IN} = 12\text{ V}$, $I_{GH} = 50\text{ mA}$,	25	26	27	V
V_{GL}	Negative Charge Pump Output Logic Voltage	$V_{IN} = 12\text{ V}$, $I_{GL} = 50\text{ mA}$	6.5	7	7.5	V
$V_{OUT(PP)}$	Output Voltage Ripple, Boost Converter	$V_{IN} = 12\text{ V}$, $I_{OUT} = 1\text{ A}$		20		mV _{PP}
System Characteristics						
f_{SW}	Switching Frequency		600	750	900	kHz
η_{pk}	Peak Efficiency Boost Converter	$V_{IN} = 12\text{ V}$		93%		

3 TPS65170EVM Schematic

Figure 1 is for reference only; see Table 2 for specific values.

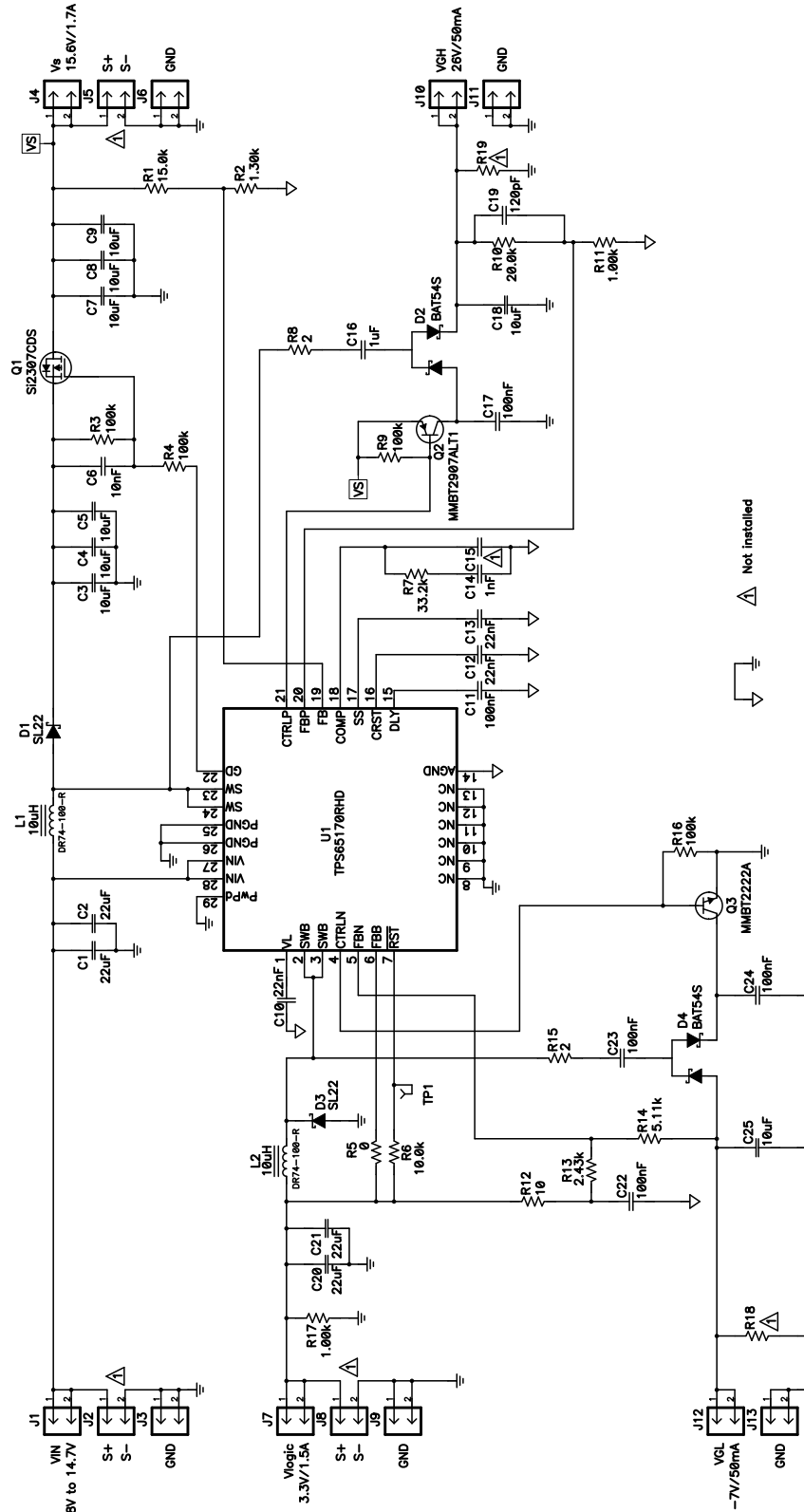


Figure 1. TPS65170EVM Schematic

4 Connector and Test Point Descriptions

4.1 Input Connectors

4.1.1 J1 – VIN

This header is the positive connection to the input power supply. The power supply must be connected between J1 and J3 (GND). Twist the leads to the input supply and keep them as short as possible. The input voltage has to be between 8 V and 14.7 V.

4.1.2 J2 – Input Sense Connector

This header is unpopulated, but is reserved for future use to measure the input voltage directly on the input capacitor. Therefore, a 4-wire power and sense supply can be connected. Twist the leads to the sensing connector.

4.1.3 J3 – GND

This header is the return connection to the input power supply. Connect the power supply between these pins and J1 (VIN). Twist the leads to the input supply and keep them as short as possible. The input voltage must be between 8 V and 14.7 V.

4.2 Output Connectors

4.2.1 J4 – V_s

This header is the positive connection of the output voltage of the boost converter. Connect the boost converter's load between J4 and J6 (GND).

4.2.2 J5 – V_s Output Sense Connector

This header is unpopulated, but is reserved for future use to measure the output voltage of the boost converter directly on the output capacitors.

4.2.3 J6 – GND

This header is the return connection of the output voltage of the boost converter. Connect the boost converter's load between these pins and J4 (VOUT).

5 Test Setup

5.1 EVM Operation

The user must connect an input power supply set between 8 V and 14.7 V between headers J1 and J3 in order for the EVM to operate. The absolute maximum input voltage is 20 V.

The user can connect a load resistance between J4 and J6, J7 and J9, J10 and J11, and J12 and J13.

5.2 Compensation – COMP

The regulator loop can be compensated by adjusting the external components connected to the COMP pin. The COMP pin is the output of the internal transconductance error amplifier.

Standard values of $R_{COMP} = R7 = 33 \text{ k}\Omega$ and $C_{COMP} = C14 = 1 \text{ nF}$ work for the majority of the applications.

6 TPS65170EVM Assembly Drawings and Layout

Figure 2 through Figure 4 show the design of the TPS65170EVM printed-circuit board (PCB). The EVM has been designed using a two-layer, 35- μm (1 oz), copper-clad circuit board. All components are on the top side, and all active traces on the top and bottom layers allow the user to easily view, probe, and evaluate the TPS65170 control IC in a practical, double-sided application. Moving components to both sides of the PCB or using additional internal layers can offer additional size reduction for space-constrained systems.

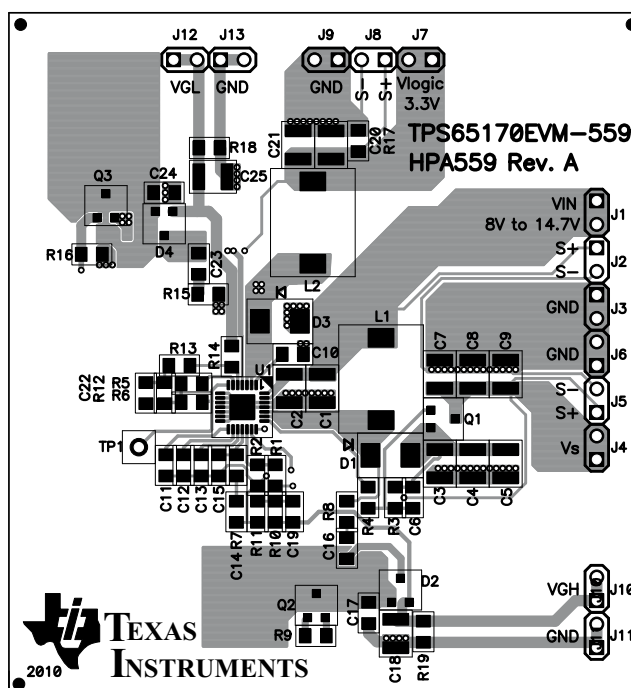


Figure 2. TPS65170EVM Component Placement, Viewed From Top

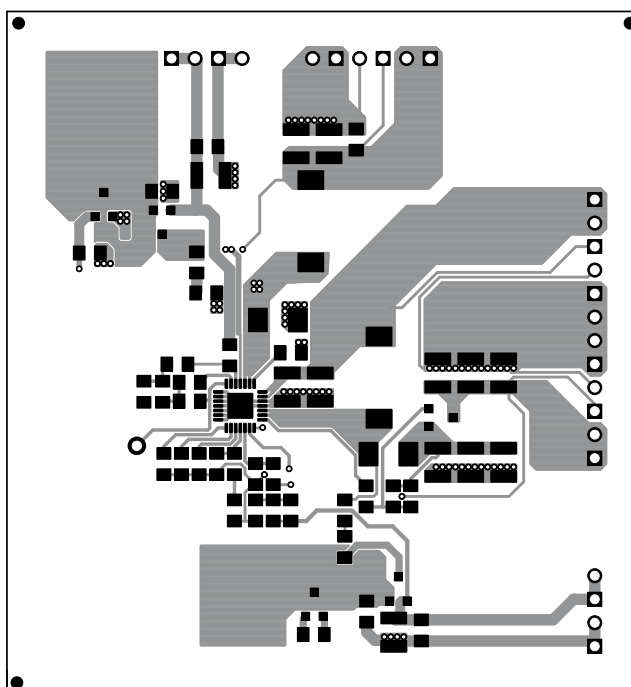


Figure 3. TPS65170EVM Top Copper, Viewed From Top

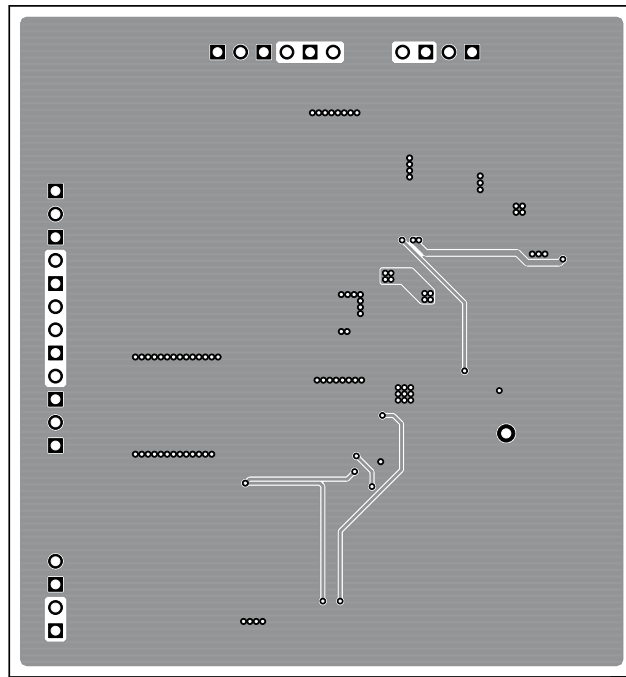


Figure 4. TPS65170EVM Bottom Copper, Viewed From Bottom

7 List of Materials

Table 2 lists the EVM components as configured according to the schematic shown in Figure 1.

Table 2. TPS65170EVM Bill of Materials

RefDes	Value	Description	Size	Part Number	MFR
C1, C2, C20, C21	22 μ F	Capacitor, Ceramic, 16V, X5R, 20%	1210	EMK325BJ226MM	Taiyo Yuden
C10, C12, C13	22 nF	Capacitor, Ceramic, 50V, X7R, 10%	0805	Std	Std
C11, C17, C22, C23, C24	100 nF	Capacitor, Ceramic, 50V, X7R, 10%	0805	Std	Std
C14	1 nF	Capacitor, Ceramic, 50V, X7R, 10%	0805	Std	Std
C15	Open	Capacitor, Ceramic, 50V, X7R, 10%	0805	Std	Std
C16	1 μ F	Capacitor, Ceramic, 35V, X7R, 10%	0805	GMK212B7105KG	Taiyo Yuden
C18, C25	10 μ F	Capacitor, Ceramic, 50V, X5R, 20%	1210	UMK325BJ106MM	Taiyo Yuden
C19	120 pF	Capacitor, Ceramic, 50V, X7R, 10%	0805	Std	Std
C3, C4, C5, C7, C8, C9	10 μ F	Capacitor, Ceramic, 25V, X5R, 20%	1210	TMK325BJ106MM	Taiyo Yuden
C6	10 μ F	Capacitor, Ceramic, 50V, X7R, 10%	0805	Std	Std
D1, D3	SL22	Diode, Schottky Rectifier, 2A, 20V	DO-214AA	SL22-E3/52T	Vishay
D2, D4	BAT54S	Diode, Dual Schottky, 200-mA, 30-V	SOT23	BAT54S-7-F	Diodes Inc.
L1, L2	10 μ H	Inductor, SMT, 2.4A, 49 m Ω	0.327 X 0.327 inch	DR74-100-R	Coiltronics
Q1	Si2307CDS	MOSFET, P-ch, -20V, -2.3A, 130 m Ω	SOT23	Si2307CDS-T1-GE3	Vishay
Q2	MMBT2907ALT1	Transistor, PNP, -60V, -600mA, 225-W	SOT23	MMBT2907ALT1	On Semi
Q3	MMBT2222A	Transistor, NPN, High Performance, 500mA	SOT23	MMBT2222A	Fairchild
R1	15.0k	Resistor, Chip, 1/10W, 1%	0805	Std	Std
R10	20.0k	Resistor, Chip, 1/10W, 1%	0805	Std	Std
R11, R17	1.00k	Resistor, Chip, 1/10W, 1%	0805	Std	Std
R12	10	Resistor, Chip, 1/10W, 1%	0805	Std	Std
R13	2.43k	Resistor, Chip, 1/10W, 1%	0805	Std	Std
R14	5.11k	Resistor, Chip, 1/10W, 1%	0805	Std	Std
R18, R19	Open	Resistor, Chip, 1/10W, 1%	0805	Std	Std
R2	1.30k	Resistor, Chip, 1/10W, 1%	0805	Std	Std
R3, R4, R9, R16	100k	Resistor, Chip, 1/10W, 1%	0805	Std	Std
R5	0	Resistor, Chip, 1/10W, 10%	0805	Std	Std
R6	10.0k	Resistor, Chip, 1/10W, 1%	0805	Std	Std
R7	33.2k	Resistor, Chip, 1/10W, 1%	0805	Std	Std
R8, R15	2	Resistor, Chip, 1/10W, 1%	0805	Std	Std
U1	TPS65170RHD	IC, LCD Bias Supply	QFN-28	TPS65170RHD	Texas Instruments

EVALUATION BOARD/KIT IMPORTANT NOTICE

Texas Instruments (TI) provides the enclosed product(s) under the following conditions:

This evaluation board/kit is intended for use for **ENGINEERING DEVELOPMENT, DEMONSTRATION, OR EVALUATION PURPOSES ONLY** and is not considered by TI to be a finished end-product fit for general consumer use. Persons handling the product(s) must have electronics training and observe good engineering practice standards. As such, the goods being provided are not intended to be complete in terms of required design-, marketing-, and/or manufacturing-related protective considerations, including product safety and environmental measures typically found in end products that incorporate such semiconductor components or circuit boards. This evaluation board/kit does not fall within the scope of the European Union directives regarding electromagnetic compatibility, restricted substances (RoHS), recycling (WEEE), FCC, CE or UL, and therefore may not meet the technical requirements of these directives or other related directives.

Should this evaluation board/kit not meet the specifications indicated in the User's Guide, the board/kit may be returned within 30 days from the date of delivery for a full refund. **THE FOREGOING WARRANTY IS THE EXCLUSIVE WARRANTY MADE BY SELLER TO BUYER AND IS IN LIEU OF ALL OTHER WARRANTIES, EXPRESSED, IMPLIED, OR STATUTORY, INCLUDING ANY WARRANTY OF MERCHANTABILITY OR FITNESS FOR ANY PARTICULAR PURPOSE.**

The user assumes all responsibility and liability for proper and safe handling of the goods. Further, the user indemnifies TI from all claims arising from the handling or use of the goods. Due to the open construction of the product, it is the user's responsibility to take any and all appropriate precautions with regard to electrostatic discharge.

EXCEPT TO THE EXTENT OF THE INDEMNITY SET FORTH ABOVE, NEITHER PARTY SHALL BE LIABLE TO THE OTHER FOR ANY INDIRECT, SPECIAL, INCIDENTAL, OR CONSEQUENTIAL DAMAGES.

TI currently deals with a variety of customers for products, and therefore our arrangement with the user **is not exclusive.**

TI assumes **no liability for applications assistance, customer product design, software performance, or infringement of patents or services described herein.**

Please read the User's Guide and, specifically, the Warnings and Restrictions notice in the User's Guide prior to handling the product. This notice contains important safety information about temperatures and voltages. For additional information on TI's environmental and/or safety programs, please contact the TI application engineer or visit www.ti.com/esh.

No license is granted under any patent right or other intellectual property right of TI covering or relating to any machine, process, or combination in which such TI products or services might be or are used.

FCC Warning

This evaluation board/kit is intended for use for **ENGINEERING DEVELOPMENT, DEMONSTRATION, OR EVALUATION PURPOSES ONLY** and is not considered by TI to be a finished end-product fit for general consumer use. It generates, uses, and can radiate radio frequency energy and has not been tested for compliance with the limits of computing devices pursuant to part 15 of FCC rules, which are designed to provide reasonable protection against radio frequency interference. Operation of this equipment in other environments may cause interference with radio communications, in which case the user at his own expense will be required to take whatever measures may be required to correct this interference.

EVM WARNINGS AND RESTRICTIONS

It is important to operate this EVM within the input voltage range of 8 V to 14.7 V and various output voltages between 3.3 V and 26 V.

Exceeding the specified input range may cause unexpected operation and/or irreversible damage to the EVM. If there are questions concerning the input range, please contact a TI field representative prior to connecting the input power.

Applying loads outside of the specified output range may result in unintended operation and/or possible permanent damage to the EVM. Please consult the EVM User's Guide prior to connecting any load to the EVM output. If there is uncertainty as to the load specification, please contact a TI field representative.

During normal operation, some circuit components may have case temperatures greater than 85°C. The EVM is designed to operate properly with certain components above 125°C as long as the input and output ranges are maintained. These components include but are not limited to linear regulators, switching transistors, pass transistors, and current sense resistors. These types of devices can be identified using the EVM schematic located in the EVM User's Guide. When placing measurement probes near these devices during operation, please be aware that these devices may be very warm to the touch.

Mailing Address: Texas Instruments, Post Office Box 655303, Dallas, Texas 75265
Copyright © 2010, Texas Instruments Incorporated

IMPORTANT NOTICE

Texas Instruments Incorporated and its subsidiaries (TI) reserve the right to make corrections, modifications, enhancements, improvements, and other changes to its products and services at any time and to discontinue any product or service without notice. Customers should obtain the latest relevant information before placing orders and should verify that such information is current and complete. All products are sold subject to TI's terms and conditions of sale supplied at the time of order acknowledgment.

TI warrants performance of its hardware products to the specifications applicable at the time of sale in accordance with TI's standard warranty. Testing and other quality control techniques are used to the extent TI deems necessary to support this warranty. Except where mandated by government requirements, testing of all parameters of each product is not necessarily performed.

TI assumes no liability for applications assistance or customer product design. Customers are responsible for their products and applications using TI components. To minimize the risks associated with customer products and applications, customers should provide adequate design and operating safeguards.

TI does not warrant or represent that any license, either express or implied, is granted under any TI patent right, copyright, mask work right, or other TI intellectual property right relating to any combination, machine, or process in which TI products or services are used. Information published by TI regarding third-party products or services does not constitute a license from TI to use such products or services or a warranty or endorsement thereof. Use of such information may require a license from a third party under the patents or other intellectual property of the third party, or a license from TI under the patents or other intellectual property of TI.

Reproduction of TI information in TI data books or data sheets is permissible only if reproduction is without alteration and is accompanied by all associated warranties, conditions, limitations, and notices. Reproduction of this information with alteration is an unfair and deceptive business practice. TI is not responsible or liable for such altered documentation. Information of third parties may be subject to additional restrictions.

Resale of TI products or services with statements different from or beyond the parameters stated by TI for that product or service voids all express and any implied warranties for the associated TI product or service and is an unfair and deceptive business practice. TI is not responsible or liable for any such statements.

TI products are not authorized for use in safety-critical applications (such as life support) where a failure of the TI product would reasonably be expected to cause severe personal injury or death, unless officers of the parties have executed an agreement specifically governing such use. Buyers represent that they have all necessary expertise in the safety and regulatory ramifications of their applications, and acknowledge and agree that they are solely responsible for all legal, regulatory and safety-related requirements concerning their products and any use of TI products in such safety-critical applications, notwithstanding any applications-related information or support that may be provided by TI. Further, Buyers must fully indemnify TI and its representatives against any damages arising out of the use of TI products in such safety-critical applications.

TI products are neither designed nor intended for use in military/aerospace applications or environments unless the TI products are specifically designated by TI as military-grade or "enhanced plastic." Only products designated by TI as military-grade meet military specifications. Buyers acknowledge and agree that any such use of TI products which TI has not designated as military-grade is solely at the Buyer's risk, and that they are solely responsible for compliance with all legal and regulatory requirements in connection with such use.

TI products are neither designed nor intended for use in automotive applications or environments unless the specific TI products are designated by TI as compliant with ISO/TS 16949 requirements. Buyers acknowledge and agree that, if they use any non-designated products in automotive applications, TI will not be responsible for any failure to meet such requirements.

Following are URLs where you can obtain information on other Texas Instruments products and application solutions:

Products		Applications	
Amplifiers	amplifier.ti.com	Audio	www.ti.com/audio
Data Converters	dataconverter.ti.com	Automotive	www.ti.com/automotive
DLP® Products	www.dlp.com	Communications and Telecom	www.ti.com/communications
DSP	dsp.ti.com	Computers and Peripherals	www.ti.com/computers
Clocks and Timers	www.ti.com/clocks	Consumer Electronics	www.ti.com/consumer-apps
Interface	interface.ti.com	Energy	www.ti.com/energy
Logic	logic.ti.com	Industrial	www.ti.com/industrial
Power Mgmt	power.ti.com	Medical	www.ti.com/medical
Microcontrollers	microcontroller.ti.com	Security	www.ti.com/security
RFID	www.ti-rfid.com	Space, Avionics & Defense	www.ti.com/space-avionics-defense
RF/IF and ZigBee® Solutions	www.ti.com/lprf	Video and Imaging	www.ti.com/video
		Wireless	www.ti.com/wireless-apps

Mailing Address: Texas Instruments, Post Office Box 655303, Dallas, Texas 75265
Copyright © 2010, Texas Instruments Incorporated