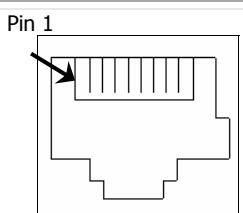


Digi CM, RJ-45 to DB-25 Console Adapter

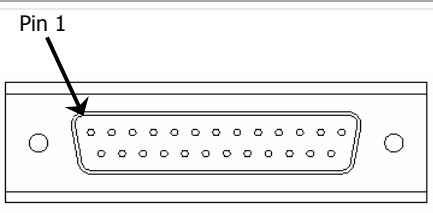
For use with Digi CM 8, 16, 32, 48 – All Models

Digi Cable Adapters allow you to connect your serial devices using commercially available CAT 5 cable of any length. Simply plug standard CAT 5 cable into your Digi Product, connect a Cable Adapter to the other end and plug the adapter into your device.

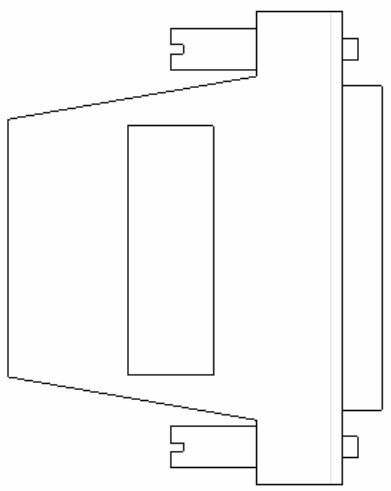
From RJ-45	Signal	Direction	Signal	To DB-25
1	CTS	←	RTS	4
2	DSR	↔	DTR	20
5	DCD			
3	RxD	←	TxD	2
4	Ground	↔	SG	7
6	TxD	→	RxD	3
8	RTS	→	CTS	5
7	DTR	↔	DSR	6
			DCD	8



Female RJ-45
8-pin



Male DB-25



Cable Adapter not to scale

* Arrows indicate which direction the signal is flowing

Notes:

- All RJ45 cable adapters are 8-pin.

Digi Part Number 76000672 Digi CM DB25M Console Adapter (8-pack)