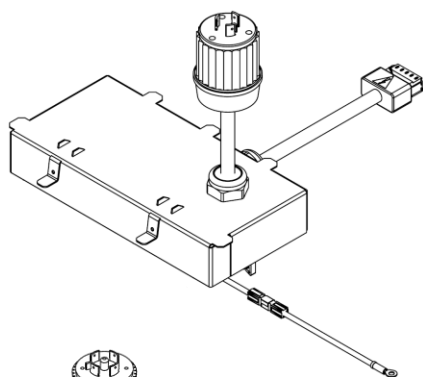


AC Power Distribution Units

YSD.00162, YSD.00152, YSD.00217,
YSD.00218, YSD.00219, YSD.00222

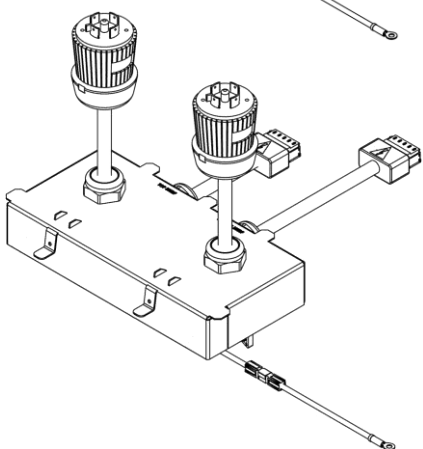
for V2 Open Rack



Bel Power Solutions AC Power Distribution Unit (PDU) is used to distribute AC voltage in IT Racks following the Open Rack specification.

This device is installed in an IT chassis and works in conjunction with the OCP V2 Open Rack.

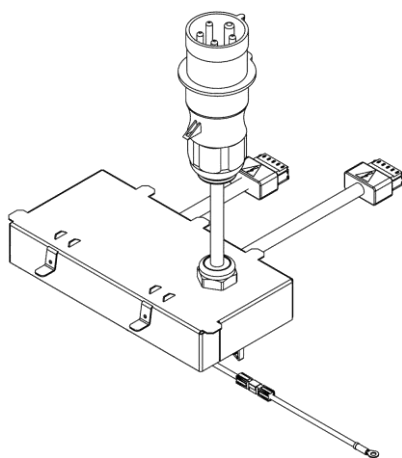
The AC lines are distributed to the V2 Power Shelves, which provide DC power to the Open Rack IT devices



Key Features & Benefits

- Designed for V2 Power shelf
- Different models cover different AC input voltage configurations
- Ground cable added on rev. B models
- Dual or single AC outputs
- Full compatibility to Open Compute Project Specification
- Robust mechanical design
- Surge protections included
- UL approved
- Link to OCP specification:

http://www.opencompute.org/wiki/Open_Rack/SpecsAndDesigns



bel POWER
SOLUTIONS &
PROTECTION

a bel group

belfuse.com/power-solutions

1. ORDERING INFORMATION

MODEL	PART NUMBER	INPUT VOLTAGE	INPUT CURRENT	# of INPUTS	# of OUTPUTS	PLUG TYPE	SURGE PROTECTION
FCBK V2 US 20A 277V 3P AC PDU	YSD.00162	277 / 480 VAC	20 A (x2)	2	2	L22-20P	Yes
FCBK V2 EU 32A 230V 3P AC PDU	YSD.00152	240 / 415 VAC	32 A (sum per phase)	1	2	IEC 60309	Yes
FCBK V2 US 30A 208V 3P AC PDU	YSD.00217	120 / 208 VAC	30 A (x2)	2	2	L21-30P	No
FCBK V2 US 30A 277V 3P AC PDU	YSD.00218	277 / 480 VAC	30 A (sum per phase)	1	2	L22-30P	Yes
FCBK V2 US 20A 277V 1P AC PDU	YSD.00219	277 VAC	20 A	1	1	L7-20P	No
FCBK V2 US 30A 208V 3P AC PDU	YSD.00222	120 / 208 VAC	30 A (x2)	2	2	L21-30P	No

2. INPUT SPECIFICATIONS

The table below shows a summary of the PDU input electrical characteristics:

PARAMETER	CONDITIONS / DESCRIPTION	MIN	NOM	MAX	UNITS
AC Input Voltage	YSD.00162 (3-phase WYE)		277 / 480		VAC
	YSD.00152 (3-phase WYE)		240 / 415		
	YSD.00217 (3-phase Delta wiring)		120 / 208		
	YSD.00218 (3-phase)		277 / 480		
	YSD.00219 (1-phase)		277		
	YSD.00222 (3-phase Delta wiring)		120 / 208		
Frequency			50 / 60		Hz
Nominal Continuous Input Current	YSD.00162 per phase (16 A, de-rated 80%) @ Tamb 45°C			20	Arms
	YSD.00152 per phase @ Tamb 45°C			32	
	YSD.00217 per phase @ Tamb 45°C			30	
	YSD.00218 per phase @ Tamb 45°C			30	
	YSD.00219 per phase @ Tamb 45°C			20	
	YSD.00222 per phase @ Tamb 45°C			30	
Surge Protection	Differential Mode		2		kV
	Common Mode		4		

2.1 INPUT CONNECTIONS

The following pictures show the different connectors used in the different models:

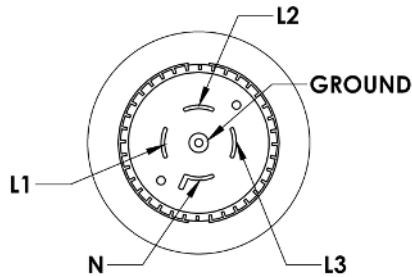


Figure 1. L22-20P

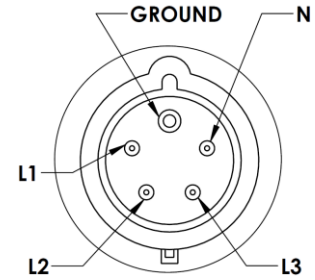


Figure 2. IEC 60309

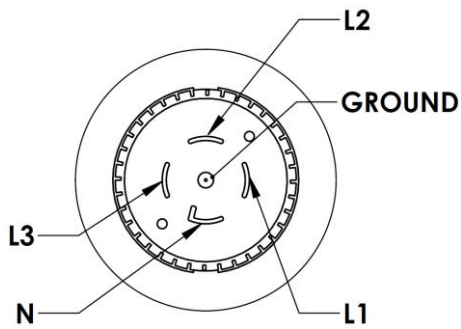


Figure 3. L21-30P / L22-30P

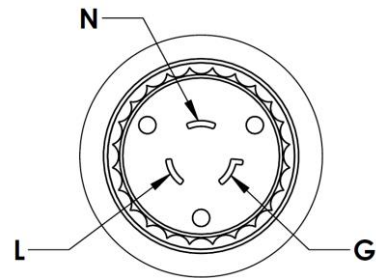


Figure 4. L7-20P

LINE	DESCRIPTION
L1	X (black)
L2	Y (red)
L3	Z (blue)
N	W (white) Not connected on YSD.00217
G	G (green)

2.2 SURGE PROTECTION (MODELS: YSD.00162, YSD.00152, YSD.00218)

Each of the input three lines (L1, L2, L3) is connected to the neutral line (N) via a varistor (at least 20 mm diameter) with a protection device (thermal fuse).

After the varistor all three lines can be connected together and then connected to ground via a 3.0 kV gas tube.

Each of the 6 varistors has a protection fuse in series. Each of the three lines also has a 32 A inductor, with 1 μH .

A 4 W, 100 ohm resistor shall be placed in parallel with each of the inductors

The five AC input wires (L1, L2, L3, N, G) is securely connected to the surge protection PCB via terminal block input and the five output wires from the surge protection circuit (L1', L2', L3', N, G) are securely connected via a terminal block.

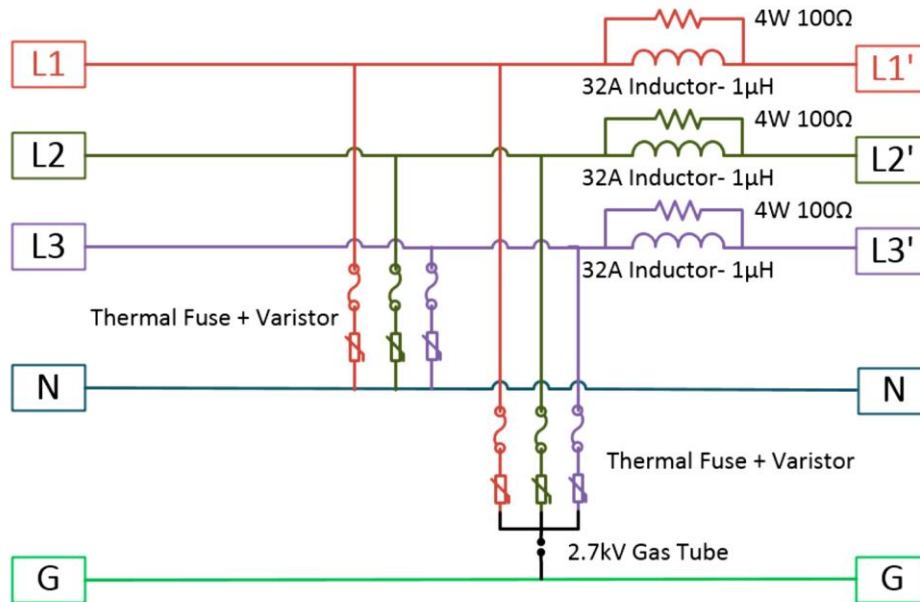


Figure 5. Surge Protection Circuit Schematic

3. OUTPUT SPECIFICATIONS

The output connectors distributes the AC voltage to the power shelves on the Open Rack.

3.1 OUTPUT CONNECTIONS

The following picture show the output connector and the pin assignment.

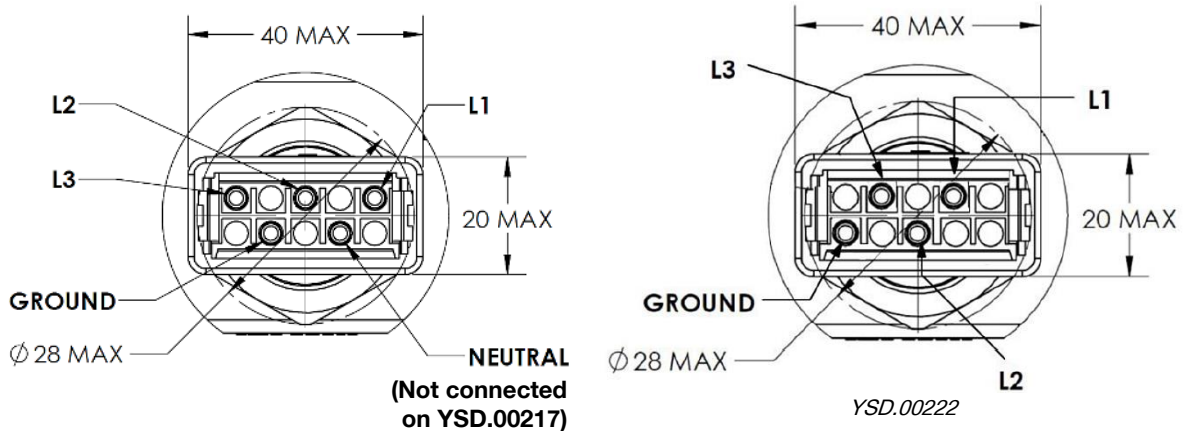


Figure 6. Female Positronic SP5YYE1F0091/AA

4. SAFETY, REGULATORY AND EMC SPECIFICATIONS

Safety certification has been performed in conjunction with specific system AC breaker types. In the field, the following circuit breakers PNs need to be alternatively used for upstream protection of the PDUs.

1. Merlin Gerin MGN61365 20A
2. Eaton C23 EMCH 332 32A
3. Square D QOU330 30A
4. Schneider C60 20A Multi 9 (UL489 File E215117/CSA No5 MC 179014

The table below summarizes the safety approval certificates.

PARAMETER	CONDITIONS / DESCRIPTION	MIN	NOM	MAX	UNITS
Agency Approvals	UL 62368-1 and CAN/CSA C22.2 No. 62368-1:19 CE Mark RoHS Compliant				
High-Pot Test	AC Input to Earth GND	2121			VDC

5. ENVIRONMENTAL SPECIFICATIONS

PARAMETER	CONDITIONS / DESCRIPTION	MIN	NOM	MAX	UNITS
Altitude	Operating			3000	m
	Non-Operating (without derating)			10000 15000 49000	ft m ft
Operating Ambient Temperature		-5		+45	°C
Storage Temperature		-40		+70	°C
Transportation Temperature	Short term storage, 72 hours	-55		+85	°C
Relative Humidity	Operating: Non-condensing	10		90	%
	Non-operating: 38.7°C maximum wet bulb temperature with no cosmetic damage	5		95	
Shock	Operating: 11 ms, 3 half-sine wave shocks, 3 axes			5	g
	Non-Operating: 2 ms, 6 half-sine wave shocks, 3 axes			140	
Sinusoidal Vibration	Operating: zero to peak, 10 to 500 Hz, 0.25 oct/min			0.25	g
	Non-Operating : zero-to-peak, 10 to 500 Hz, 0.5 oct/min			0.75	

6. MECHANICAL SPECIFICATIONS

PARAMETER	CONDITIONS / DESCRIPTION	MIN	NOM	MAX	UNITS
Dimensions (W x H x D)			248 x 45 x 121		mm

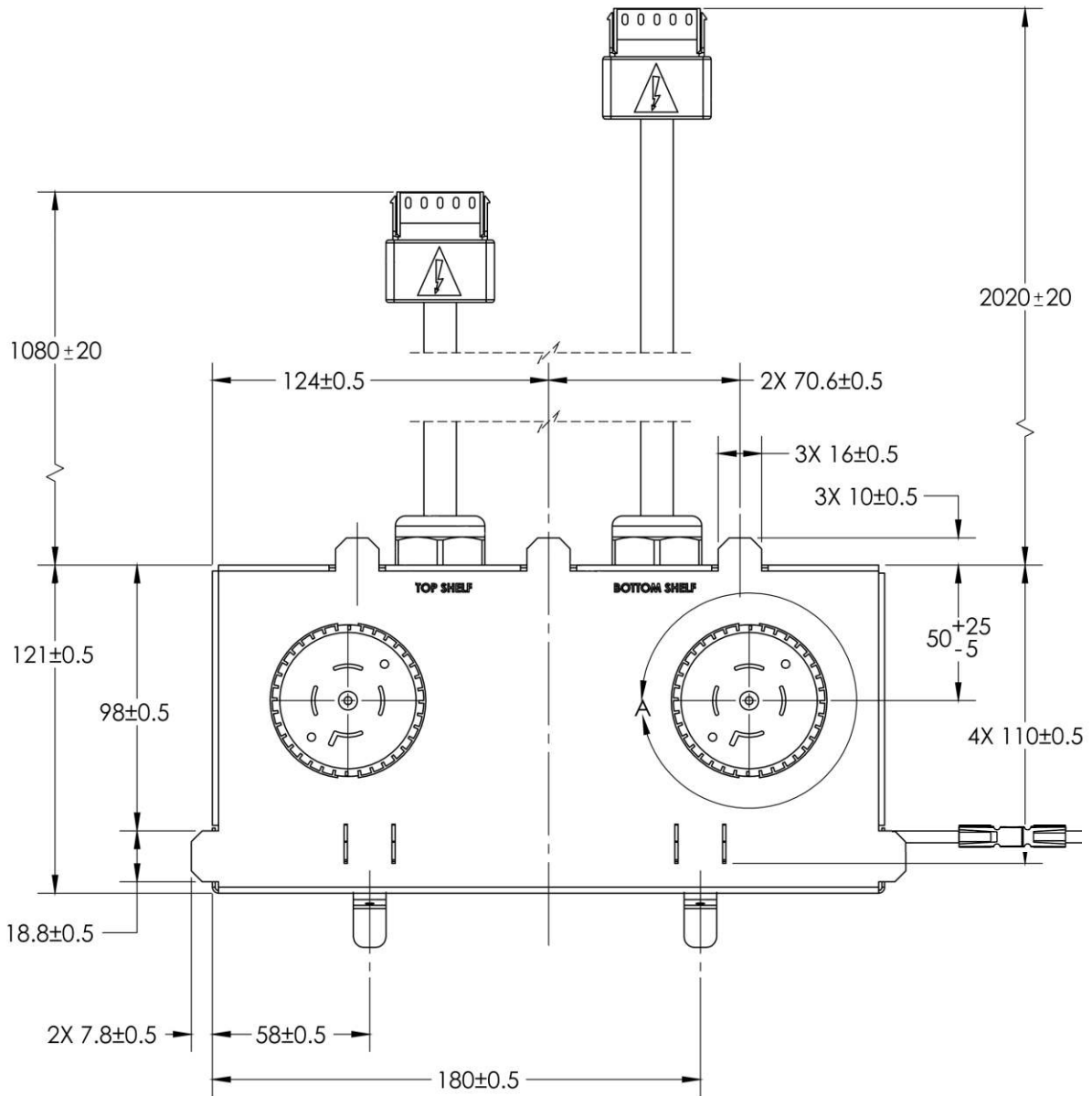


Figure 7. Dimension Drawing AC PDU (Top View) with 2 Input / 2 Output Connectors
(Models YSD.00162, YSD.00217, Connectors may vary)

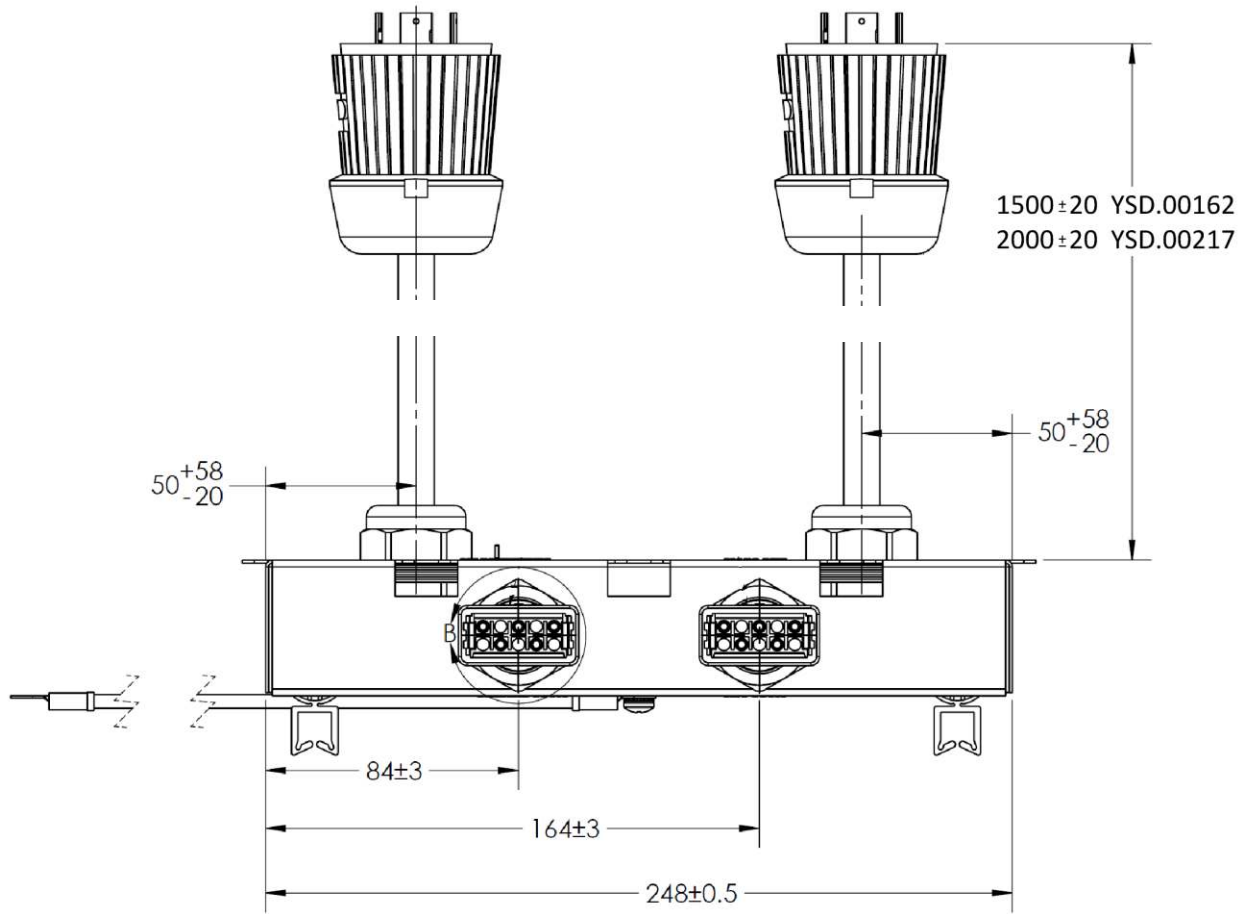


Figure 8. Dimension Drawing AC PDU (Side View) with 2 Input / 2 Output Connectors (Models YSD.00162, YSD.00217)

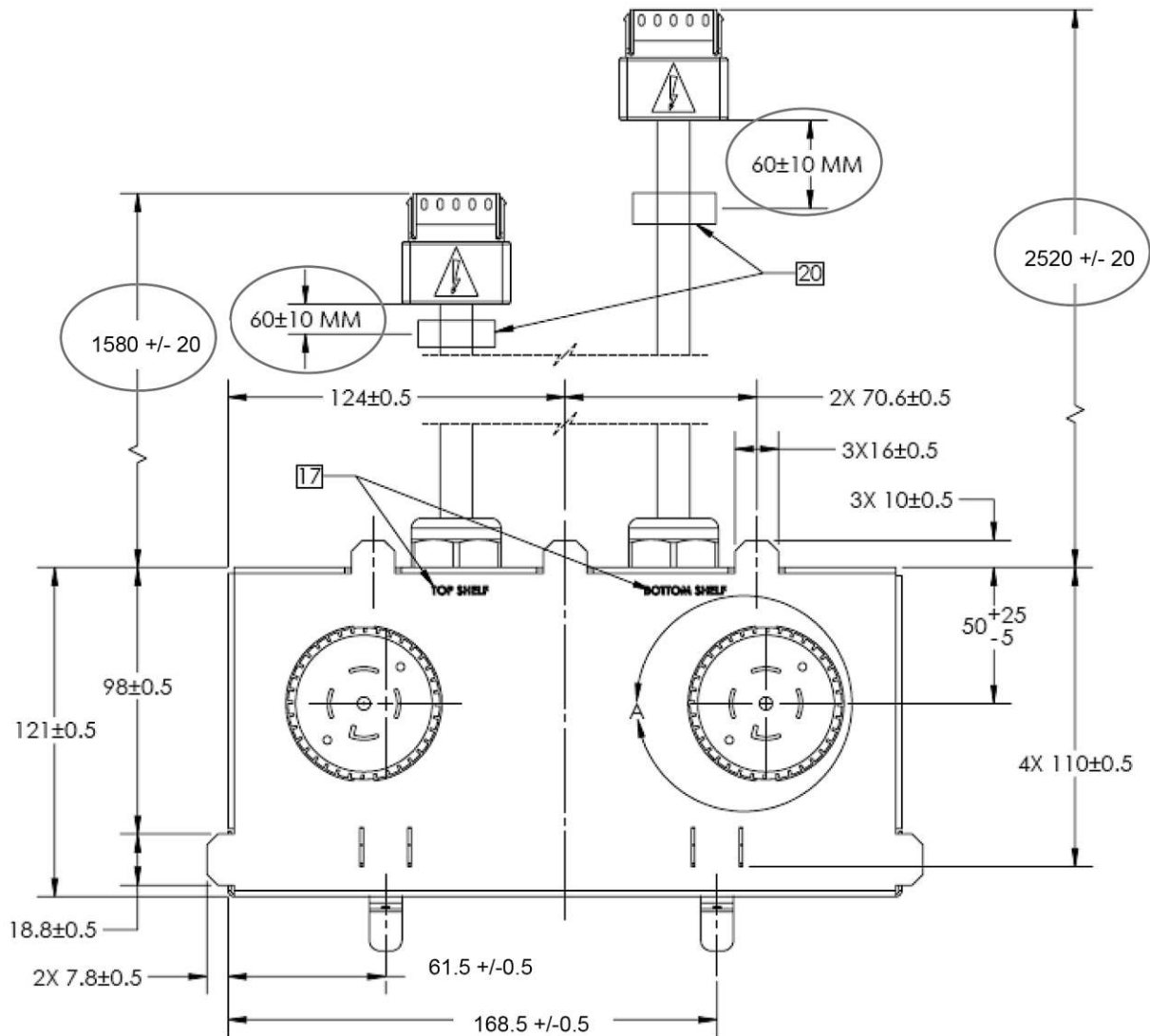


Figure 9. Dimension Drawing AC PDU (Top View) with 2 Input / 2 Output Connectors (Model YSD.00222)

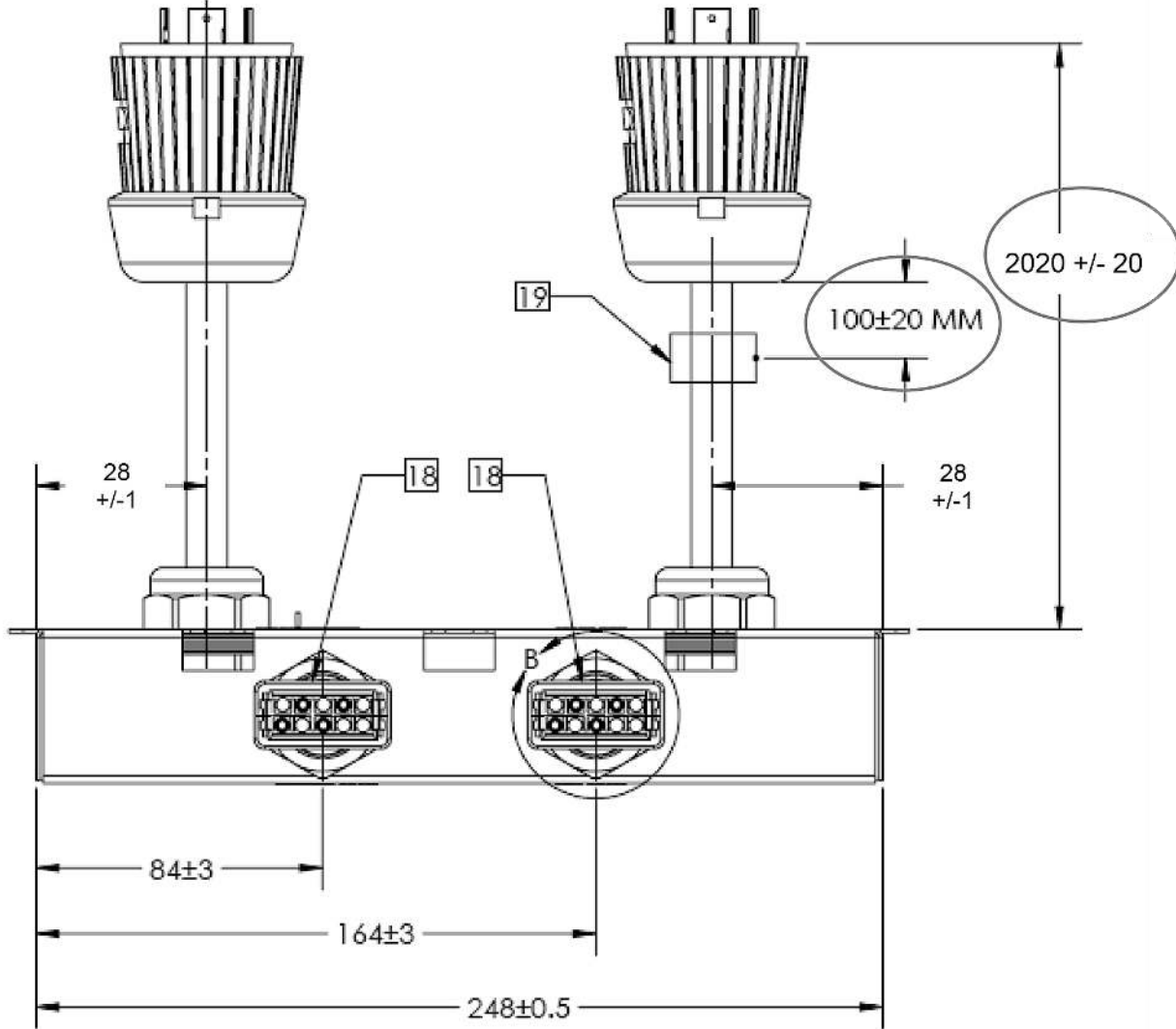


Figure 10. Dimension Drawing AC PDU (Side View) with 2 Input / 2 Output Connectors (Model YSD.00222)

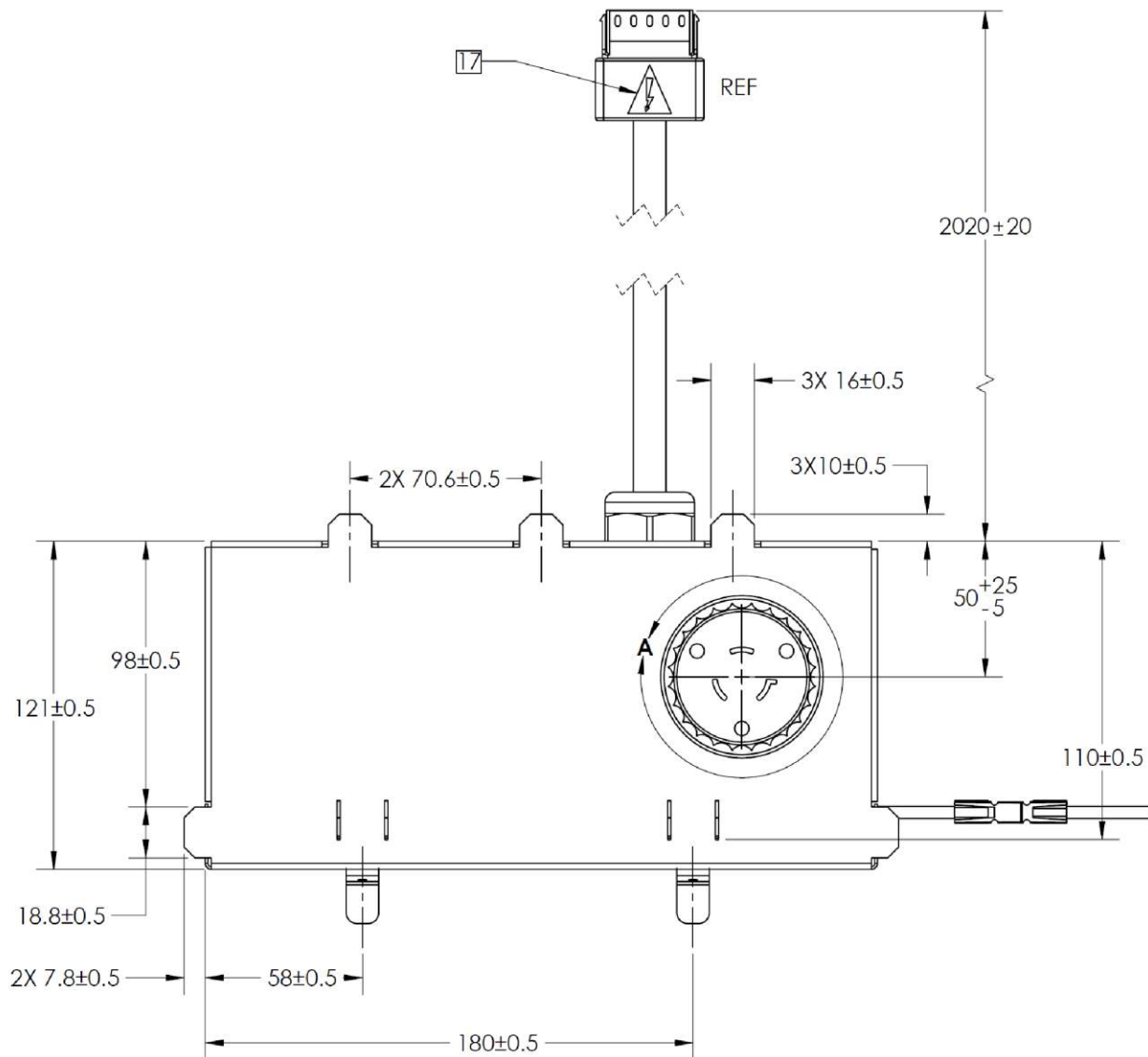


Figure 11. Dimension Drawing AC PDU (Top View) Model YSD.00219

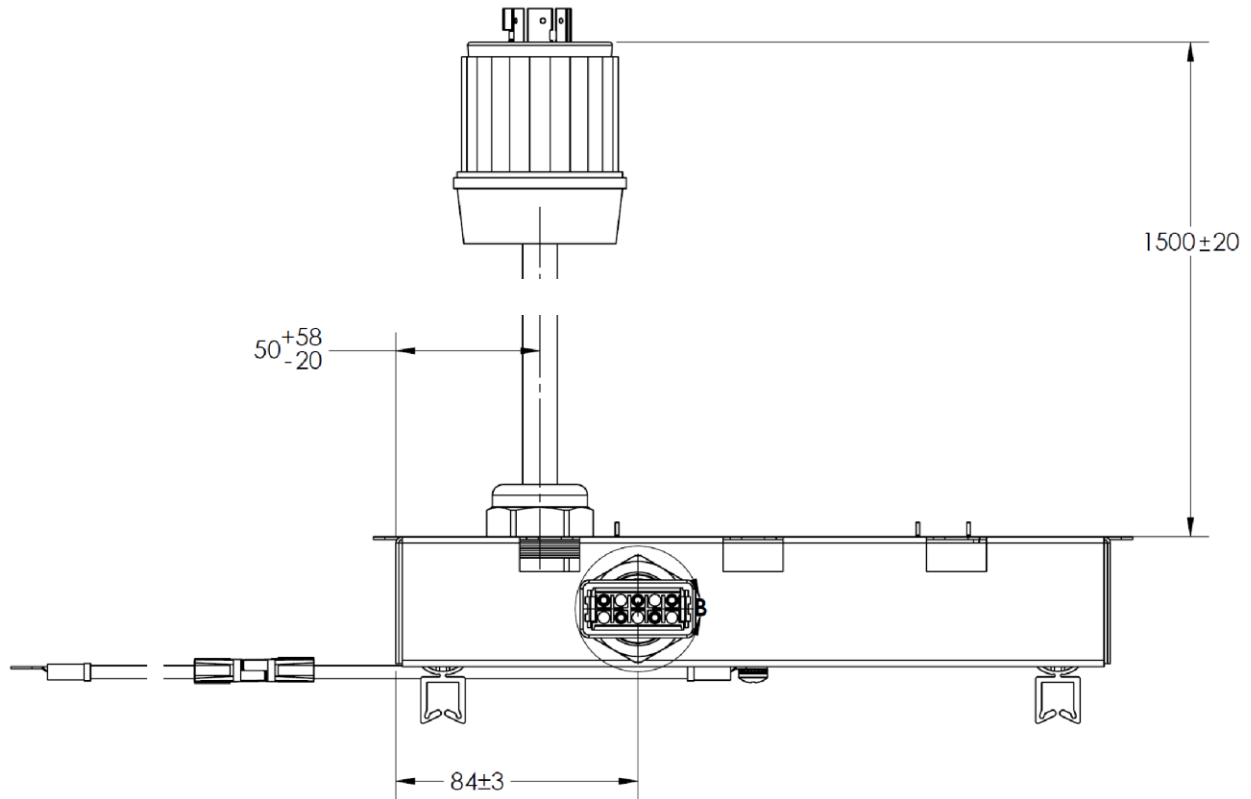


Figure 12. Dimension Drawing AC PDU (Side View) Model YSD.00219

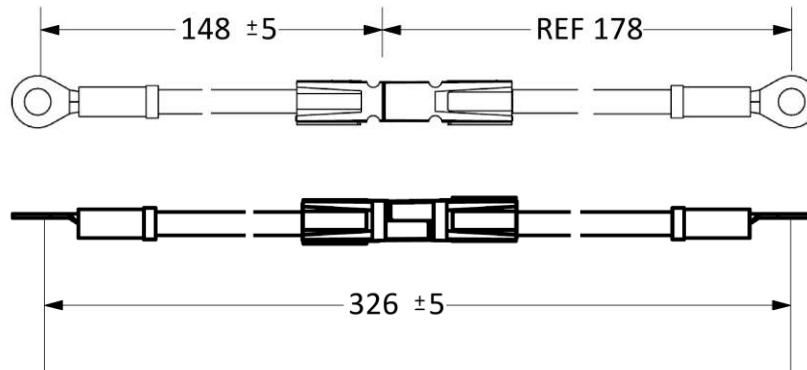


Figure 13. Ground Cable (10 AWG) on every PDU. Featuring 2 Ring Crimp for M5 screw

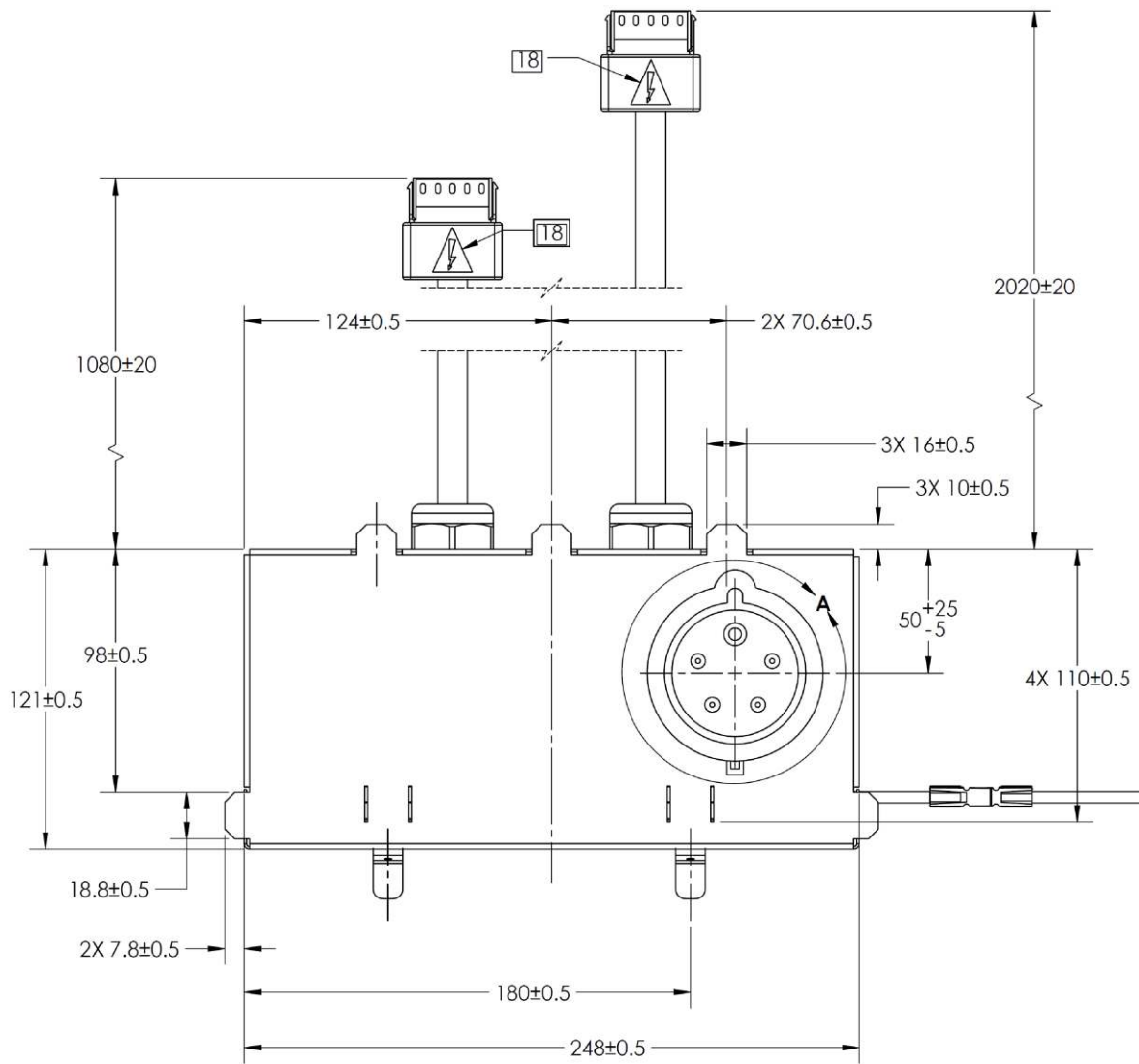


Figure 14. Dimension Drawing AC PDU (Top View) Model YSD.00152

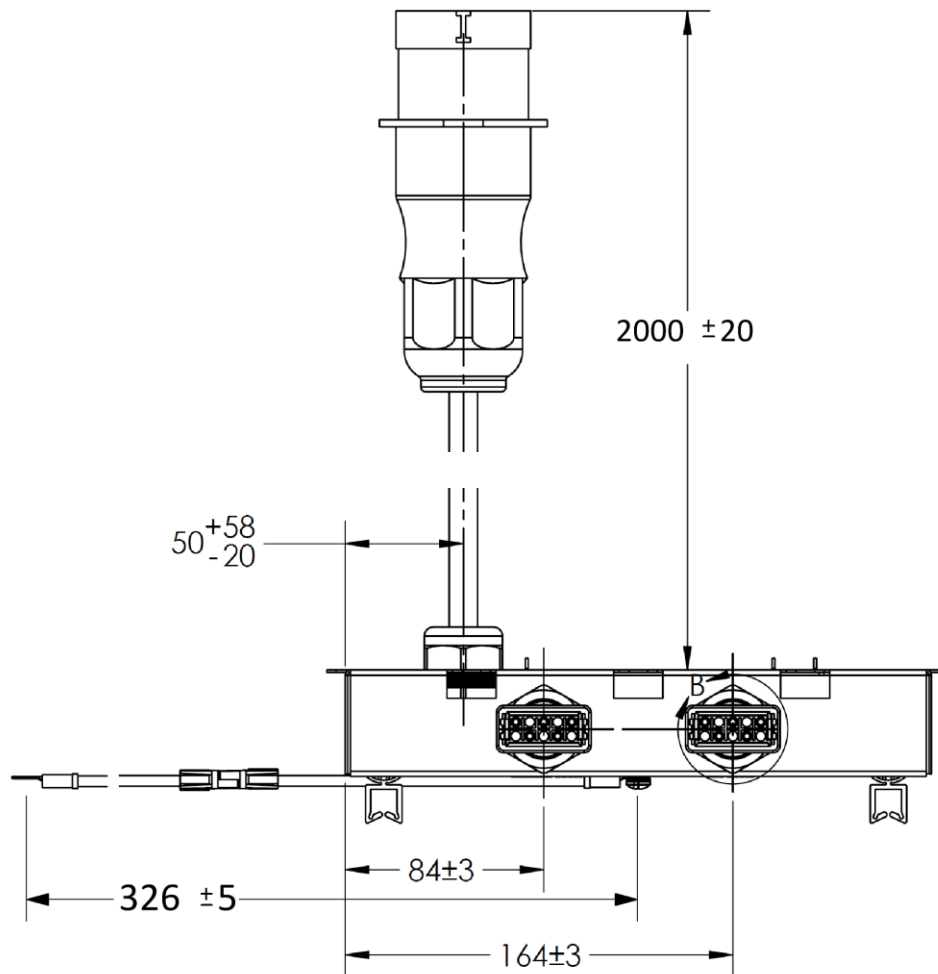


Figure 15. Dimension Drawing AC PDU (Side View) Model YSD.00152

For more information on these products consult: tech.support@psbel.com

NUCLEAR AND MEDICAL APPLICATIONS - Products are not designed or intended for use as critical components in life support systems, equipment used in hazardous environments, or nuclear control systems.

TECHNICAL REVISIONS - The appearance of products, including safety agency certifications pictured on labels, may change depending on the date manufactured. Specifications are subject to change without notice.