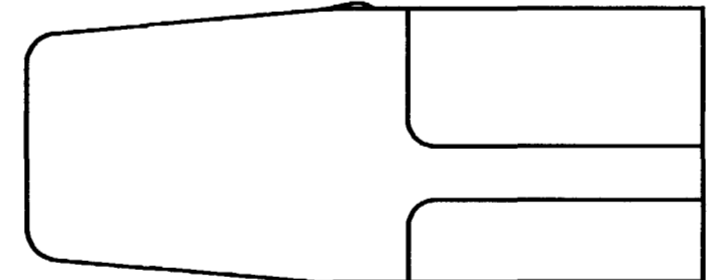
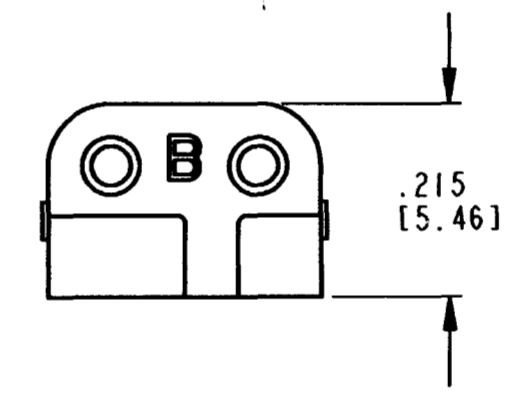
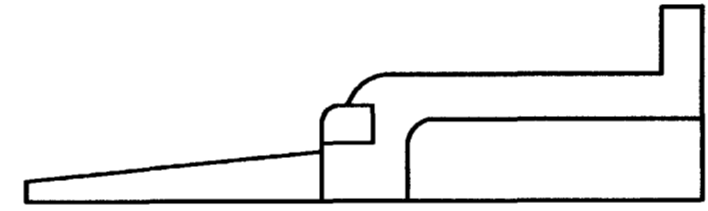
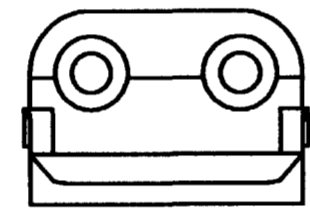
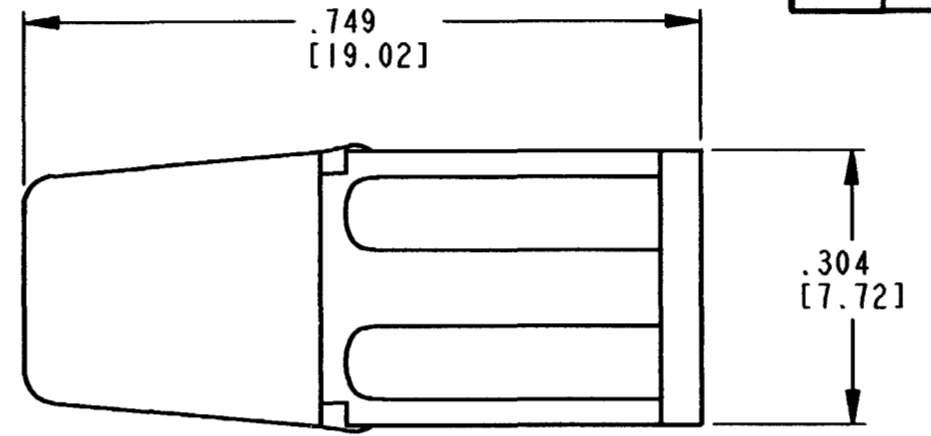


REV
B WM-2SB

REVISIONS			
SYM	DESCRIPTION	DATE	APPROVED
NC	NEW RELEASE PER E.O. P15181	1-7-97	R.D.R.
A	REDRAWN & REVISED PER E.O. P19420	12/11/06	R.D.R.
B	REVISED PER E.O. P19965	8-8-08	RDR



- (B1) 4. THIS WEDGE LOCK MATES WITH DTM06-2S-**** PLUG (**** = ALL MODIFICATIONS).
3. MATERIAL: PLASTIC; COLOR: BLACK.
2. DIMENSION TOLERANCE: $\pm .025$ [.64].
1. DIMENSIONS ARE IN INCHES [mm].
- NOTES: UNLESS OTHERWISE SPECIFIED

SIGNATURE & DATE	
DR	J. APOSTOL 21 NOV 2006
CHK	[Signature] 8/8/08
PE	D. Whitacre 8/1/08
APPD	[Signature] 8/1/08
SCALE	NONE DT

WEDGE LOCK
2 CONTACTS
PLUG HOUSING
DTM SERIES

ENVELOPE

EP	MATL. CODE
3850 INDUSTRIAL AVE. HEMET, CA 92545	
B	WM-2SB
DWG SIZE	CODE 11139 SHEET 1 OF 1