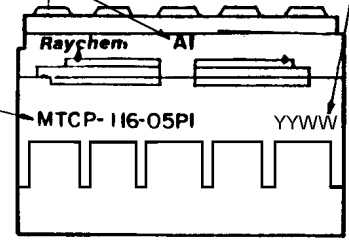


| REVISIONS | | | |
|-----------|--|-----------|----------|
| LTR | DESCRIPTION | DATE | APPROVED |
| B | RELEASED FOR PRODUCTION PER ECN T-013274 | 89 Nov 29 | B |
| C | REVISE PER DCR# T-22766 | 4/16/99 | M.HIGGY |

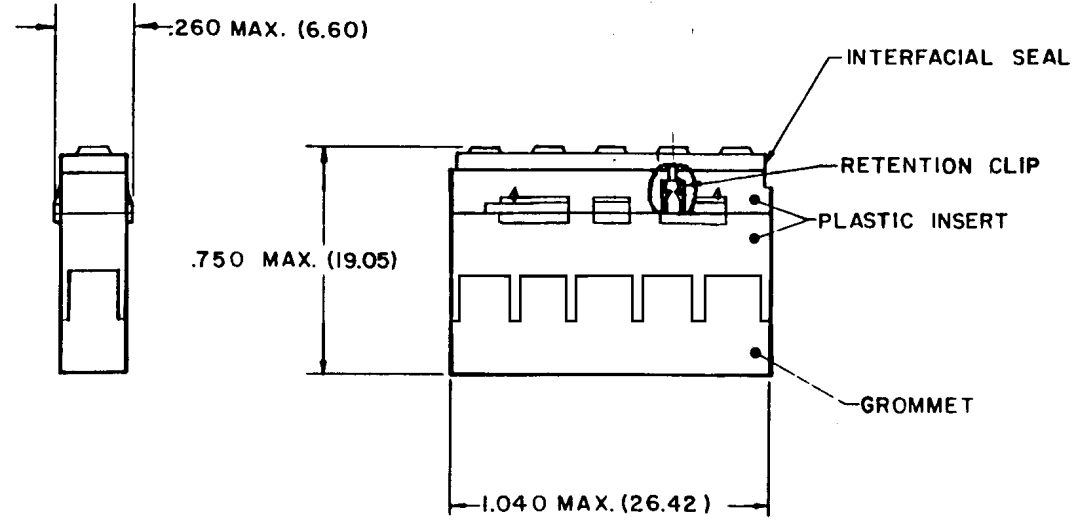
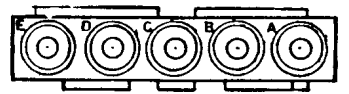


1. HOUSING ORIENTATION KEY

DATE CODE



RAYCHEM PART NO.



NOTES

- THIS INSERT IS DESIGNED FOR USE IN RAYCHEM CONNECTOR HOUSINGS MTC 100-JH1-XXX OR MTC 100-JH2-XXX (SEE RAYCHEM INFORMATION DRAWING D-659-0097 AND HOUSING SCD'S FOR FURTHER DETAILS)
- USE MIL-C-38999 SERIES 2 SIZE 16 CONTACTS OR EQUIVALENT. REFERENCE D-659-0097 FOR INSERTION/REMOVAL TOOLS, SEALING PLUGS AND CRIMP TOOLS WHEN APPLICABLE. THESE COMPONENTS ARE TO BE ORDERED SEPARATELY.
- GROMMET DESIGNED TO SEAL ON WIRES HAVING AN INSULATION DIAMETER OF .065 IN. (1.65 MM) TO .109 IN. (2.77 MM)
- PERFORMANCE:
THIS PRODUCT MEETS THE REQUIREMENTS OF RAYCHEM SPECIFICATION D-6115
- MATERIALS:
 A) PLASTIC INSERT HIGH GRADE POLYARYLENE THERMOPLASTIC
 B) GROMMET FLUROSILICONE PER MIL-R-25988
 C) INTERFACIAL SEAL FLUROSILICONE PER MIL-R-25988
 D) RETENTION CLIP BERYLLIUM COPPER 172 PER QQ-C-533

6. WEIGHT: 0.007 lbs [2.980 Grams] MAXIMUM.

If this document is printed it becomes uncontrolled. Check with the web for latest revision.

SPECIFICATION CONTROL DRAWING

| | | | | | |
|--|------------------------|--|-----------------|---|----|
| DRAWN | ALEXANDER | Raychem | | RAYCHEM CORPORATION 300 CONSTITUTION DRIVE MENLO PARK, CALIFORNIA 94025 | |
| CHECKED | B | | | | |
| APPROVED | <i>Plain</i> 10-12-84 | TITLE INSERT, PIN, PRIMARY 5 #16 CAVITIES POWER BLOCK CONNECTOR TEMPERATURE RATING 125°C MTC SERIES | | | |
| APPROVED | <i>Lamora</i> 10-24-81 | | | | |
| CAD NAME: T22766.TIF | | SIZE | CODE IDENT. NO. | DWG. NO. | |
| UNLESS OTHERWISE SPECIFIED DIMENSIONS ARE IN INCHES. METRIC DIMENSIONS ARE IN PARENTHESIS | | B | 06090 | MTCP-116-05PI | |
| | | | | C | |
| DO NOT SCALE THIS DRAWING | | WEIGHT | SHEET | | OF |